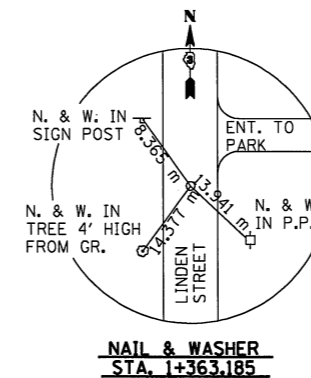
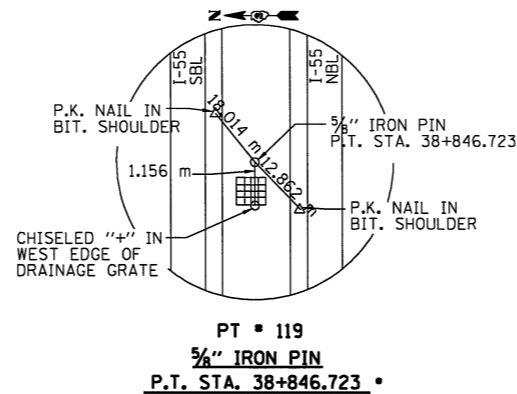
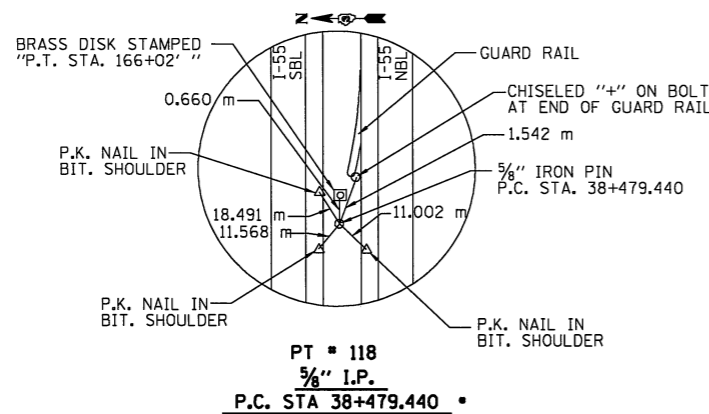
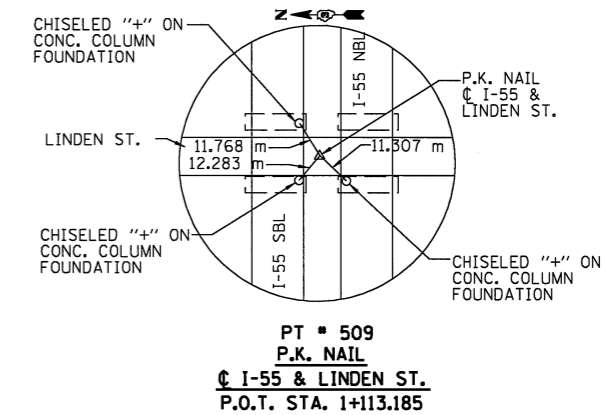
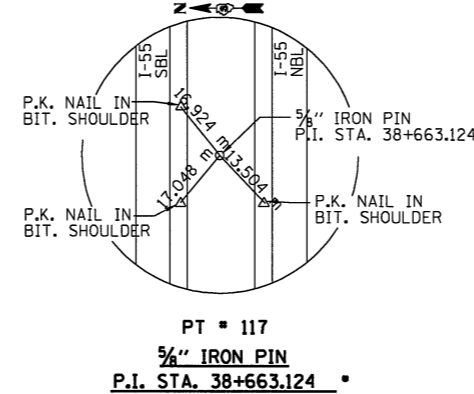
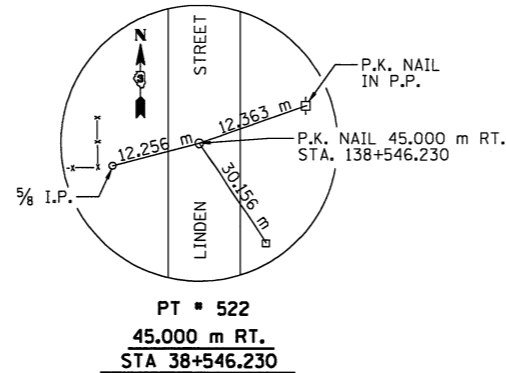
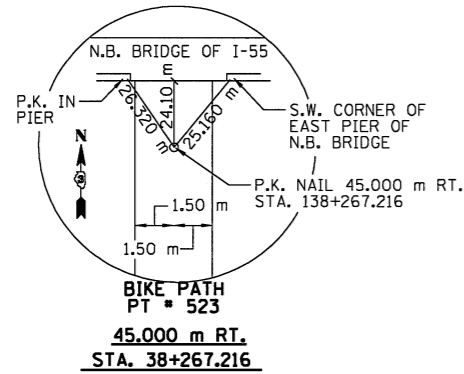
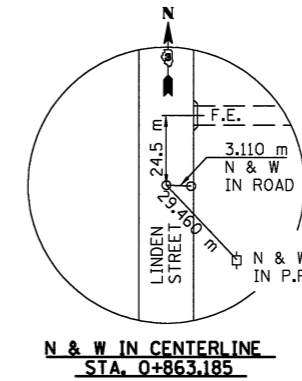
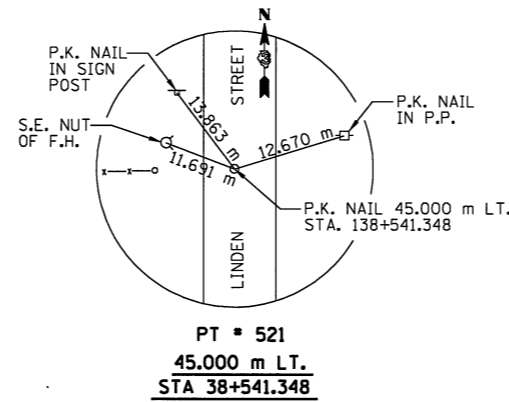
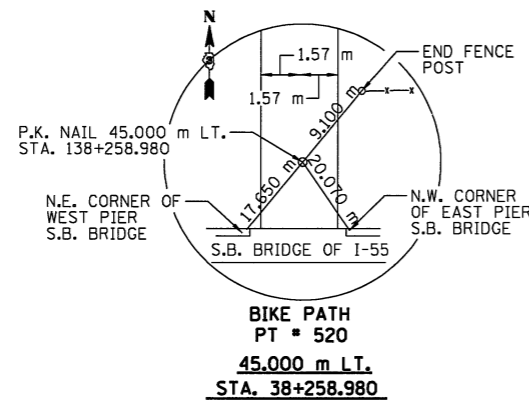


F.A.I. RTE.	SECTION	COUNTY	TOTAL SHEETS	SHEET NO.
55	*	MCLEAN	310	38
FED. ROAD DIST. NO. ILLINOIS		FED. AID PROJECT		
* (57-4)R, HBY, HBR, (57-4)BIDM		CONTRACT #70757		



NOTE: CROSS TIE DIMENSIONS SHALL BE CHECKED IN ORDER TO INSURE PROPER LOCATION. SEVERAL CONCRETE MONUMENTS MAY BE FOUND NEAR ACTUAL CROSS TIES AND SHALL BE DISREGARDED.

ILLINOIS DEPARTMENT OF TRANSPORTATION  
F.A.I. 55  
SECTION (57-4)R, HBY, HBR, (57-4)BIDM  
MCLEAN COUNTY  
**CROSS TIES**

REVISIONS	
NAME	DATE

JOB NO. 94S2063  
DATE 4/13/2009  
**HANSON**

\* PERPETUATE WITH PERMANENT SURVEY MARKER

4/13/2008	JH	22/06/02
05/07/04	JH	05/07/04
05/27/04	DLH	05/27/04