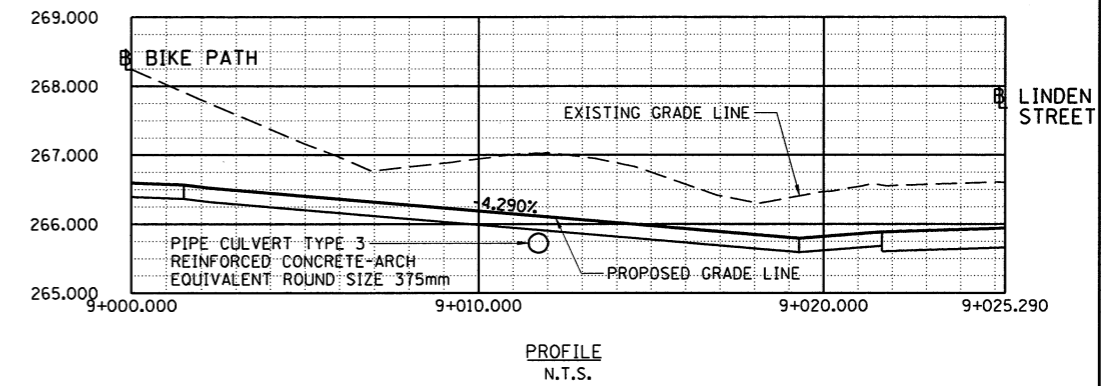


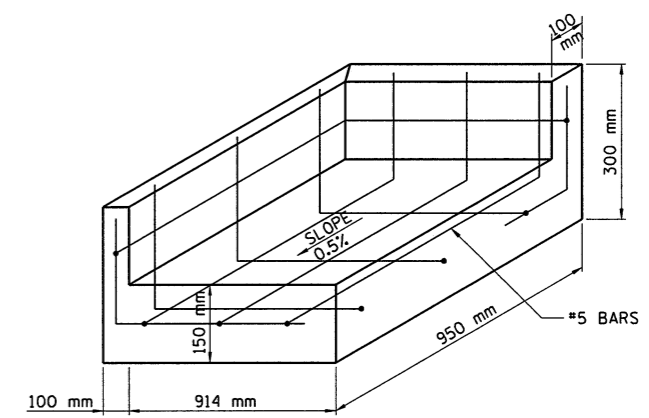
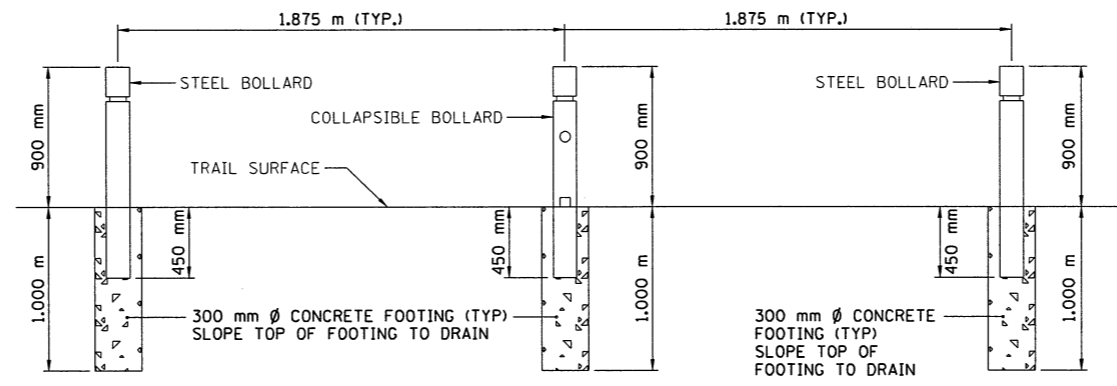
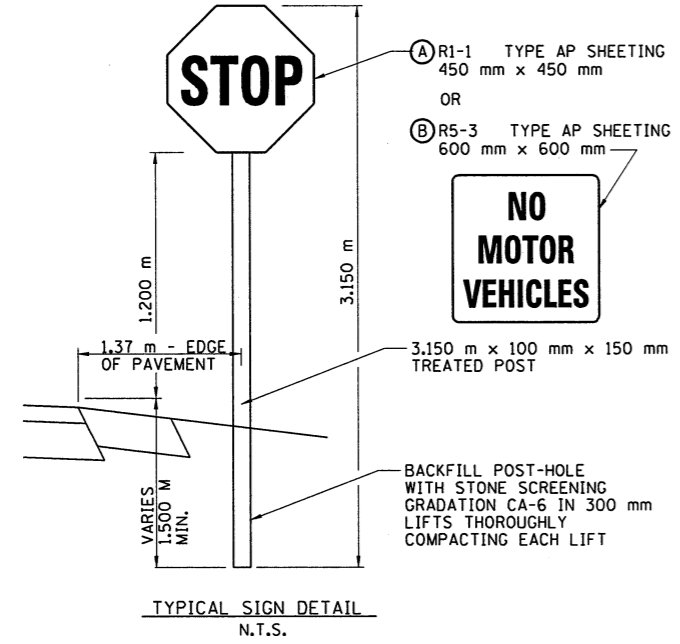
- LEGEND**
- ① 50 mm HOT-MIX ASPHALT SURFACE COURSE, IL 9.5L
  - ② 150 mm AGGREGATE BASE COURSE, TYPE A, M TON
  - ③ 150 mm AGGREGATE SHOULDER, TYPE B, M TON



**TRAILHEAD CURVE**

PI STA	9+010.512
Δ =	50°05'51" (RT)
R =	12.000 m
T =	5.608 m
L =	10.492 m
E =	1.246 m
e =	NONE

	STATION	NORTHING	EASTING
PI	9+000.000	430044.640	244897.330
PC	9+004.903	430048.463	244900.401
PT	9+015.396	430052.947	244909.519
PI	9+025.260	430053.143	244919.412



\* NOTE:  
 COLLAPSIBLE BOLLARD MUST BE INSTALLED TO ALLOW FOR RESTING ON FINISH GRADE WHEN COLLAPSED.  
 SEE MANUFACTURER'S INSTRUCTIONS FOR INSTALLATION OF COLLAPSIBLE BOLLARD.

**REVISIONS**

NAME	DATE

ILLINOIS DEPARTMENT OF TRANSPORTATION  
 F.A.I. 55  
 SECTION (57-4)R, HBY, HBR, (57-4)B)DM  
 MCLEAN COUNTY

**BIKE PATH TRAILHEAD PLAN**

REVISIONS

**HANSON**

JOB NO. 94S2063  
 DATE 7/25/2009

7/25/2009 #FILE#

REVISED	DATE	BY	REASON