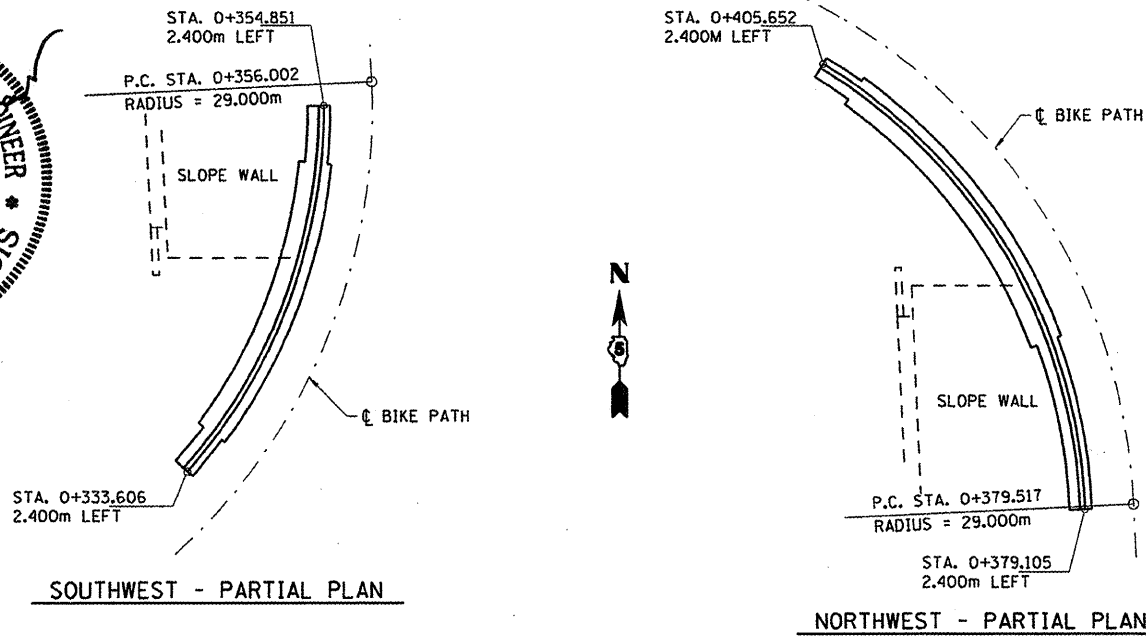


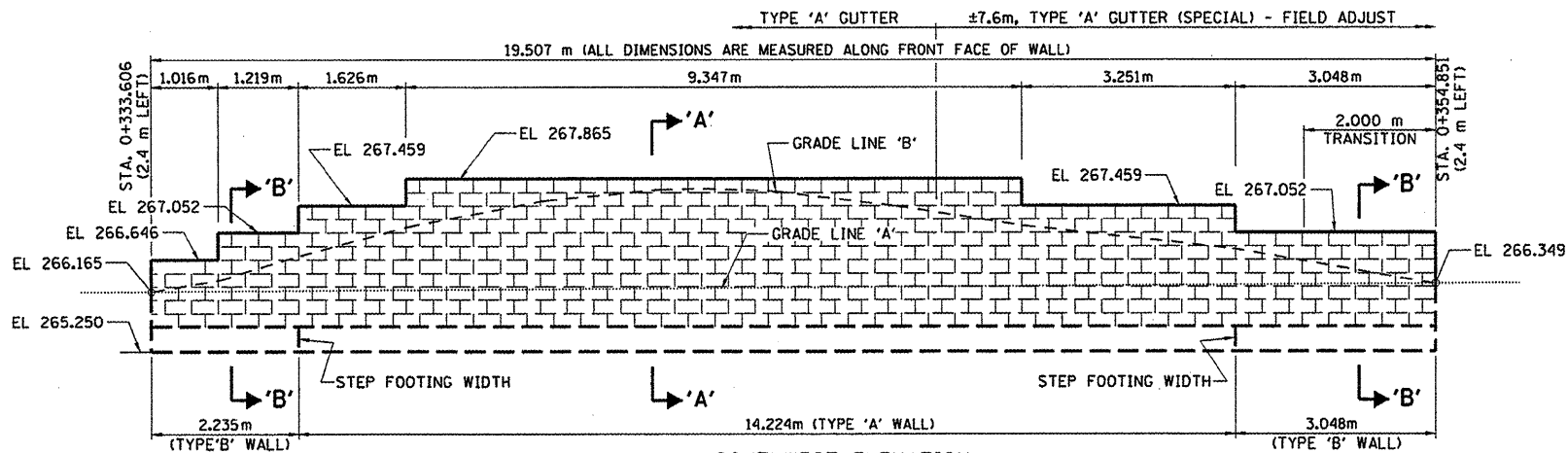
9/28/09
Lic. Exp. 11/30/10



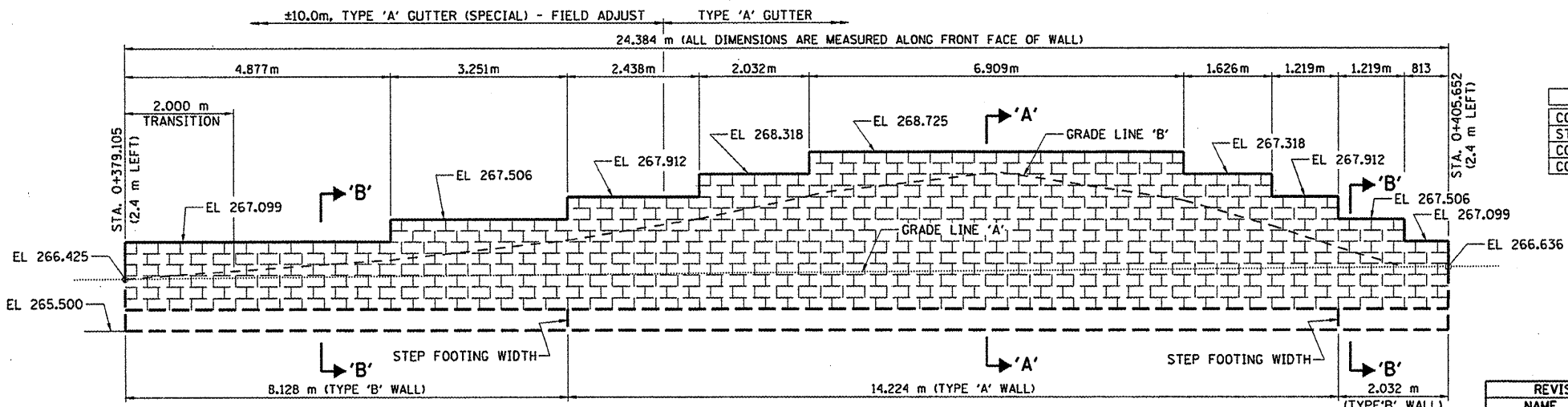
F.A.I. R.T.E.	SECTION	COUNTY	TOTAL SHEETS	SHEET NO.
55	*	MCLEAN	310	62
FED. ROAD DIST. NO. ILLINOIS		FED. AID PROJECT		
* (57-4)R, HBY, HBR, (57-4)B)DM		CONTRACT #70757		

GENERAL NOTES

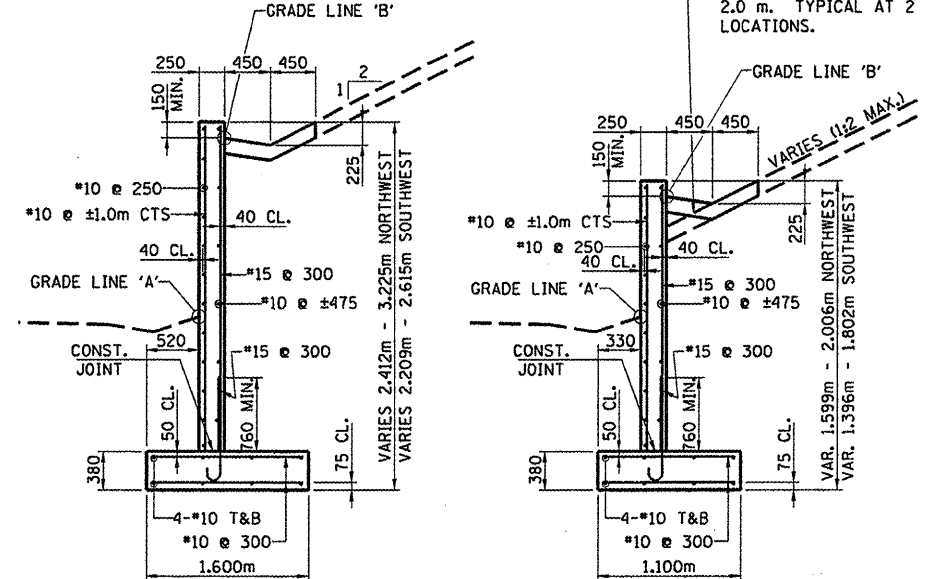
1. THE FRONT FACE OF THE RETAINING WALL SHALL RECEIVE A SPLIT FACED CONCRETE BLOCK FORM TEXTURING PATTERN OF NOMINAL DIMENSIONS. ALL STEPS SHALL BE AT NOMINAL BLOCK JOINT PATTERN LOCATIONS AS SHOWN.
2. REINFORCEMENT BARS SHALL CONFORM TO THE REQUIREMENTS OF AASHTO M-31M, M-42M OR M-53M, GRADE 420.
3. ALL REINFORCEMENT BARS SHALL BE EPOXY COATED.
4. THE COST OF REINFORCEMENT AND SPLIT FACED TEXTURING SHALL BE INCLUDED WITH THE QUANTITY, CONCRETE RETAINING WALL, SPECIAL.
5. ALL DIMENSIONS ARE IN MILLIMETERS (MM) EXCEPT AS NOTED.
6. CONCRETE SHALL CONFORM TO THE REQUIREMENTS OF "CLASS SI CONCRETE".



SOUTHWEST ELEVATION
(LOOKING AT FRONT FACE)



NORTHWEST ELEVATION
(LOOKING AT FRONT FACE)



TYPICAL WALL SECTION - TYPE 'A' **TYPICAL WALL SECTION - TYPE 'B'**

BILL OF MATERIALS

ITEM	UNIT	TOTAL
CONCRETE RETAINING WALL	SO. M.	87.2
STRUCTURE EXCAVATION, RETAINING WALL	CU. M.	192.0
CONCRETE GUTTER, TYPE A (SPECIAL)	METER	17.6
CONCRETE GUTTER, TYPE A	METER	26.3

REVISIONS	
NAME	DATE

ILLINOIS DEPARTMENT OF TRANSPORTATION
F.A.I. 55
SECTION (57-4)R, HBY, HBR, (57-4)B)DM
MCLEAN COUNTY

**BIKE PATH RETAINING WALL
DETAILS**

HANSON

94S2063
6/27/2009

DATE	BY	CHKD
07/11/09	JH	
07/15/09	JH	
07/29/09	JH	
08/12/09	JH	