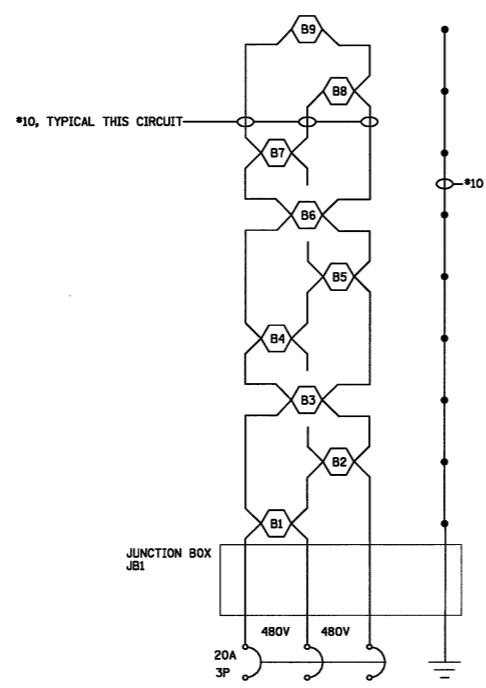
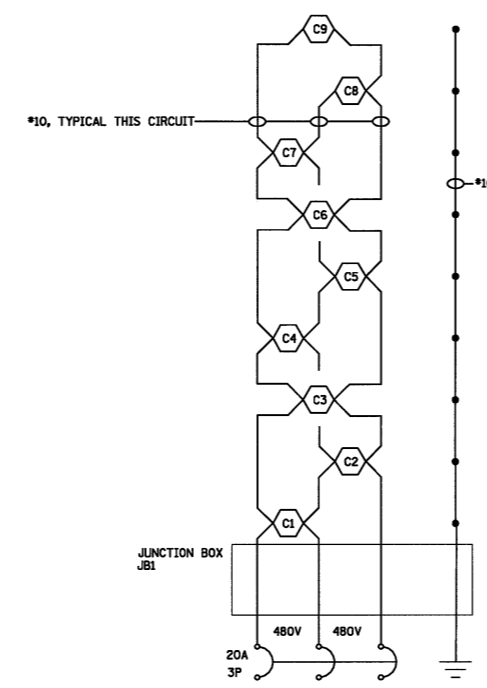


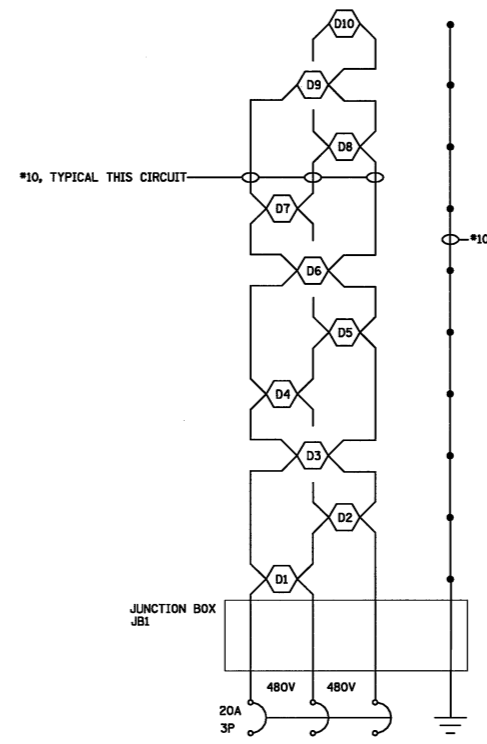
CKT A



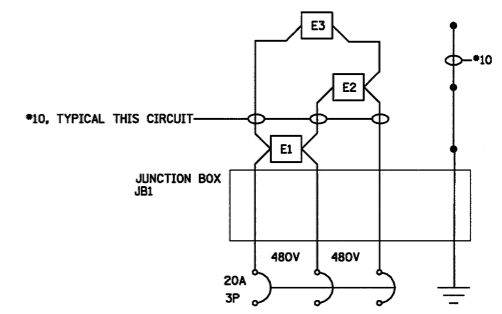
CKT B



CKT C



CKT D



CKT E

NOTES:

1. ALL NECESSARY REVISIONS TO THE WIRING SHOWN ON THIS SHEET SHALL BE MADE AT NO ADDITIONAL COST TO THE DEPARTMENT AND TO THE SATISFACTION OF THE ENGINEER.
2. JUNCTION BOXES FEEDING INDIVIDUAL LUMINAIRES ARE NOT SHOWN.

CONDUIT RUN	CKT	ELECTRIC CABLE	LENGTH (M)
1	A	3-1/C #10	92
	B	3-1/C #10	88
	GND.	1/C #10	92
2	C	3-1/C #10	87
	D	3-1/C #10	90
	E	3-1/C #10	82
	GND.	1/C #10	90

- 400W TUNNEL LUMINAIRE
- 150W TUNNEL LUMINAIRE
- JUNCTION BOX

WIRING DIAGRAMS (NB)

(1 OF 2)

REVISIONS	
NAME	DATE

TUNNEL LIGHTING  
CIRCUIT DIAGRAM  
NORTHBOUND (1 OF 2)

JOB NO.	94S2063
DATE	8/21/2009

8/21/2009  
 #FILE\*  
 LAYOUT  
 DRAWN JAH  
 REVIEWED DLH 03/18/04