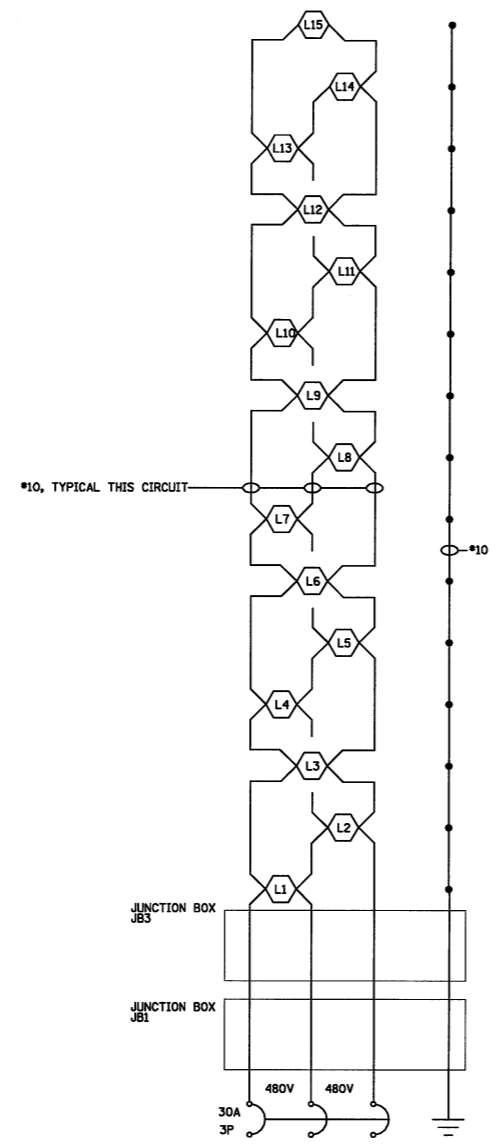
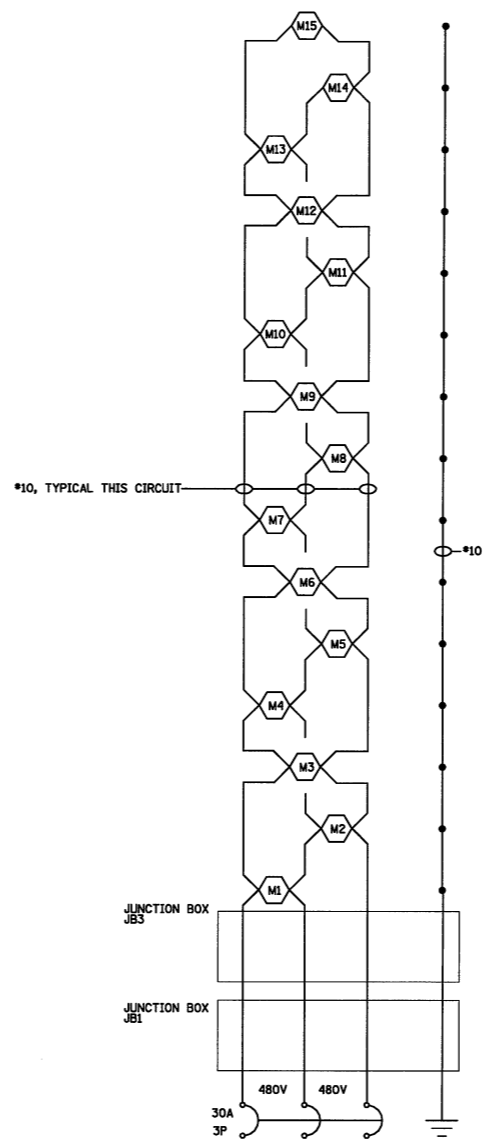


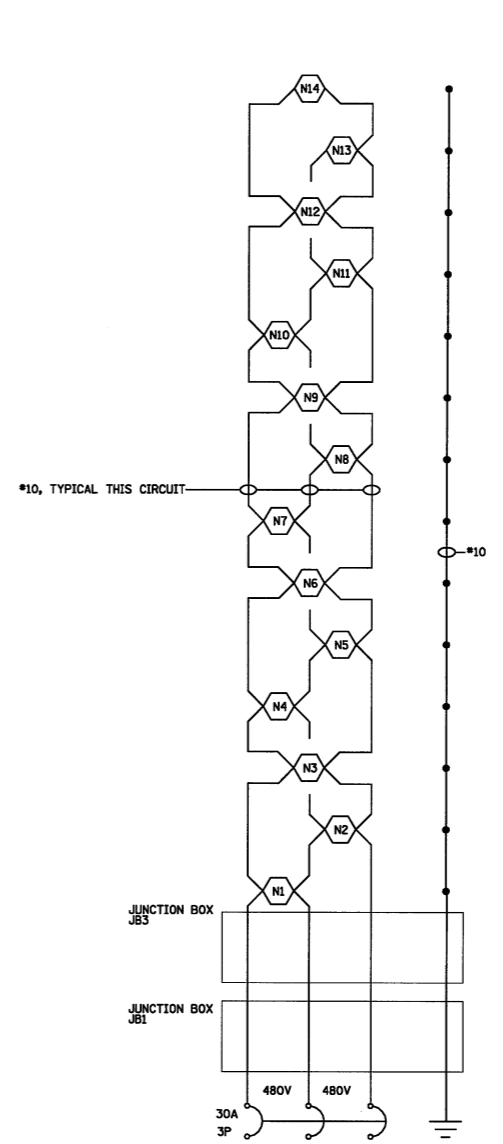
CKT K



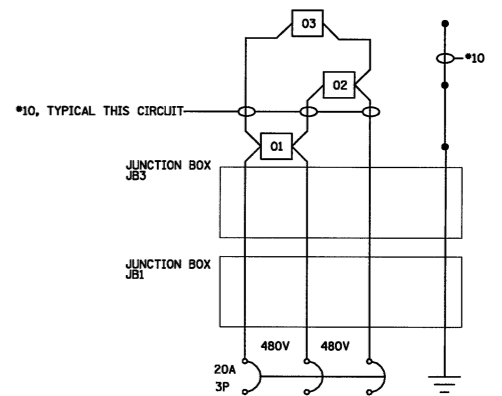
CKT L



CKT M



CKT N



CKT O

NOTES:

- ALL NECESSARY REVISIONS TO THE WIRING SHOWN ON THIS SHEET SHALL BE MADE AT NO ADDITIONAL COST TO THE DEPARTMENT AND TO THE SATISFACTION OF THE ENGINEER.
- JUNCTION BOXES FEEDING INDIVIDUAL LUMINAIRES ARE NOT SHOWN.

- 400W TUNNEL LUMINAIRE
- 150W TUNNEL LUMINAIRE
- JUNCTION BOX

CONDUIT RUN	CKT	ELECTRIC CABLE	LENGTH (M)
5	K	3-1/C #10	109
	L	3-1/C #10	112
	GND.	1/C #10	112
6	M	3-1/C #10	111
	N	3-1/C #10	108
	O	3-1/C #10	102
	GND.	1/C #10	111

WIRING DIAGRAMS (SB)

(1 OF 2)

REVISIONS	
NAME	DATE

TUNNEL LIGHTING  
CIRCUIT DIAGRAM  
SOUTHBOUND (1 OF 2)

JOB NO. 94S2063

DATE 8/21/2009

8/21/2009  
 #FILE#  
 LAYOUT: JAH  
 DRAWN: JAH  
 REVIEWED: DLH 03/18/04