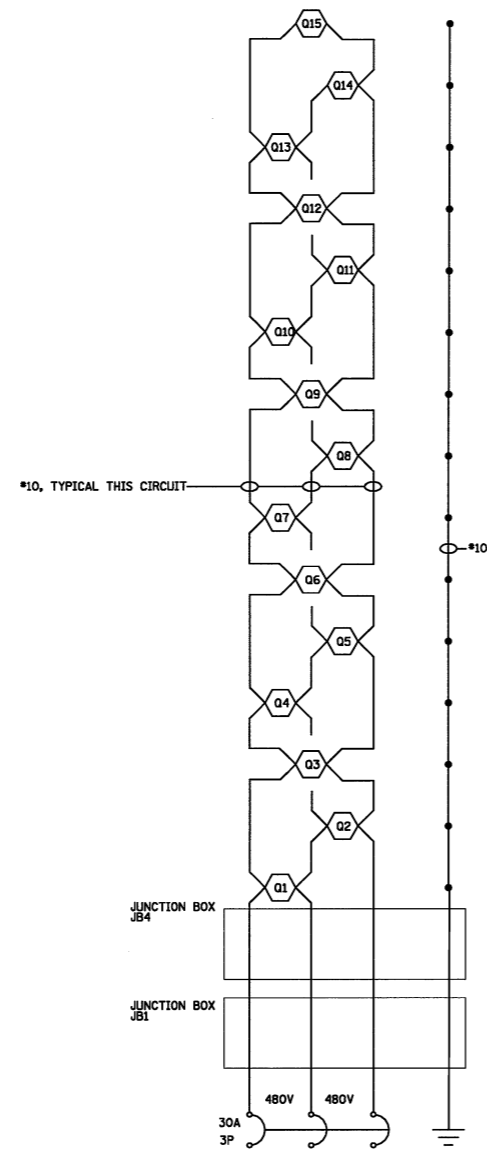
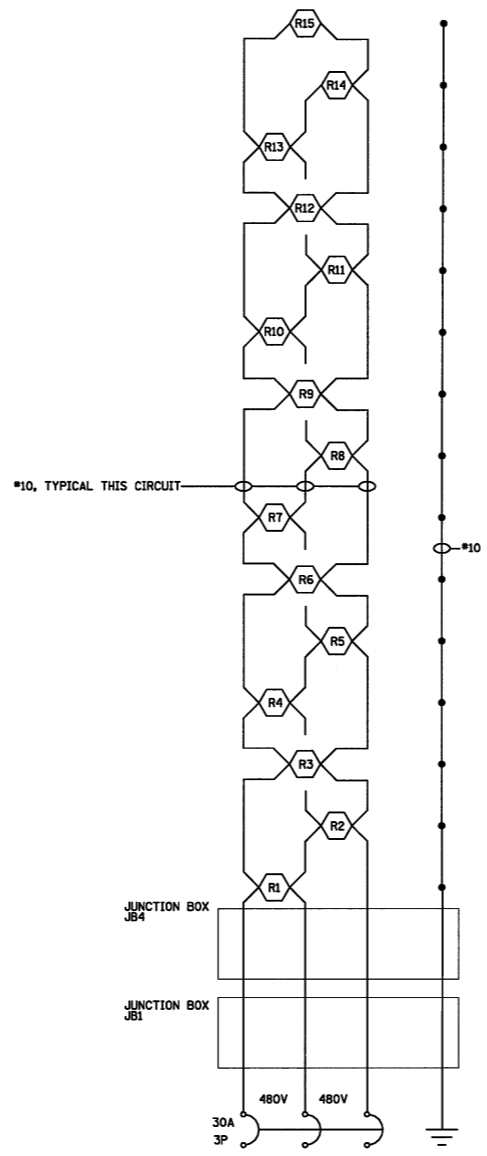


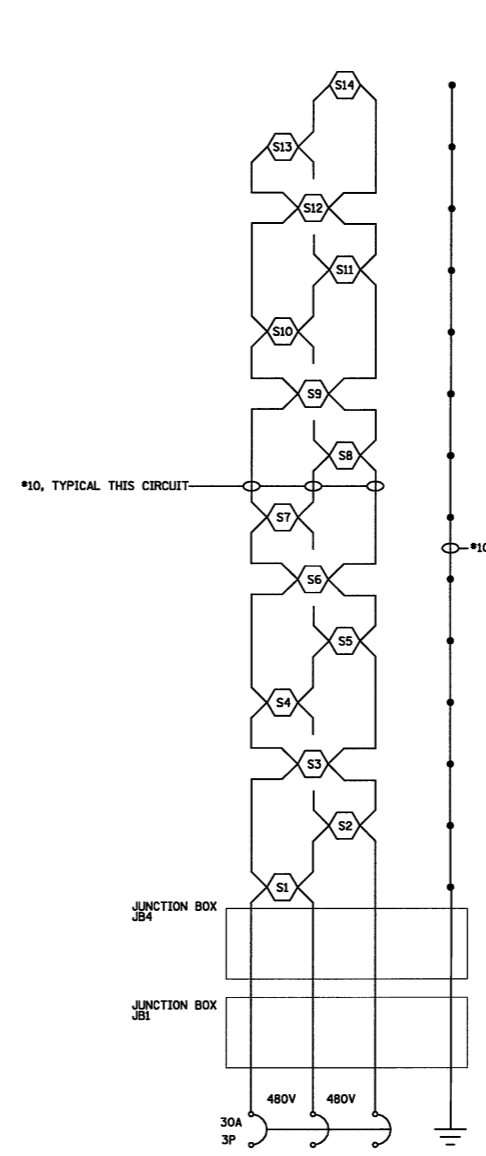
CKT P



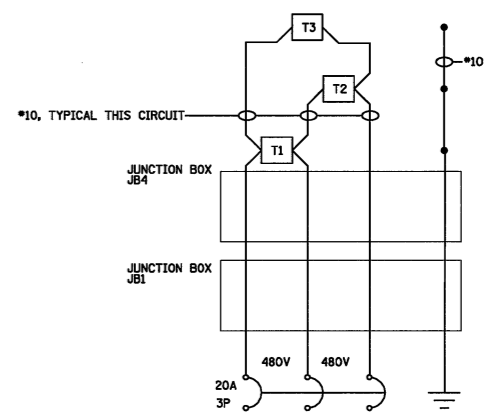
CKT Q



CKT R



CKT S



CKT T

NOTES:

- ALL NECESSARY REVISIONS TO THE WIRING SHOWN ON THIS SHEET SHALL BE MADE AT NO ADDITIONAL COST TO THE DEPARTMENT AND TO THE SATISFACTION OF THE ENGINEER.
- JUNCTION BOXES FEEDING INDIVIDUAL LUMINAIRES ARE NOT SHOWN.

- 400W TUNNEL LUMINAIRE
- 150W TUNNEL LUMINAIRE
- JUNCTION BOX

CONDUIT RUN	CKT	ELECTRIC CABLE	LENGTH (M)
7	P	3-1/C #10	126
	Q	3-1/C #10	129
	GND.	1/C #10	129
8	R	3-1/C #10	128
	S	3-1/C #10	125
	T	3-1/C #10	119
	GND.	1/C #10	128

WIRING DIAGRAMS (SB)

(2 OF 2)

TUNNEL LIGHTING
CIRCUIT DIAGRAM
SOUTHBOUND (2 OF 2)

REVISIONS	
NAME	DATE

JOB NO. 94S2063

DATE 8/21/2009

LAYOUT	JRH	03/18/04
DRAWN	JRH	
REVIEWED	DCH	