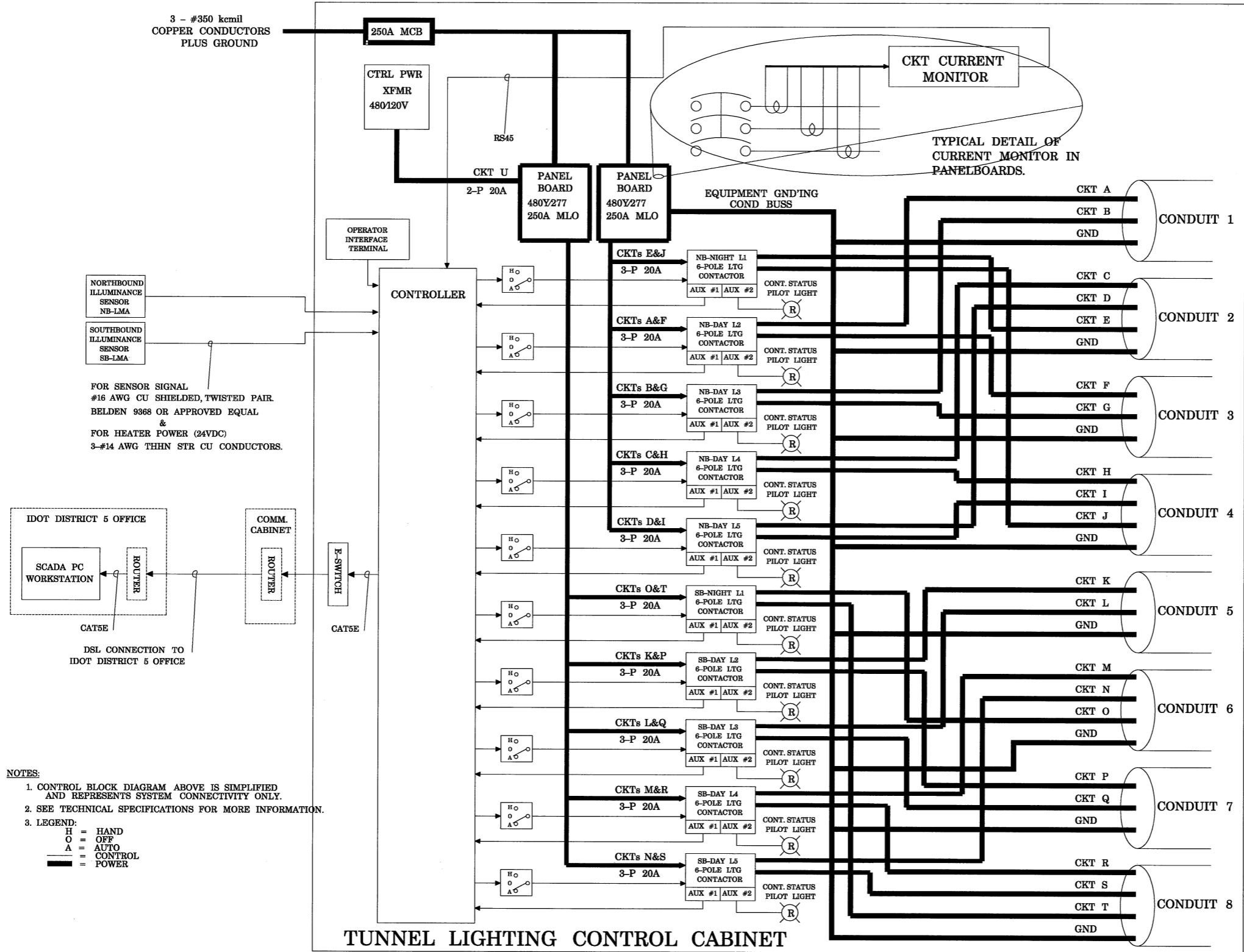
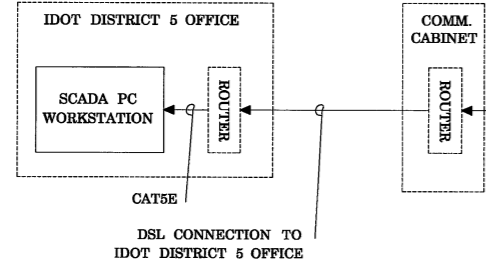


3 - #350 kcmil
COPPER CONDUCTORS
PLUS GROUND



NORTHBOUND ILLUMINANCE SENSOR NB-LMA
SOUTHBOUND ILLUMINANCE SENSOR SB-LMA

FOR SENSOR SIGNAL
#16 AWG CU SHIELDED, TWISTED PAIR.
BELDEN 9368 OR APPROVED EQUAL
&
FOR HEATER POWER (24VDC)
3-#14 AWG THHN STR CU CONDUCTORS.



- NOTES:
- CONTROL BLOCK DIAGRAM ABOVE IS SIMPLIFIED AND REPRESENTS SYSTEM CONNECTIVITY ONLY.
 - SEE TECHNICAL SPECIFICATIONS FOR MORE INFORMATION.
 - LEGEND:
H = HAND
O = OFF
A = AUTO
--- = CONTROL
--- = POWER

TUNNEL LIGHTING CONTROL CABINET

CONDUIT 1 TO LIGHTING FIXTURES
CONDUIT 2 TO LIGHTING FIXTURES
CONDUIT 3 TO LIGHTING FIXTURES
CONDUIT 4 TO LIGHTING FIXTURES
CONDUIT 5 TO LIGHTING FIXTURES
CONDUIT 6 TO LIGHTING FIXTURES
CONDUIT 7 TO LIGHTING FIXTURES
CONDUIT 8 TO LIGHTING FIXTURES

TUNNEL LIGHTING CONTROL BLOCK DIAGRAM

TUNNEL LIGHTING CONTROL SYSTEM CABINET BLOCK DIAGRAM

REVISIONS	
NAME	DATE

JOB NO.
94S2063
DATE
10/6/2009

LAYOUT	J.H.	10/6/2009
DRAWN	J.H.	
REVIEWED	D.H.	03/28/04