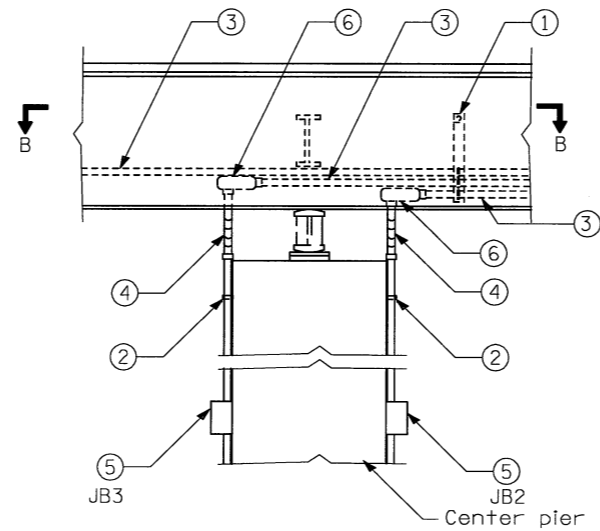
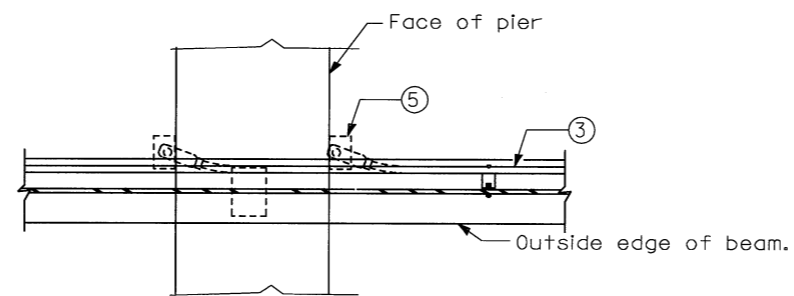


F.A.I. RTE.	SECTION	COUNTY	TOTAL SHEETS	SHEET NO.
55		MCLEAN	310	1216
FED. ROAD DIST. NO.	ILLINOIS	FED. AID PROJECT		
		(57-4)R, HBY, HBR, (57-4V)DM		
CONTRACT #70757				



ELEVATION



SECTION B-B

NOTES

- | | |
|---|---|
| ① Conduit support bracket, see detail | ④ Liquid tight flexible conduit (non-metallic), Type "NM" |
| ② Galvanized steel or stainless steel conduit clamp | ⑤ Junction box, size as noted on the plans |
| ③ 50 (2) Galvanized steel conduit | ⑥ 50 (2) Type LB conduit |

BRIDGE CROSSING DETAIL

BRIDGE CROSSING DETAIL
FOR CONDUIT

10/6/2009
#1216

LAYOUT	J.H.	
DESIGN	J.H.	
REVIEWED	D.H.	03/18/04

REVISIONS	
NAME	DATE

	JOB NO.	94S2063
	DATE	10/6/2009