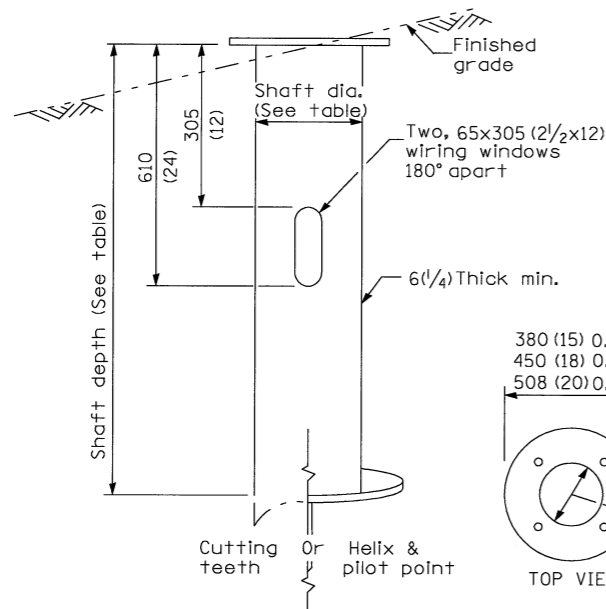
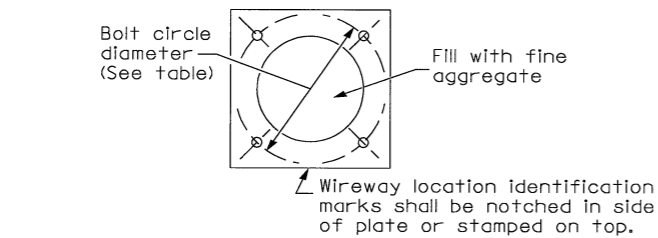


LIGHT POLE MOUNTING HEIGHT	BOLT CIRCLE DIAMETER	STEEL FOUNDATION			CONCRETE FOUNDATION		
		SHAFT DIAMETER	SHAFT DEPTH	TOP PLATE (min)	SHAFT DIAMETER	SHAFT DEPTH	ANCHOR ROD LENGTH ①
<9.1 m (30')	292 (11.5)	220 (8 5/8)	1.83 m (6')	300 x 300 x 25 12 x 12 x 1	610 (24)	1.52 m (5'-0")	1.45 m (4'-9")
9.4 m - 10.7 m (31'-35')	292 (11.5)	220 (8 5/8)	1.83 m (6')	300 x 300 x 25 12 x 12 x 1	610 (24)	1.67 m (5'-6")	1.60 m (5'-3")
10.9 m - 12.2 m (36'-40')	381 (15) ③	220 (8 5/8)	1.83 m (6') ②	375 x 375 x 31 15 x 15 x 1 1/4	762 (30)	1.83 m (6'-0")	1.75 m (5'-9")
12.5 m - 13.7 m (41'-45')	381 (15) ③	220 (8 5/8)	1.83 m (6') ②	375 x 375 x 31 15 x 15 x 1 1/4	762 (30)	1.98 m (6'-6")	1.90 m (6'-3")
14.0 m - 15.2 m (46'-50')	381 (15) ③	220 (8 5/8)	2.44 m (8')	375 x 375 x 31 15 x 15 x 1 1/4	762 (30)	2.13m (7'-0")	2.00 m (6'-9")

- ① Length does not include 100(4)hook
 ② 220 mm x 2.44 m (8 5/8" x 8'-0") for Twin luminaires
 ③ Bolt circle diam. shall be 430 (17) when a TB3-17 transformer base is used



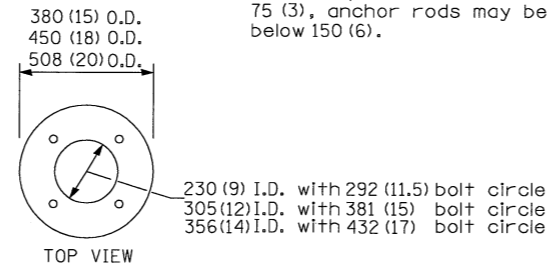
STEEL FOUNDATION

RING PLATE DETAIL
 (When rock is encountered and foundation is shallower)

Length above foundation shall be adjusted to accommodate breakaway devices furnished by the contractor for a specific installation.

Use dirt removed from foundation to meet 1.52m (5 ft.) chord fill around foundation top. Grade dirt level with bottom of concrete chamfer.

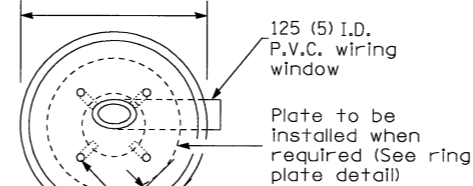
- ④ If the required anchor rod length above top of foundation is less than 75 (3), anchor rods may be lowered below 150 (6).



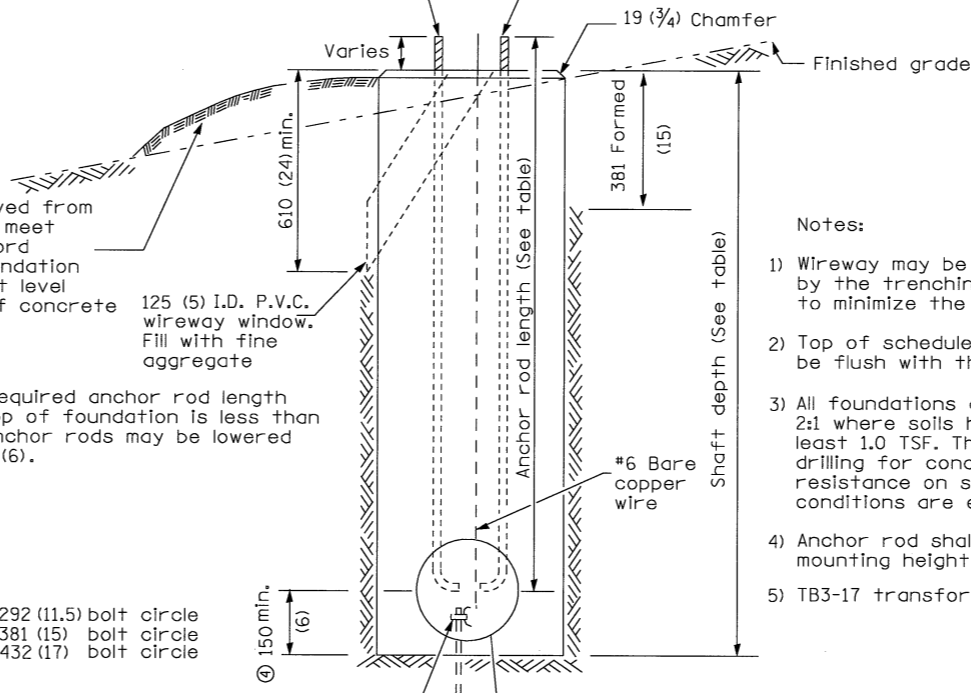
Cast bronze clamp
 16 mm x 3 m (5/8" x 10')
 Copperclad grounding electrode. When foundation is set in rock, install ground electrode in cable trench.

CONCRETE FOUNDATION

610 (24) min. dia. with 292 (11.5) bolt circle
 762 (30) min. dia. with 381 (15) or 432 (17) bolt circle



Anchor rod 25 (1) diameter with 230 (9) threads. Anchor rod shall extend through nut 25 (1). For barrier or foundation behind guardrail, use self-locking nut and flat washer. Do not use lock washer.



Pole Foundation Setback:

For horizontal mounted luminaires, setback shall be a minimum of 6.1 m (20') from edge of pavement.

For vertical mount luminaires, setback shall be a minimum of 9 m (30') from edge of pavement. Poles shall be located 1.5 m (5') behind guardrail or other protective barriers, or as directed by the Engineer.

Notes:

- Wireway may be on front, back or side of foundation as required by the trenching. Place door of transformer base on wireway side to minimize the number of unit duct bends.
- Top of schedule 40 125 (5) I.D. PVC wiring window, shall be flush with the top of foundation for drainage.
- All foundations are designed to be located on slopes not exceeding 2:1 where soils have an unconfined compressive strength of at least 1.0 TSF. The contractor shall verify the soil strength during drilling for concrete foundations or by monitoring installation resistance on steel foundations and notify the engineer if other conditions are encountered.
- Anchor rod shall be increased to 31 (1 1/4) diameter for 15.24 (50') mounting height or above.
- TB3-17 transformer base is not to be used on metal foundation

All dimensions are in millimeters (inches) unless otherwise shown.

LIGHT POLE FOUNDATION
 (CAMERA AND SENSOR
 POLE FOUNDATION)

REVISIONS	
NAME	DATE

LGT007-836

JOB NO.
94S2063
DATE
9/15/2009

LAYOUT	J.L.H.	09/15/2009
DRAWN	J.L.H.	09/15/09
REVIEWED	D.L.H.	03/18/04