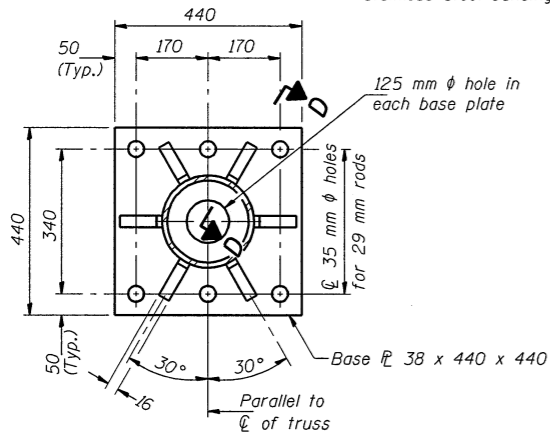


**SADDLE SHIM DETAIL**

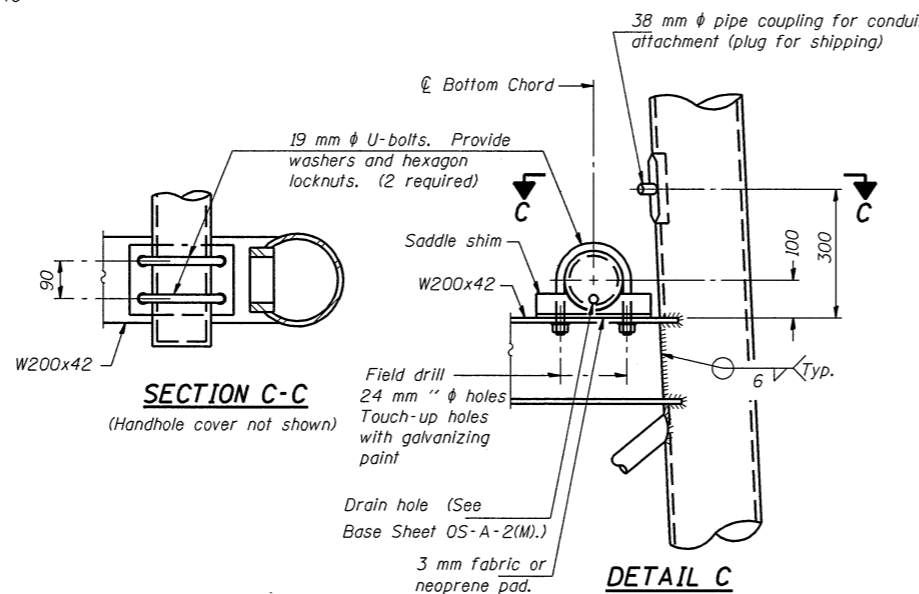
ASTM B26M Alloy 356-F  
or  
ASTM B209M Alloy 6061-T651  
(4 required per sign truss)

Truss Chord Nominal Dia.	a
127	19
140	21
152	22
165	24



**SECTION B-B**

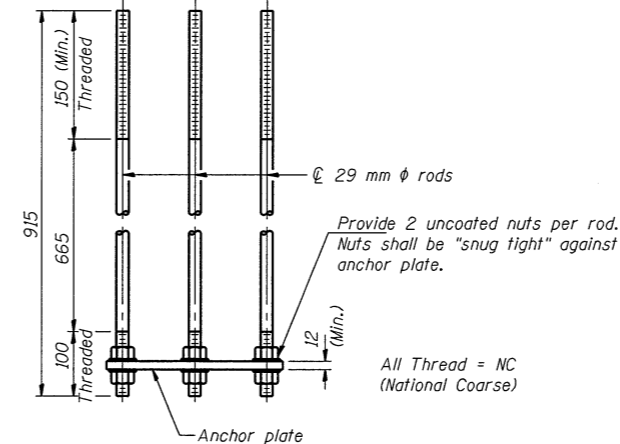
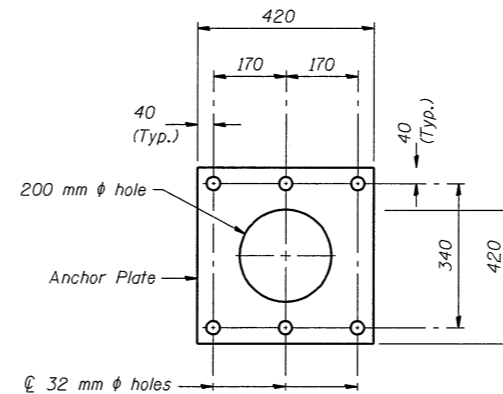
NUMBER	REVISION	DATE



**SECTION C-C**

(Handhole cover not shown)

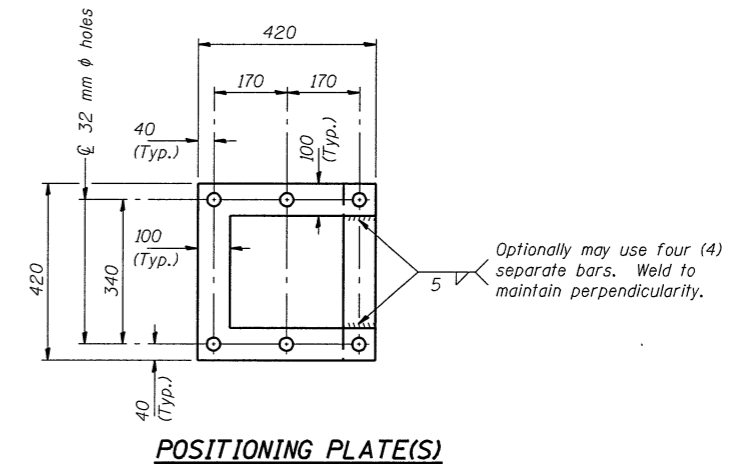
**DETAIL C**



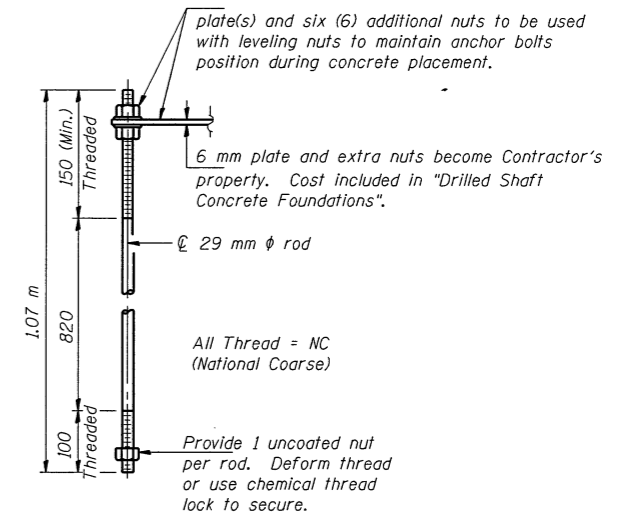
**ANCHOR ROD DETAIL**  
Spread Footing Foundation

Anchor rods shall conform to AASHTO M314M Grade 250 or 380 (36 or 55) and meet Charpy V-Notch (CVN) energy of 20 J at 5° C. Galvanize upper 305 mm per AASHTO M232. No welding shall be permitted on rods.

**TYPE I-A TRUSS**  
**DN 200 PIPE SUPPORT FRAME DETAILS**



**POSITIONING PLATE(S)**



**ANCHOR ROD DETAIL**  
Drilled Shaft Foundation

SHEET TITLE OVERHEAD SIGN STRUCTURE SUPPORT FRAME DETAILS ALUMINUM TRUSS		
PROJECT F.A.I. 55 SECTION (57-4)R, HBY, HBR, (57-4VB)DM McLEAN COUNTY	PROJECT NO. 9450	SCALE DATE 10/08/04
COOMBE-BLOXDORF P.C. Engineers/Land Surveyors Springfield, Illinois Design Firm License No. 184-002703	CHECKED BY M.C.B.	DRAWING NO. 6
OS-A-4A(M) 11/1/2002		OF 24 SHTS