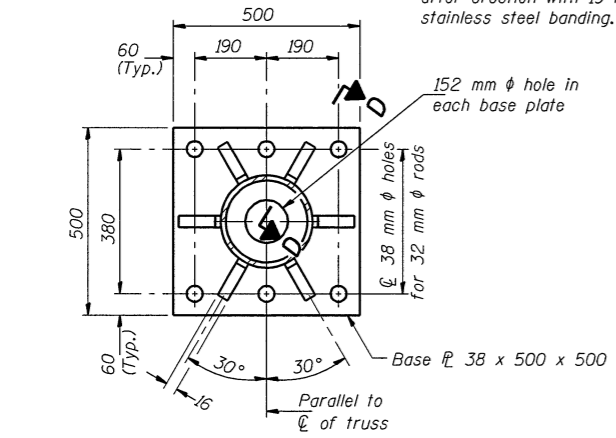
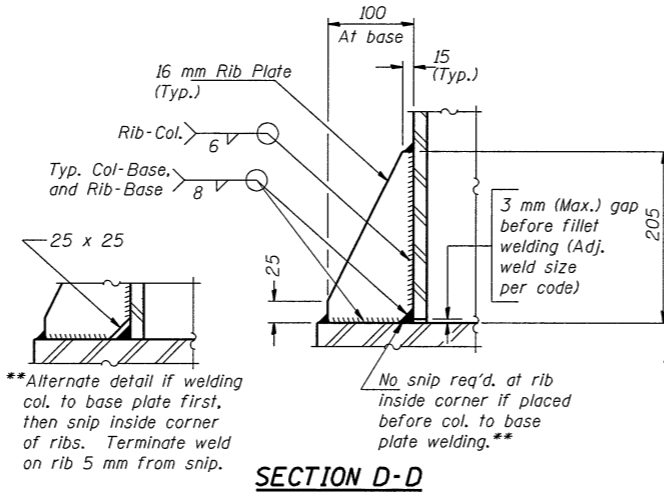


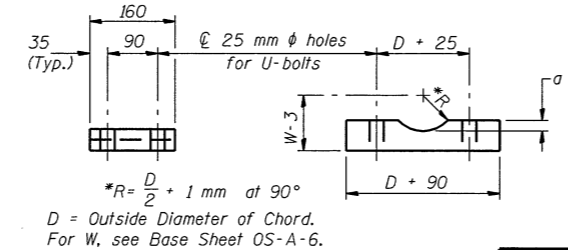
**DETAIL B**



**SECTION B-B**



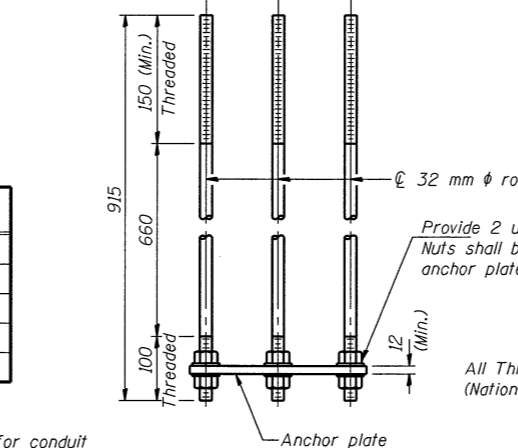
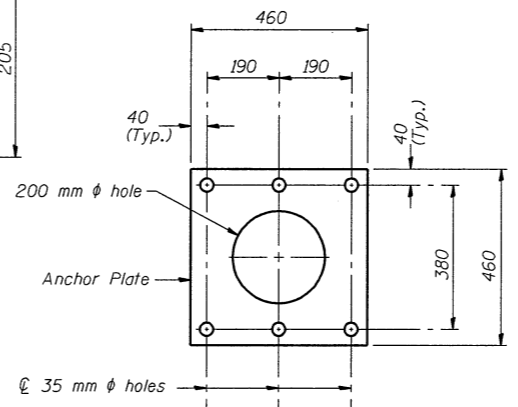
**SECTION D-D**



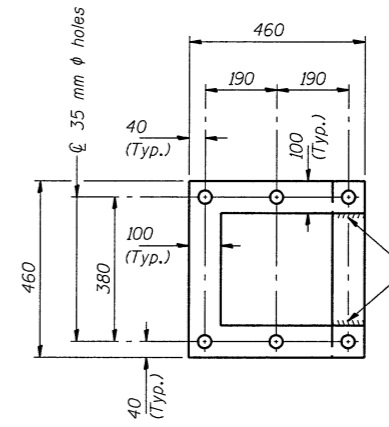
**SADDLE SHIM DETAIL**

ASTM B26M Alloy 356-F  
or  
ASTM B209M Alloy 6061-T651  
(4 required per sign truss)

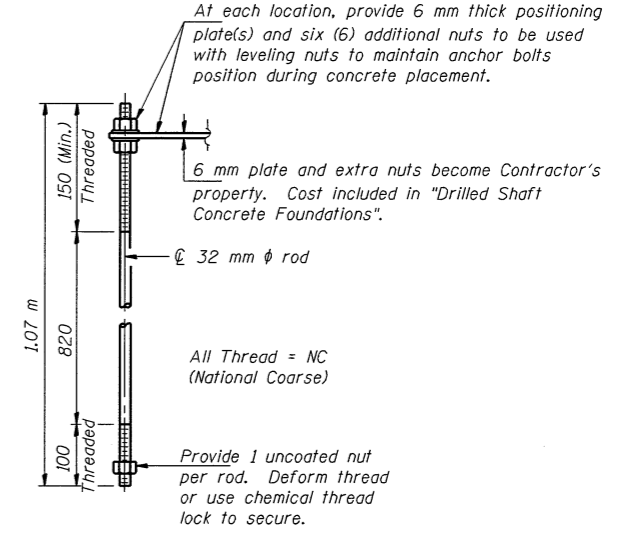
Truss Chord Nominal Dia.	a
127	19
140	21
152	22
165	24
178	25



**ANCHOR ROD DETAIL**  
Spread Footing Foundation



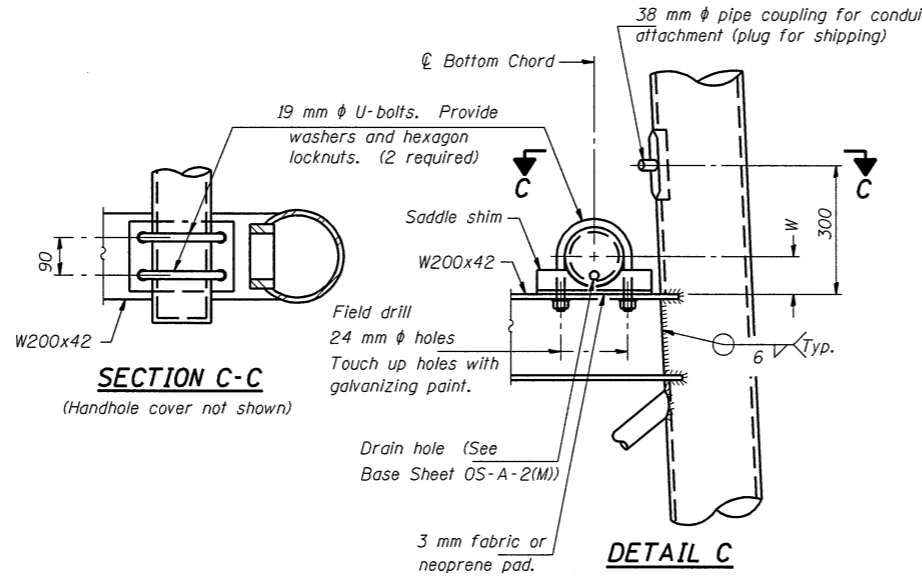
**POSITIONING PLATE(S)**



**ANCHOR ROD DETAIL**  
Drilled Shaft Foundation

Anchor rods shall conform to AASHTO M314M Grade 250 or 380 (36 or 55) and meet Charpy V-Notch (CVN) energy of 20 J at 5°C. Galvanize upper 305 mm per AASHTO M232. No welding shall be permitted on rods.

**DN 250 PIPE SUPPORT FRAME DETAILS**



**SECTION C-C**  
(Handhole cover not shown)

**DETAIL C**

NUMBER	REVISION	DATE

SHEET TITLE		OVERHEAD SIGN STRUCTURE SUPPORT FRAME DETAILS ALUMINUM TRUSS	
PROJECT	F. A. I. 55 SECTION (57-4)R, HBY, HBR, (57-4VB)DM McLEAN COUNTY	PROJECT NO.	9450
SCALE		DATE	10/08/04
DRAWN BY	TFG	CHECKED BY	MCB
COOMBE-BLOXDORF P.C. Engineers / Land Surveyors Springfield, Illinois		DRAWING NO.	8
Design Firm License No. 184-002703		OF 24 SHTS	