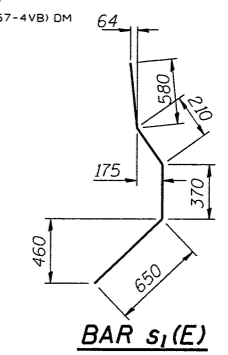
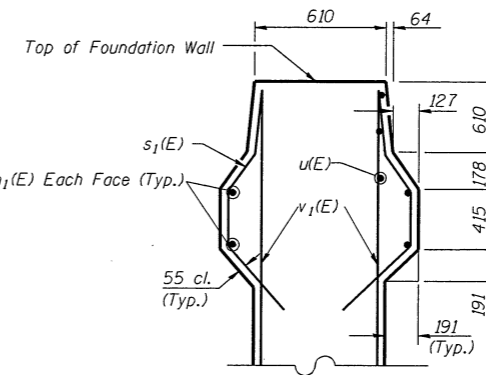
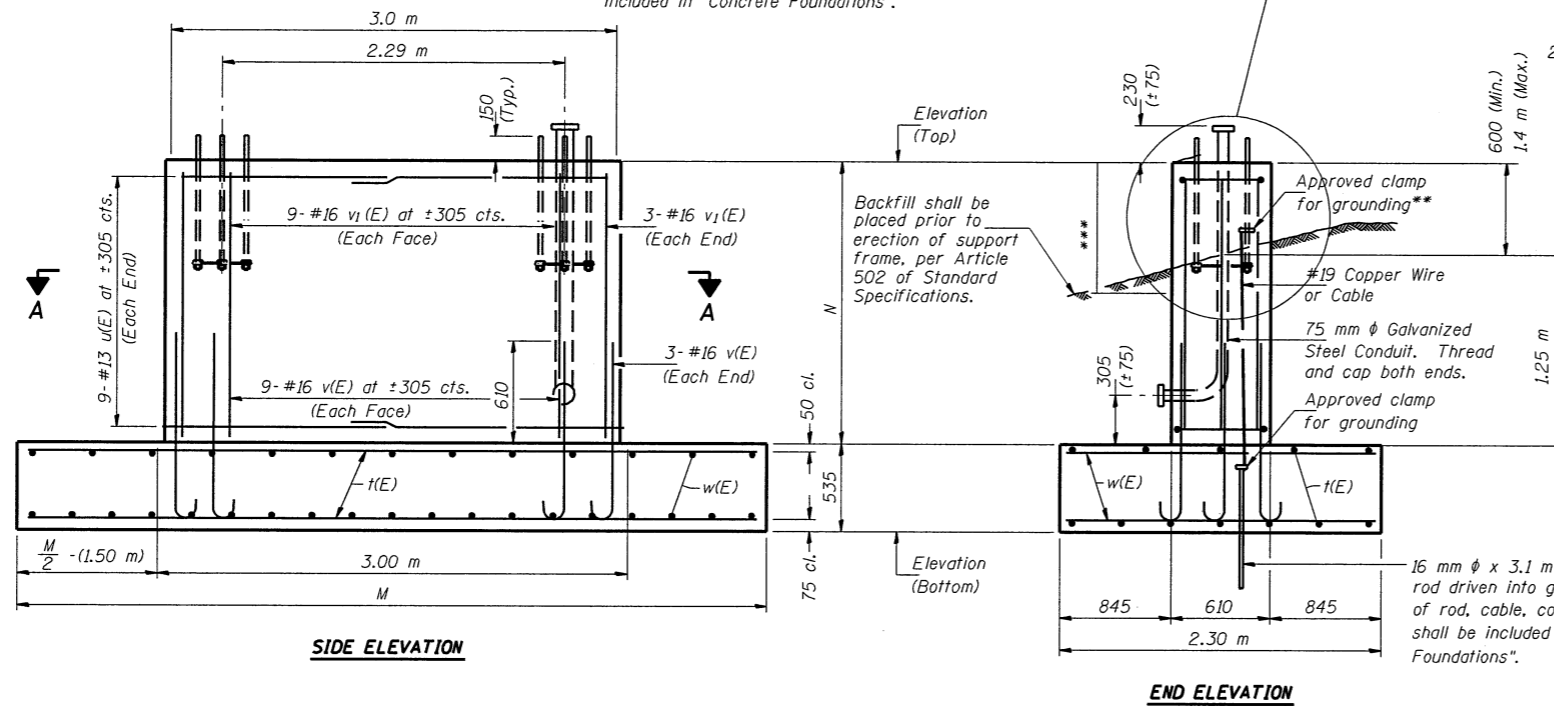


For anchor rod size and placement, see Support Frame Detail Sheet.

\*\*Anchor rod shall be ground or filed to bright metal at clamp and cable connection location.

\*\*\*A normal surface finish followed by a Bridge Seal Sealer application will be required on concrete surfaces above the lowest elevation 150 mm below finished ground line. Cost included in "Concrete Foundations".

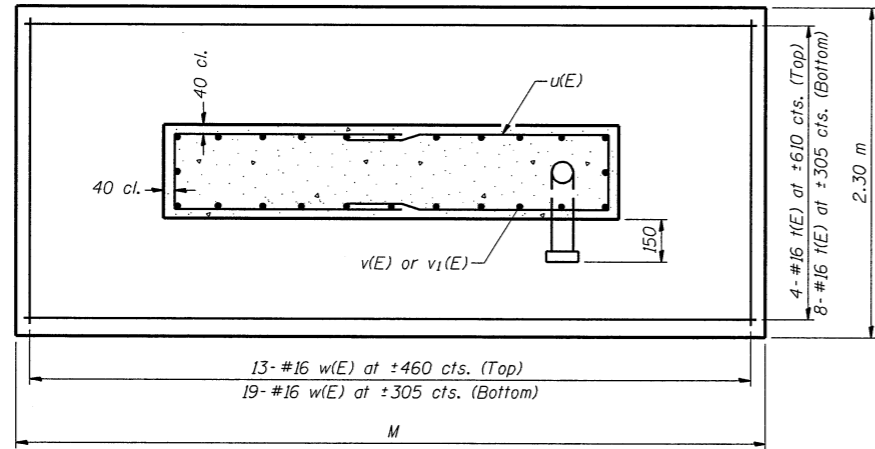
See Detail A for additional forming at median foundation.



BAR LIST - EACH FOUNDATION

Bar	Number	Size	Length (m)	Shape
h1(E)	4	#13	2.92	—
s1(E)	26	#16	1.81	)
t(E)	12	#16	*	—
u(E)	18	#13	3.97	—
v(E)	24	#16	1.25	—
v1(E)	24	#16	*	—
w(E)	32	#16	2.21	—

\*Length of t(E) bar = (Dim. M) - 150 mm  
 v1(E) bar = (Dim. N) - 75 mm  
 \*\*\*\*Median Foundation only



SECTION A-A

Structure Number	Station	Left Foundation				Right Foundation				Class SI Concrete (cu. m)
		Elevation Top	Elevation Bottom	N (m)	M (m)	Elevation Top	Elevation Bottom	N (m)	M (m)	
5S0571055L165.2	37+953	267.23	264.445	2.25	5.6	267.565	264.930	2.10	5.6	22.8
5S0571055L165.5	38+425	272.80	270.015	2.25	6.0	273.041	270.406	2.10	6.0	23.7

Note: The foundation dimensions shown are based on the presence of mostly cohesive soils with an average Unconfined Compressive Strength (Qu) of at least 96 kPa, which must be determined by previous soil investigations at the jobsite. When other conditions are indicated, the boring data will be included in the plans and the foundation dimensions shown will be the result of site specific designs.  
 During construction, if footing length or width or wall height change by more than 300 mm, or if reinforcement is changed, "as-built" plans shall be prepared and submitted to the District Bureau of Operations for future reference.

DETAILS FOR DN 200 PIPE SUPPORT FRAME

NUMBER	REVISION	DATE

SHEET TITLE <b>OVERHEAD SIGN STRUCTURE SPREAD FOOTING DETAILS</b>		PROJECT NO. 9450
PROJECT F.A.I. 55 SECTION (57-4)R, HBY, HBR, (57-4VB)DM MCLEAN COUNTY	DATE 10/08/04	DRAWN BY TFG
CHECKED BY MCB		DRAWING NO. 12
DRAWING FIRM <b>COOMBE-BLOXDORF P.C.</b> Engineers/Land Surveyors Springfield, Illinois Design Firm License No. 184-002703		OF 24 SHTS

7/18/2009  
#FILE#BBREV#