

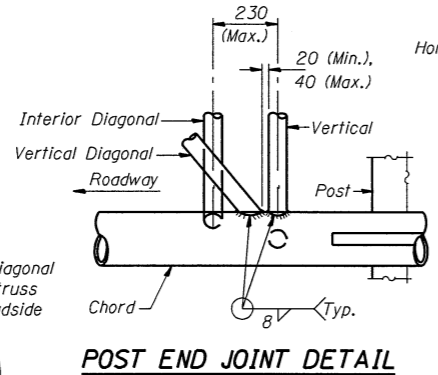
TRUSS INTERIOR JOINT DETAILS

All diagonals shall be detailed for minimum offset from the panel point based on the following: Offset shall be such as to provide a 20 mm minimum to 40 mm maximum clearance between any diagonal and any horizontal or vertical member, and to provide clearance for U-bolt connections of signs or walkway brackets.

Structure Number	Station	Truss Type	Design Length (L)	Number of Panels Per Unit	Panel Length (P)*
5C0571055L164.7	37+295	II-C-A	8.31	6	1.283
5C0571055L164.8	37+297	II-C-A	8.58	6	1.328
5C0571055L164.9	37+572.5	II-C-A	9.20	7	1.227

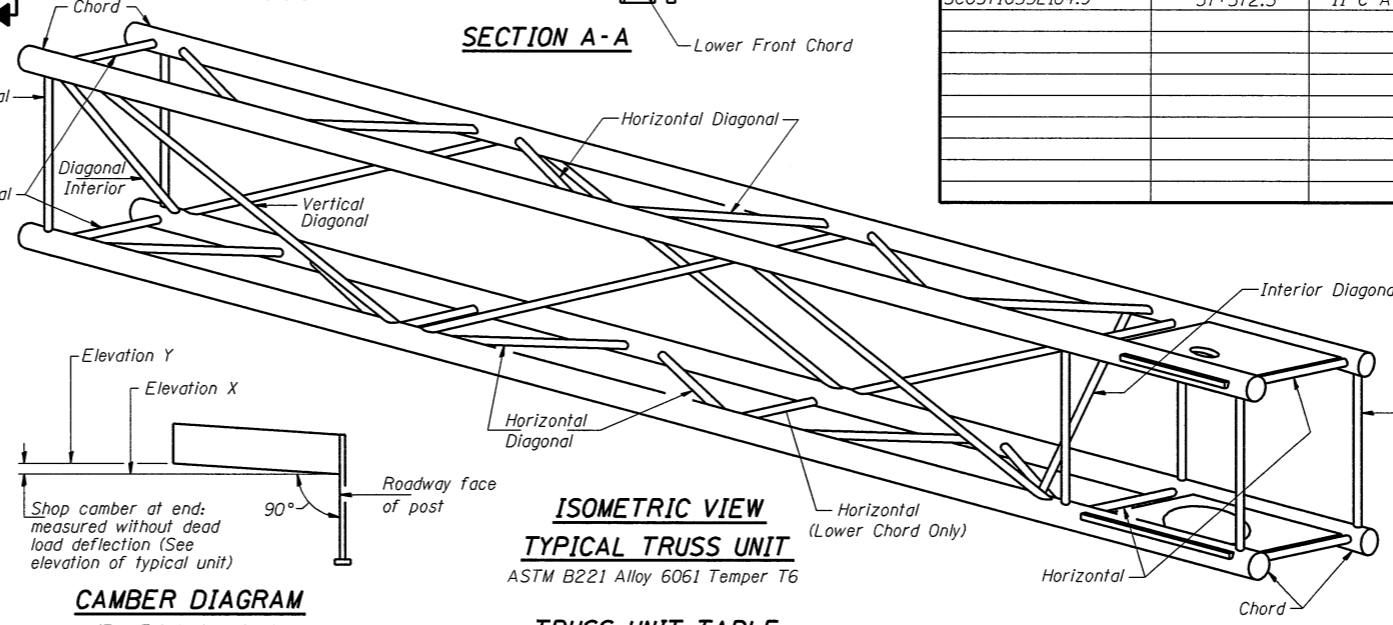
ELEVATION
 (Sign and walkway omitted for clarity)
TYPICAL TRUSS UNIT
 For Section B-B and Section C-C, see Base Sheet OSC-A-3.

Note: There are twice as many horizontal diagonals as there are vertical diagonals.



SHOP CAMBER TABLE

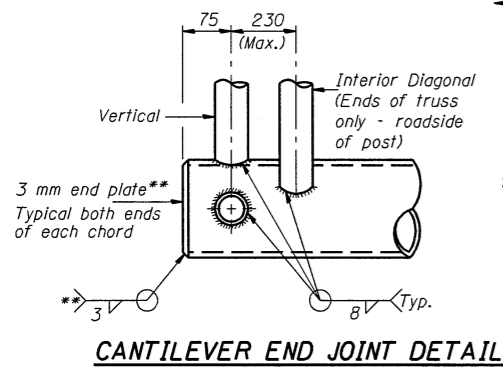
Unit Length (L)	Shop Camber at End
4.6	40
4.9-5.2	45
5.5-6.1	50
6.4-6.7	60
7.0-7.6	65
7.9-8.2	70
8.5-9.1	76
9.5-9.8	83
10.1-10.7	90
10.8-11.5	102
11.6-12.2	114



CAMBER DIAGRAM
 (For Fabrication Only)

Truss Type	Dimension "a"	Dimension "b" (m)	Dimension "s"	Limits for Panel Spacing (P)* (m)	Up. & Low. Chord		Verticals; Horizontals; Vertical, Horizontal, and Interior Diagonals	
					O.D.	Wall	O.D.	Wall
I-C-A	610	1.37	405	0.915 Min. to 1.22 Max.	127	8	64	8
II-C-A	915	1.68	535	1.07 Min. to 1.37 Max.	165	8	83	8
III-C-A (10.7 Max.)	915	2.13	535	1.22 Min. to 1.68 Max.	178	10	89	10
III-C-A (>10.7 to 12.2)	915	2.13	535	1.22 Min. to 1.68 Max.	203	10	89	10

*P = $\frac{L-s-75}{\# \text{ Panels}}$



**Contractor may alternatively use standard aluminum drive-fit cap to close ends.

NUMBER	REVISION	DATE

SHEET TITLE: CANTILEVER SIGN STRUCTURES TRUSS DETAILS ALUMINUM TRUSS & STEEL POST

PROJECT: F.A.I. 55 SECTION (157-4)R, HBY, HBR, (157-4VB)DM McLEAN COUNTY

COOMBE-BLOXDORF P.C. Engineers/Land Surveyors Springfield, Illinois Design Firm License No. 184-002703

PROJECT NO. 9450
 SCALE
 DATE 10/08/04
 DRAWN BY TFG
 CHECKED BY MCB
 DRAWING NO. 16
 OF 24 SHTS

7/18/2009 #FILE#BBREV#