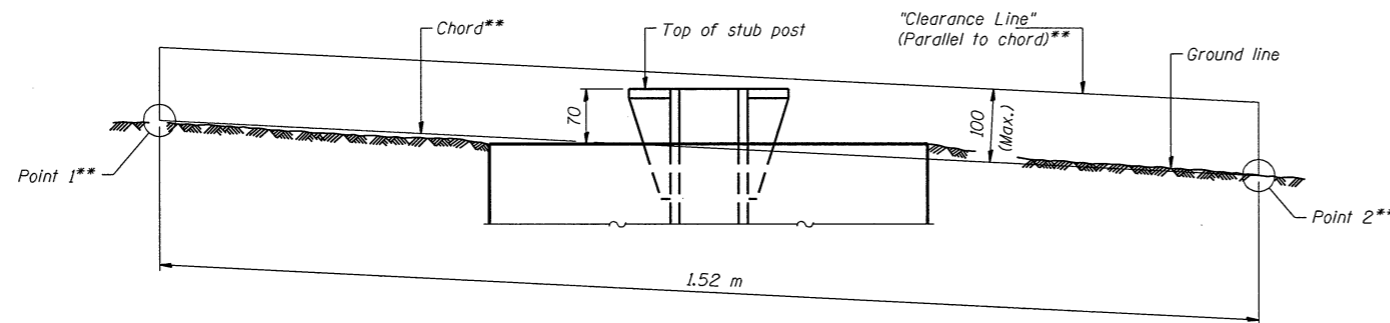


POST	CONCRETE FOUNDATION TABLE								POST TO STUB POST CONNECTION DATA								FUSE PLATE DATA					
	Foundation			Reinforcement				Stub Post Length	Bolt Size	A	B	C	D	E	t <sub>1</sub>	t <sub>2</sub>	R	W	J	K	L	t <sub>3</sub>
	Diameter	*Minimum Depth (m)	Concrete (m <sup>3</sup> ) ①	Vertical Bars Length (m)	Bar Spirals Diameter	Bar Spirals Length (m)	kg ②															
W150x14	610	1.8	0.53	1.72	520	24.1	41	690	M16x85	150	57	32	90	30	20	14	9	6	100	56	22	6
W150x22	610	1.8	0.53	1.72	520	24.1	41	760	M16x85	150	57	32	90	30	20	14	9	6	150	90	30	10
W200x27	610	1.8	0.53	1.72	520	24.1	41	760	M20x95	150	64	35	82	34	25	14	10	8	130	70	30	10
W250x33	760	2.0	0.91	1.92	675	32.0	49	910	M20x95	150	64	35	82	34	25	14	10	8	145	70	38	14
W250x39	760	2.1	0.95	2.02	675	34.1	52	910	M22x105	180	70	38	102	39	25	20	12	10	145	70	38	16
W310x39	760	2.4	1.09	2.32	675	36.3	58	910	M22x105	180	70	38	102	39	25	20	12	10	165	90	38	16
W360x45	910	2.2	1.43	2.12	825	44.2	61	910	M22x105	180	70	38	102	39	25	20	12	10	170	90	40	14
W360x57	910	2.4	1.56	2.32	825	46.6	66	1.07 m	M24x115	190	76	44	102	44	32	20	13	10	170	90	40	14
W410x67	910	2.6	1.69	2.52	825	49.4	70	1.07 m	M24x115	190	76	44	102	44	32	20	13	10	180	90	45	14

\*Dimensional changes required for varying site conditions shall be approved by the Engineer.

POST	FUSE PLATE BOLT SIZE													
	Sign Depth (m)													
	1.2	1.5	1.8	2.1	2.4	2.7	3.0	3.3	3.6	3.9	4.2	4.5	4.8	
W150x14	M12x40	M12x40	M12x40	M16x45	M16x45	M16x45	—	—	—	—	—	—	—	—
W150x22	M12x45	M12x45	M16x50	M16x50	M20x50	M20x50	M20x50	M20x50	M22x50	M22x50	—	—	—	—
W200x27	M12x45	M12x45	M12x45	M16x50	M16x50	M20x50	M20x50	M22x60	M22x60	M22x60	M22x60	M22x60	M22x60	M22x60
W250x33	M12x50	M12x50	M12x50	M16x50	M16x50	M20x60	M20x60	M22x60	M22x60	M22x65	M24x65	M24x70	M24x70	M24x70
W250x39	M12x50	M12x50	M12x50	M16x60	M16x60	M20x65	M20x65	M22x65	M22x65	M24x70	M24x70	M24x70	M27x80	M27x80
W310x39	—	—	—	—	—	M16x60	—	—	M22x65	M22x65	M24x65	M24x70	M24x70	M24x70
W360x45	M12x50	M12x50	M12x50	M12x50	M12x50	M16x50	M20x60	M20x60	M20x60	M22x65	M24x65	M24x70	M24x70	M24x70
W360x57	—	M12x50	M12x50	M12x50	M12x50	M16x60	M20x60	M20x65	M20x65	M22x65	M22x65	M24x65	M24x70	M24x70
W410x67	—	—	—	M12x50	M12x50	M16x60	M16x60	M20x60	M20x65	M20x65	M22x65	M22x65	M24x70	M24x70



**ELEVATION  
GROUND LINE & STUB POST**

\*\*For all "Point 1" and "Point 2" locations, "Clearance Line" must be at or above top of stub post.

① Quantity includes all concrete necessary for one foundation.

② Includes reinforcement bars and spiral hooping for one foundation.

Note: All necessary excavation or drilling (except in rock); backfilling with excavated material; disposal of unsuitable material; formwork; furnishing and placing Class SI Concrete; and reinforcement bars shall be included with "Concrete Foundations".

NUMBER	REVISION	DATE

SHEET TITLE		BREAK-AWAY WIDE FLANGE STEEL SIGN POST DETAILS	
PROJECT	F.A.I. 55 SECTION (57-4)R, HBY, HBR, (57-4VB)DM McLEAN COUNTY	PROJECT NO.	9450
SCALE		DATE	10/08/04
DRAWN BY	TFG	CHECKED BY	MCB
COOMBE-BLOXDORF P.C. Engineers / Land Surveyors Springfield, Illinois Design Firm License No. 184-002703		DRAWING NO.	24
		OF 24 SHTS	