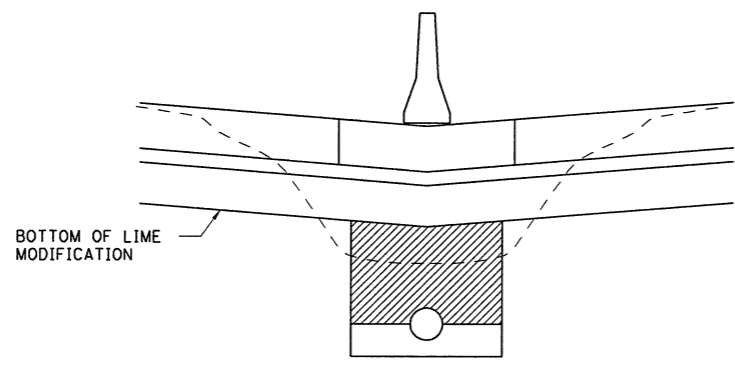
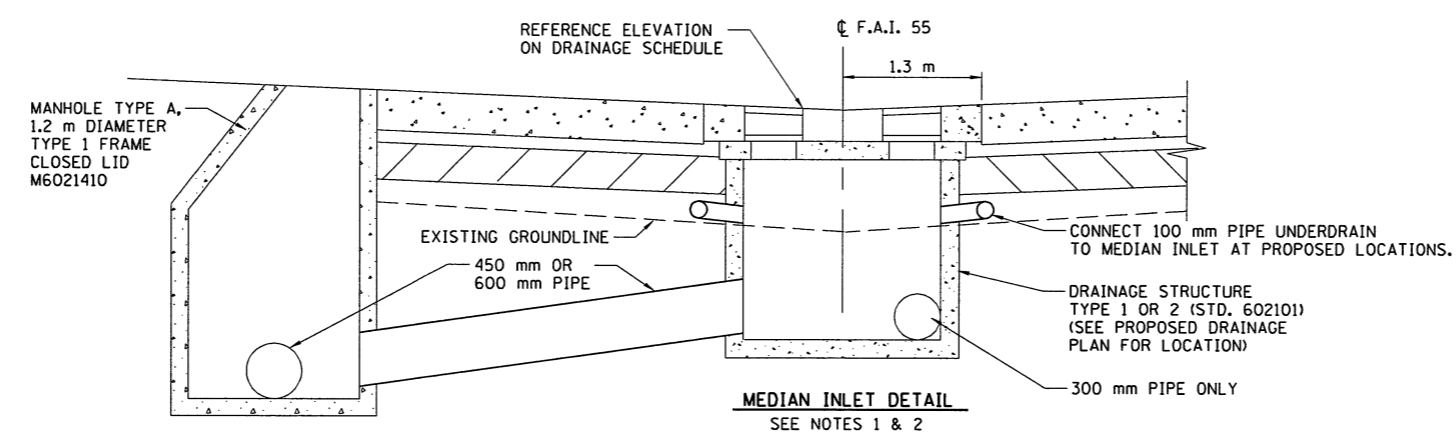
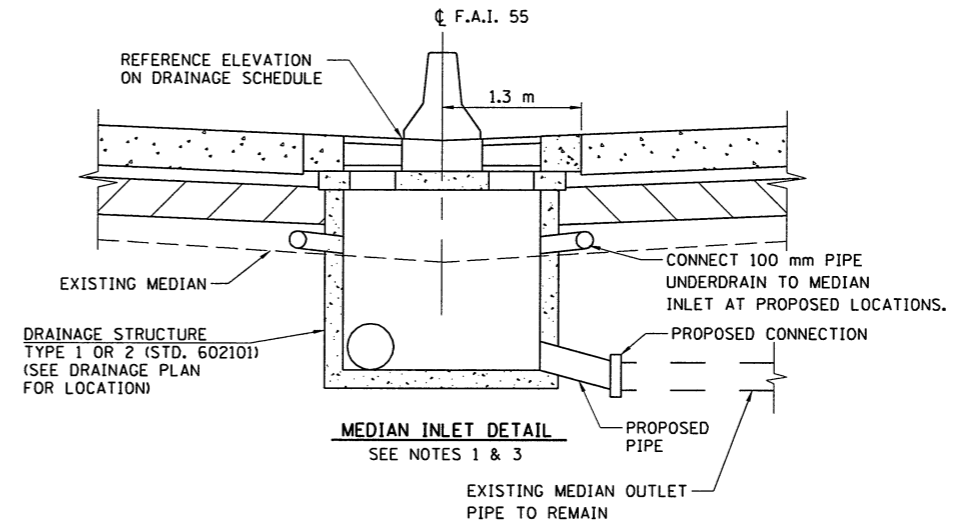


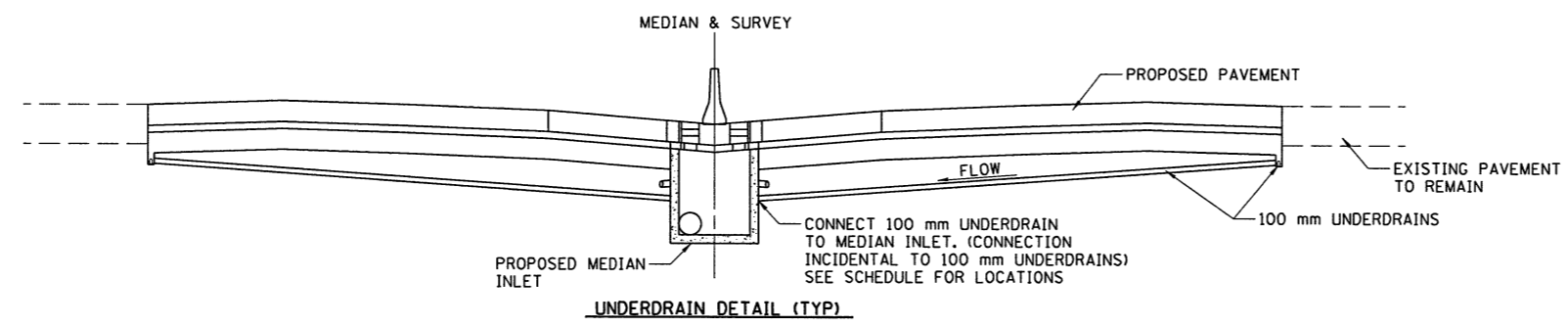
F.A.I. RTE.	SECTION	COUNTY	TOTAL SHEETS	SHEET NO.
55		MCLEAN	310	168
FED. ROAD DIST. NO.	ILLINOIS	FED. AID PROJECT		
* (57-4)R, HBY, HBR, (57-4)B)DM CONTRACT #70757				



**TRENCH BACKFILL DETAIL**  
 NOTE: PAY LIMITS FOR TRENCH BACKFILL WILL BE FROM THE SPRING LINE OF THE PROPOSED SEWER TO THE BOTTOM OF THE LIME MODIFIED SOIL.



- NOTES**
1. GRATES OF ALL PROPOSED MEDIAN INLETS SHALL BE MECHANICALLY FASTENED TO THE STRUCTURE TO THE SATISFACTION OF THE ENGINEER. THE COST OF THIS WORK SHALL BE INCLUDED IN THE COST OF THE MEDIAN INLET STRUCTURE.
  2. WHERE INLETS ARE REMOVED AND NOT REPLACED, THE EXISTING OUTLET PIPE SHALL BE PLUGGED AND ABANDONED. THE COST OF THIS WORK SHALL BE INCLUDED IN THE UNIT COST FOR INLET REMOVAL.
  3. CONNECT PROPOSED PIPE TO THE EXISTING PIPE WITH THE APPROPRIATE COLLAR CONNECTION. THE COST OF THIS CONNECTION AND THE PROPOSED LENGTH OF PIPE WILL BE INCLUDED IN THE COST OF THE INLET/MANHOLE.



ILLINOIS DEPARTMENT OF TRANSPORTATION  
 F.A.I. 55  
 SECTION (57-4)R, HBY, HBR, (57-4)B)DM  
 MCLEAN COUNTY  
**DRAINAGE DETAILS**

REVISIONS	
NAME	DATE

**HANSON**

JOB NO. 9452063  
 DATE 6/25/2009

6/25/2009 #FILES  
 LAYOUT J.H.  
 DRAWN E.L.C./K.E.L.  
 REVIEWED D.L.H. 03/18/04