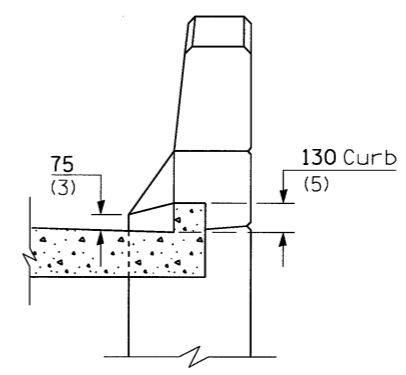
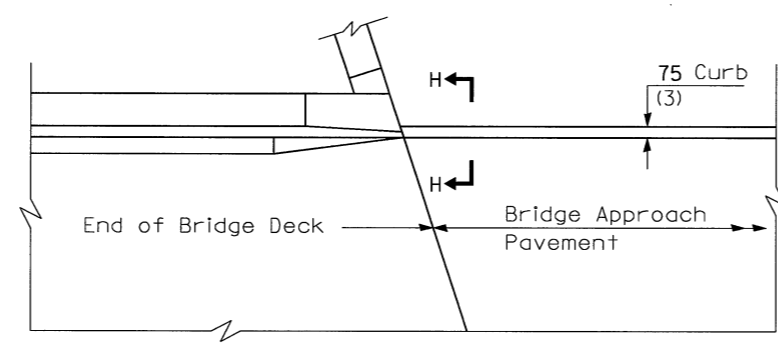


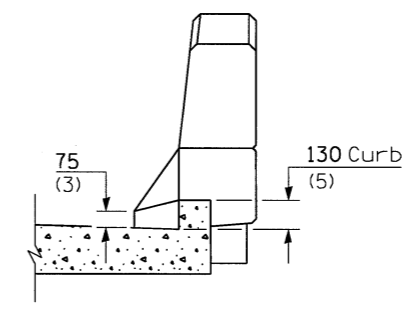
**PARAPET TO CURB TRANSITION
PILE BENT ABUTMENT**



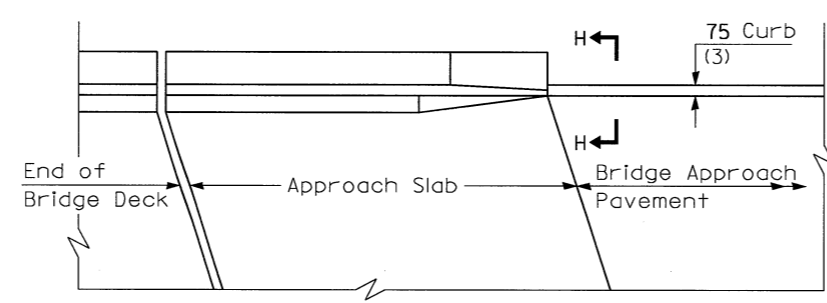
SECTION I - I



**PARAPET TO CURB TRANSITION
INTEGRAL ABUTMENT**



SECTION H - H



**PARAPET TO CURB TRANSITION
VAULTED ABUTMENT**

7/27/2009
#FILES

LAYOUT	JUH	04/09/02
DRAWN	JUH	03/09/04
REVIEWED	DUH	03/19/04

ILLINOIS DEPARTMENT OF TRANSPORTATION
F.A.I. 55
SECTION (57-4)R, HBY, HBR, (57-4VB)DM
MCLEAN COUNTY
BRIDGE APPROACH DETAILS

REVISIONS	
NAME	DATE

JOB NO.
94S2063
DATE
7/27/2009