

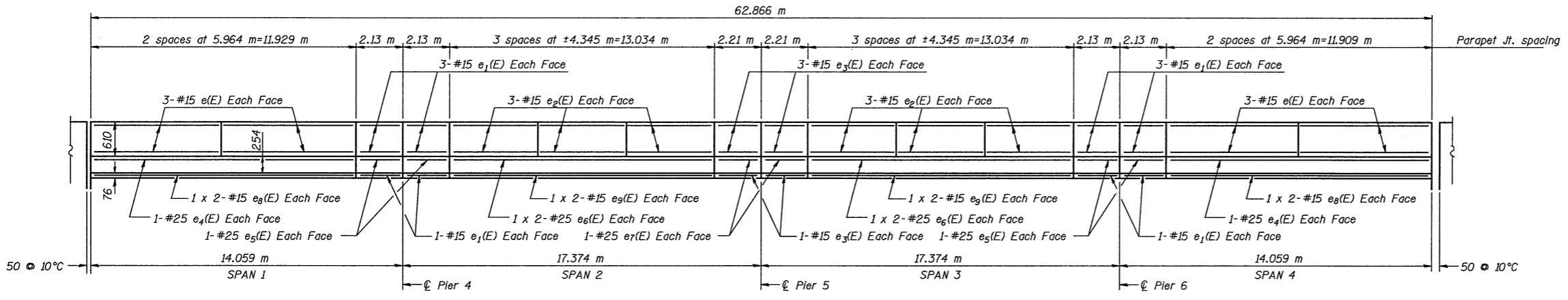
F.A.I. RTE.	SECTION	COUNTY	TOTAL SHEETS No.
55		McLEAN	310/187

FED. ROAD DIST. NO. 7 ILLINOIS IAP
 * (57-4)R, HBY, HBR, (57-4VB)DM
 Contract No. 70757

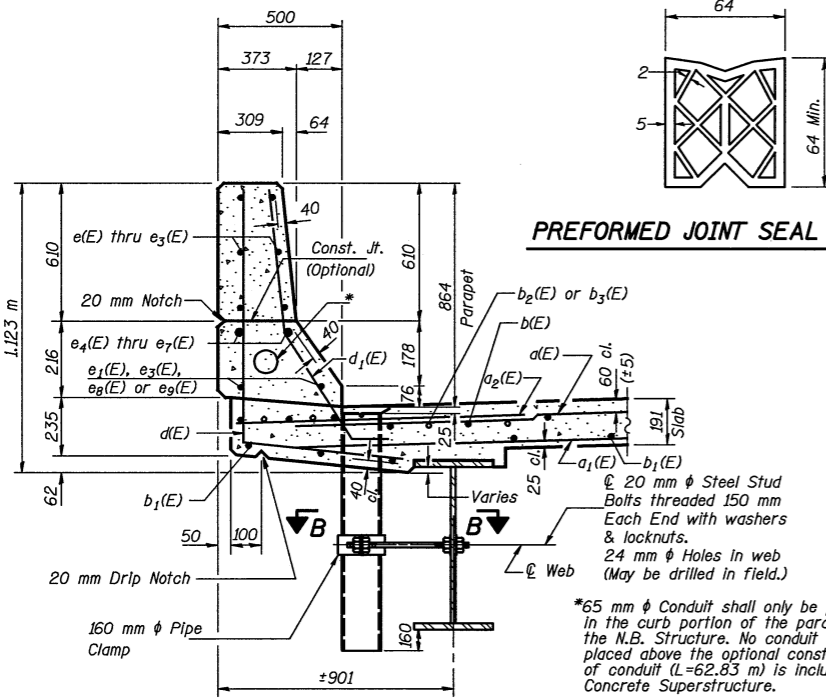
**SUPERSTRUCTURE
 BILL OF MATERIAL**

Bar	No.	Size	Length (m)	Shape
a(E)	760	#15	3.76	—
a ₁ (E)	552	#15	3.57	—
a ₂ (E)	380	#20	1.20	—
a ₃ (E)	16	#15	0.60	—
b(E)	224	#15	8.28	—
b ₁ (E)	182	#15	9.32	—
b ₂ (E)	48	#20	5.33	—
b ₃ (E)	24	#20	5.52	—
d(E)	420	#15	1.58	L
d ₁ (E)	458	#15	1.21	L
e(E)	48	#15	5.87	—
e ₁ (E)	64	#15	2.05	—
e ₂ (E)	72	#15	4.26	—
e ₃ (E)	32	#15	2.13	—
e ₄ (E)	8	#25	11.83	—
e ₅ (E)	16	#25	2.05	—
e ₆ (E)	16	#25	7.14	—
e ₇ (E)	8	#25	2.13	—
e ₈ (E)	16	#15	6.24	—
e ₉ (E)	16	#15	6.80	—
Reinforcement Bars, Epoxy Coated		kg	20980	
Concrete Superstructure		m ³	141.9	

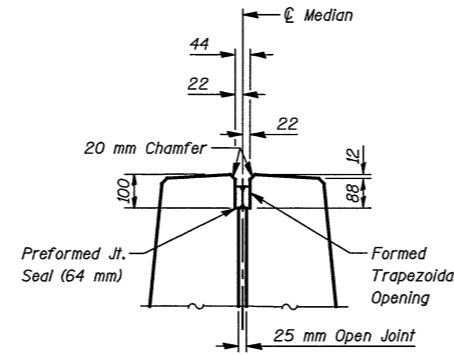
Bars indicated thus 1 x 3-#15 etc. indicates 1 line of bars with 3 lengths per line.
 All dimensions are in millimeters (mm) except as noted.



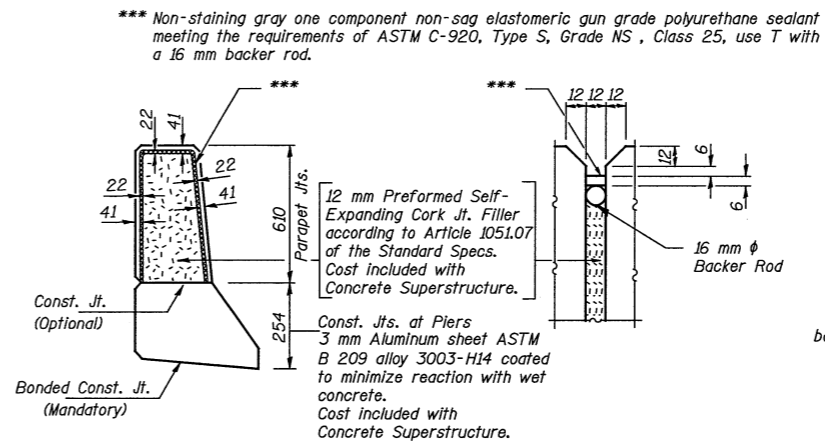
**INSIDE ELEVATION OF STAGE 1 PARAPET
 (SHOWING NORTH PARAPET N.B. LANES)**



PREFORMED JOINT SEAL (64 mm)



LONG. JT. DETAIL

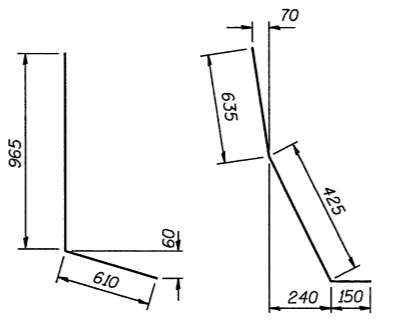


PARAPET JOINT DETAILS

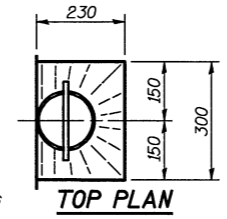
MIN. BAR LAPS IN PARAPET

#15 bars = 640
 #25 bars = 1.32 m

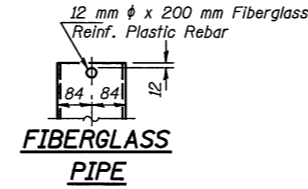
**SECTION THRU MEDIAN PARAPET
 (showing drain)**



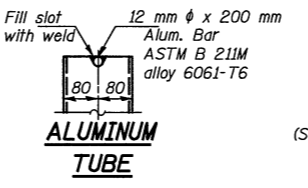
BAR d(E) **BAR d₁(E)**



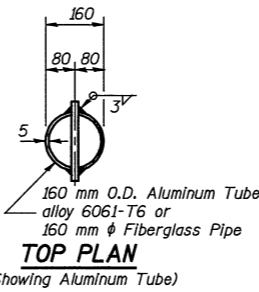
TOP PLAN



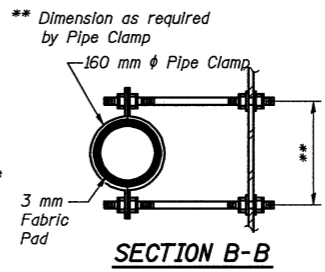
FIBERGLASS PIPE



ALUMINUM TUBE



**TOP PLAN
 (Showing Aluminum Tube)**



SECTION B-B

NOTES

The exterior surfaces of the floor drains shall be painted with the finish coat as specified in the special provisions for Cleaning and Painting New Metal Structures. The exterior surfaces of the drains shall be cleaned according to Steel Structures Painting Council's Spec. SSPC-SP1 prior to painting.
 Fiberglass pipe shall conform to ASTM D 2996, with short-time rupture strength hoop tensile stress of 200 MPa minimum.
 Drains shall be located clear of all diaphragms.

ILLINOIS DEPARTMENT OF TRANSPORTATION
 SHEET TITLE: SUPERSTRUCTURE - STAGE I DETAILS
 PROJECT: F.A.I. 55 OVER BUSINESS U.S. 51
 SECTION 57-4HBR-4 STATION 37+474.206
 McLEAN COUNTY
 STRUCTURE NO. 057-0024 (N.B.) &
 STRUCTURE NO. 057-0025 (S.B.)
 PROJECT NO. 08049-5
 SCALE: 07/15/2009
 DRAWN BY: TFG/CFC
 CHECKED BY: CME/MCB
 DESIGNER: COOMBE-BLOXDORF P.C.
 Engineers / Land Surveyors
 Springfield, Illinois
 Design Firm License No. 184-002703
 SHEET NO. 11
 OF 24 SHTS