

F.A.I. RTE.	SECTION	COUNTY	TOTAL SHEETS	SHEET NO.
55		McLEAN	310	189

FED. ROAD DIST. NO. 7 ILLINOIS FAP
 (57-4)R, HBY, HBR, (57-4VB)DM
 Contract No. 70757

Notes:

All cast iron parts shall be gray iron conforming to the requirements of AASHTO M 105, Class 35B.
 Bolts, anchor studs, washers and nuts shall conform to the requirements of ASTM A 307 and shall be galvanized according to AASHTO M 232.

Downspouts located on the exterior side of a painted steel fascia beam shall be painted with the finish coat specified for the exterior side of the fascia beam.

As an alternate, bolts, anchor studs, washers and nuts may be stainless steel according to Article 1006.29(d) of the Standard Specifications.

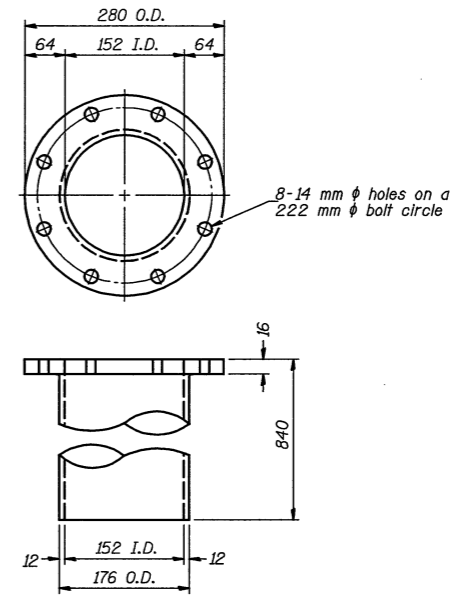
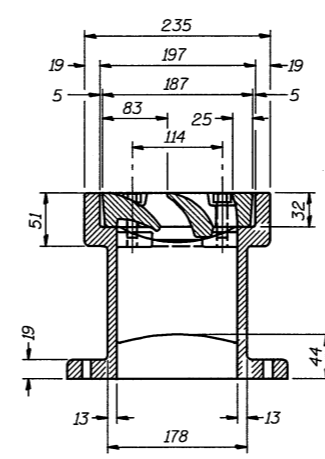
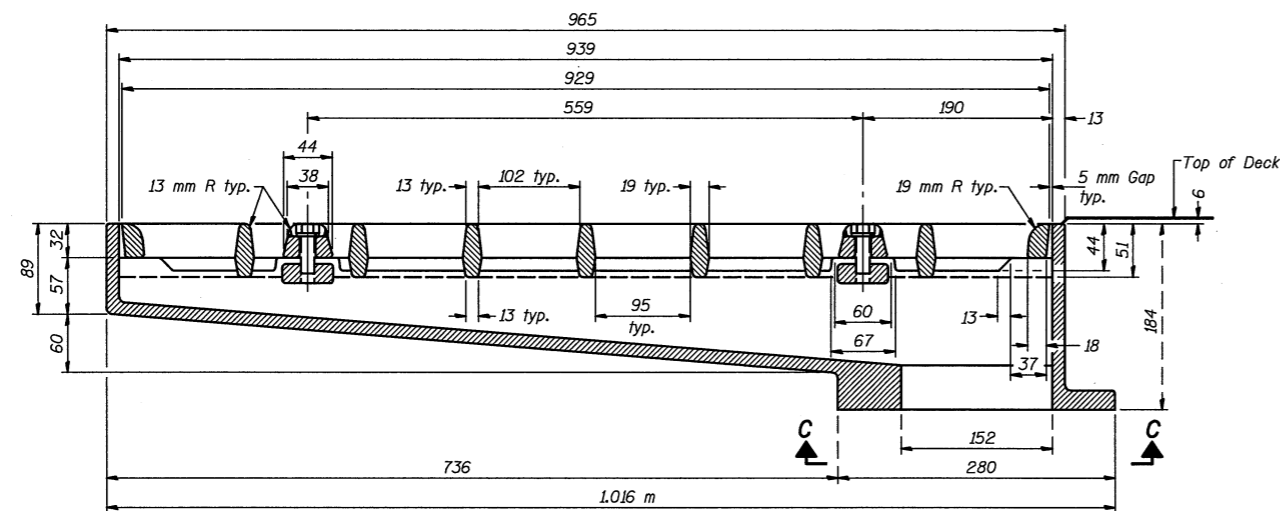
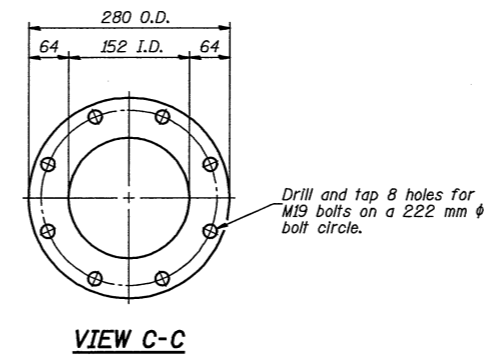
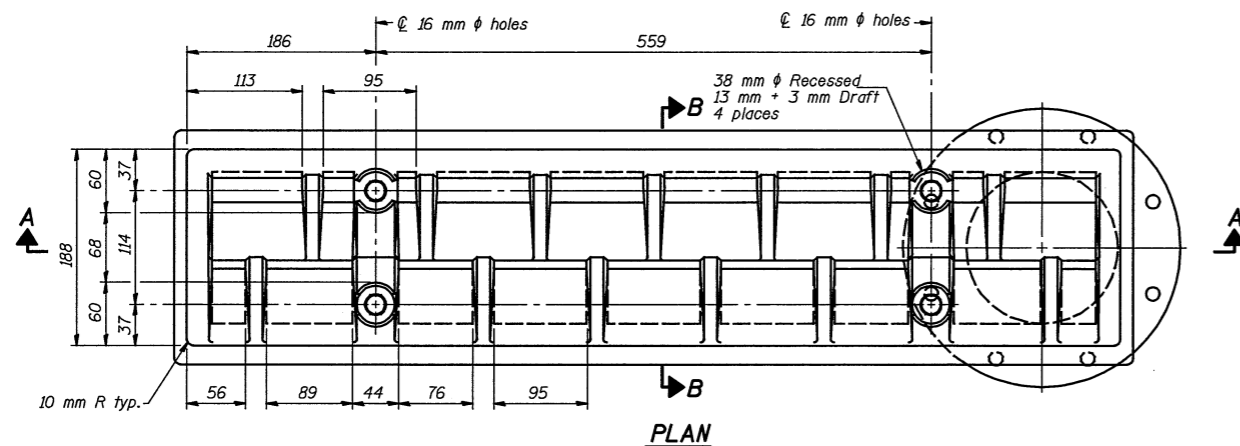
Structural steel weldments of equal sections and of the same configuration may be substituted for the cast iron scupper frame. Fillet or full penetration welds shall be used for the weldments. Details shall be submitted to the Engineer for approval. Structural steel weldments shall not be substituted for the cast iron scupper grate. Structural steel frames and downspouts shall be galvanized according to AASHTO M 111.

The Contractor shall take appropriate measures to assure that Protective Coat is not applied to the scupper.

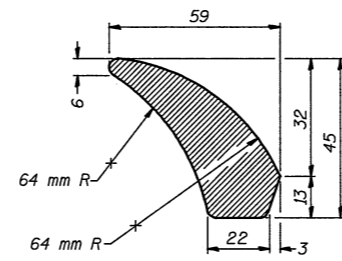
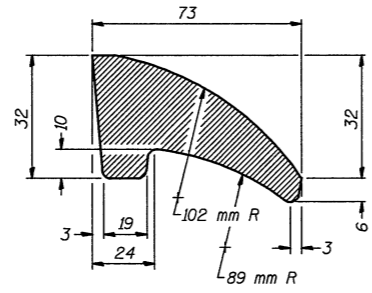
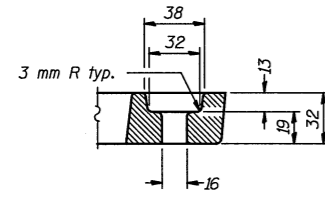
Cost of the Grate, Frame, Downspout, Anchor Studs, Bolts, Washers and Nuts including complete installation of the scupper shall be paid for at the contract unit price each for Drainage Scupper, DS-33.

Alternate fiberglass downspout conforming to ASTM D 2996 with a short-time rupture strength hoop tensile stress of 207 MPa min. may be used in lieu of the cast iron or steel equivalent.

All dimensions are in millimeters (mm) except as shown.



SECTION A-A
 See sheet 10 of 32 for scupper location relative to parapet.



BILL OF MATERIAL

ITEM	UNIT	QUANTITY
Drainage Scupper, DS-33	Each	2

ILLINOIS DEPARTMENT OF TRANSPORTATION	
SHEET TITLE DRAINAGE SCUPPER, DS-33	
PROJECT F.A.I. 55 OVER BUSINESS U.S. 51 SECTION 57-4HBR-4 STATION 37+474.206 McLEAN COUNTY	PROJECT NO. 08049-5
STRUCTURE NO. 057-0024 (N.B.) & STRUCTURE NO. 057-0025 (S.B.)	DATE 07/15/2009 DRAWN BY TFG/CFC CHECKED BY CME/MCB
COOMBE-BLOXDORF P.C. Engineers / Land Surveyors Springfield, Illinois Design Firm License No. 184-002703	DRAWING NO. 13
	OF 24 SHTS