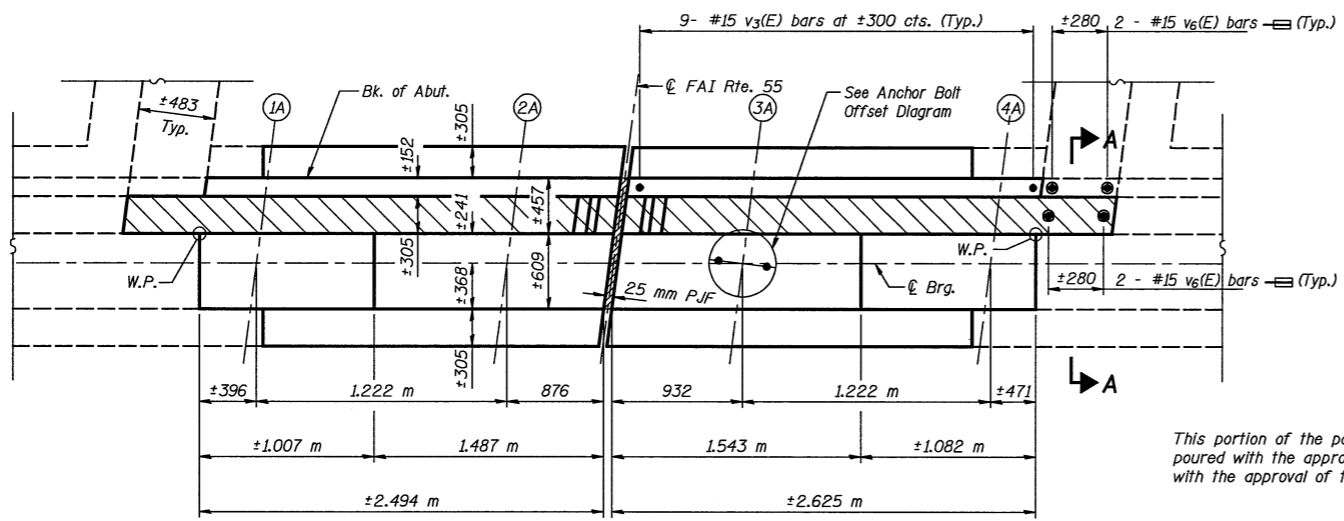
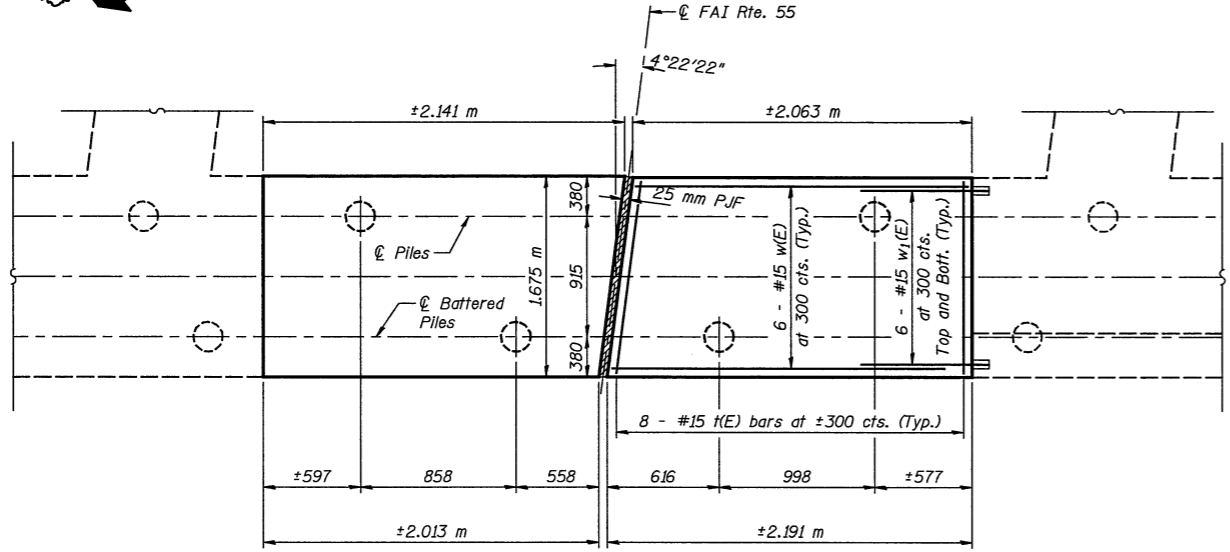


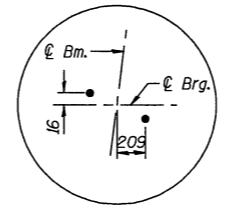
ELEVATION



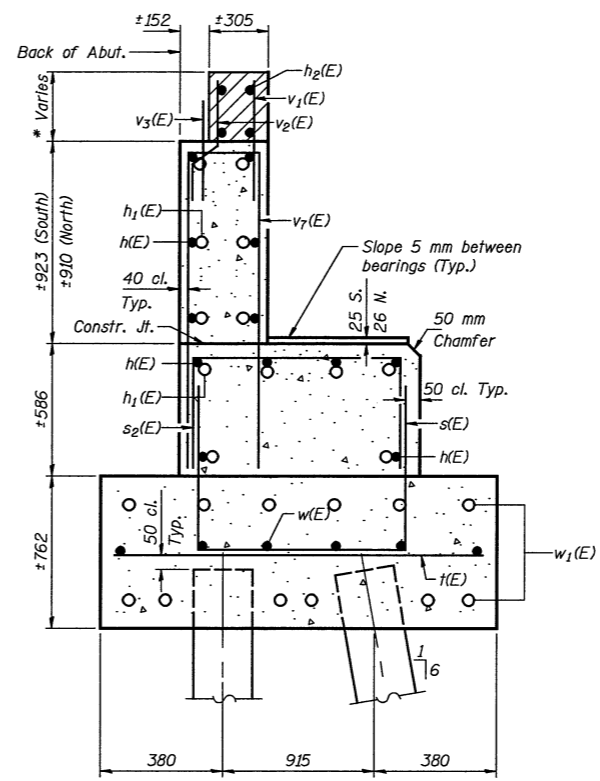
TOP VIEW



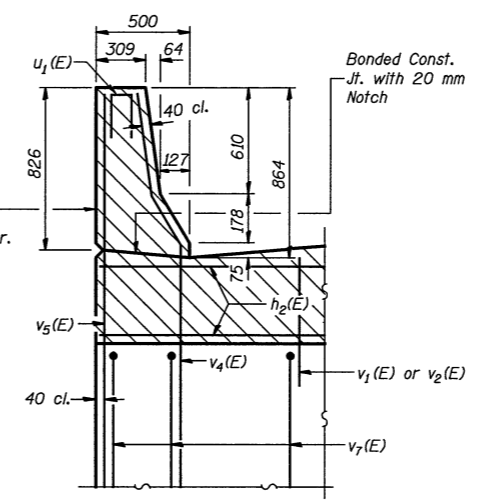
FOOTING PLAN



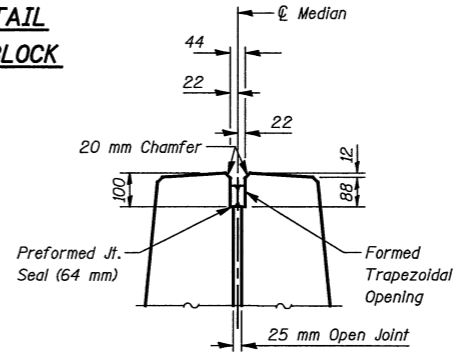
ANCHOR BOLT OFFSET DIAGRAM



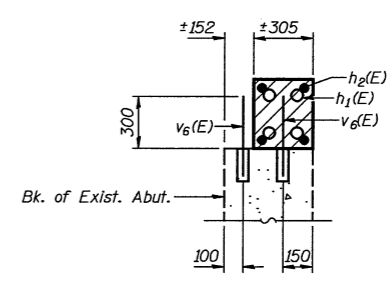
SECTION THROUGH WIDENED ABUTMENT
 at right angles



PARAPET DETAIL
 at right angles



LONG. JT. DETAIL



SECTION A-A

NOTES

- Denotes bars that are to be epoxy grouted into drilled holes. The center of the hole is to be drilled a minimum of 100 mm from the face of the existing structure. All holes shall be drilled to a depth of 230 mm with a 22 mm diameter. See Section 584 of the Standard Specifications.
- Cost of 25 mm P.J.F. is included with Concrete Structures.
- Hatched areas shall be poured after superstructure is in place. Quantity is included with Concrete Superstructure on Sheet 11 of 24.
- All dimensions are in millimeters (mm) except as noted.
- See Sheet 20 of 24 for Concrete Removal Details, Bar Details and Bill of Material.
- Pour steps monolithically with cap.
- Space reinforcement in cap to miss anchor bolts.
- See Sheet 24 of 24 for Pile Details.
- Concrete sealer shall be applied to the exposed face of the proposed backwall and cap and to the top of the proposed cap.

PILE DATA

Type & Size: Metal pile shell 305 mm x 4.55 mm walls
 Nominal Required Bearing: 930 kN
 Allowable Resistance Available: 310 kN
 Est. Length: 9.0 m
 No. Required: 4 (Two Abutments)

ILLINOIS DEPARTMENT OF TRANSPORTATION	
SHEET TITLE EAST ABUTMENTS	
PROJECT F.A.I. 55 OVER BUSINESS U.S. 51 SECTION 57-4HR-4 STATION 37+474.206 McLEAN COUNTY STRUCTURE NO. 057-0024 (N.B.) & STRUCTURE NO. 057-0025 (S.B.)	PROJECT NO. 08049-5 SCALE DATE 07/15/2009 DRAWN BY TFG/CFC CHECKED BY CME/MCB
DRAWING NO. COOMBE-BLOXDORF P.C. Engineers / Land Surveyors Springfield, Illinois Design Firm License No. 184-002703	
19 OF 24 SHTS	