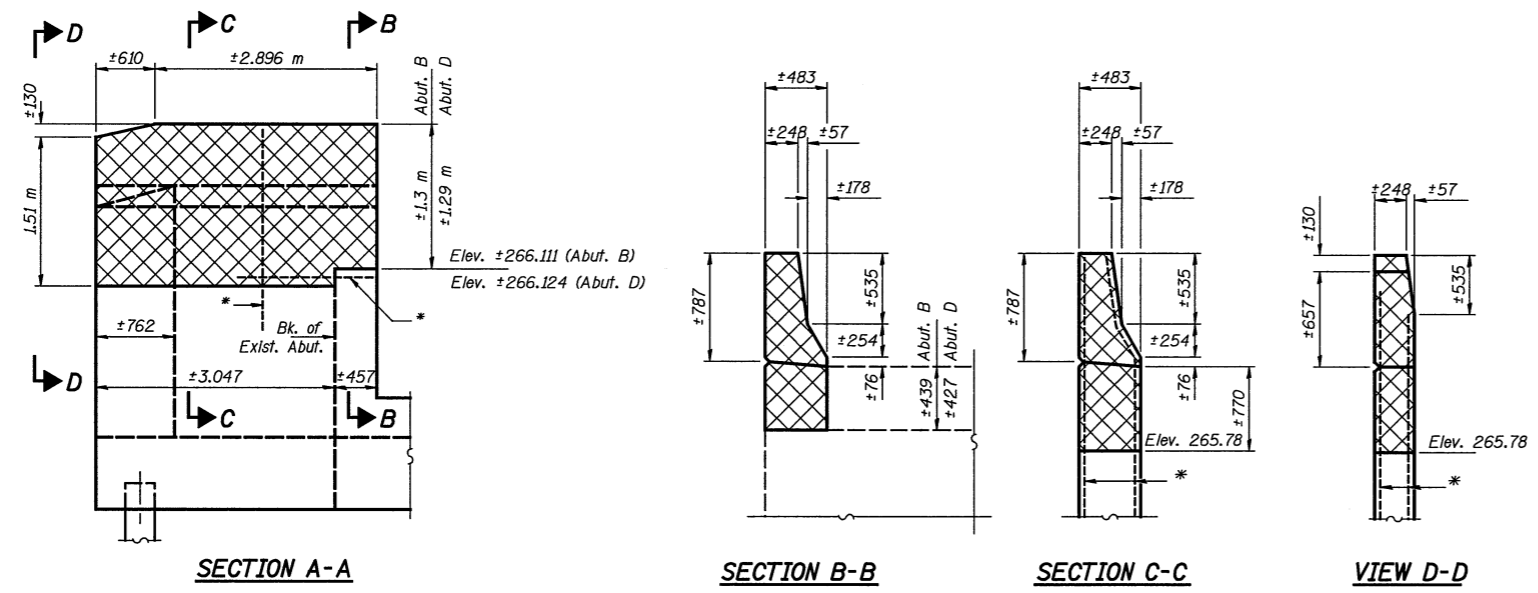
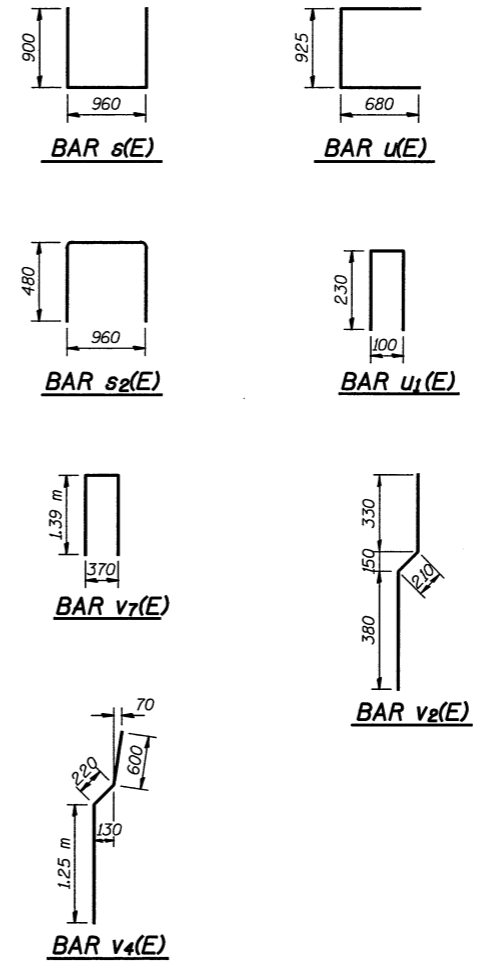


EXIST. ABUTMENT PARTIAL PLAN



**CONCRETE REMOVAL DETAILS**

Notes: Cross-hatched areas indicate concrete removal.  
 \* Indicates reinforcement to be cut off flush at the removal line. Cost included with "Concrete Removal".



**TWO ABUTMENTS  
BILL OF MATERIAL**

Bar	No.	Size	Length (m)	Shape
h(E)	28	#15	2.39	—
h <sub>1</sub> (E)	36	#15	1.04	—
h <sub>2</sub> (E)	8	#15	2.92	—
s(E)	18	#15	2.76	U
s <sub>2</sub> (E)	22	#15	1.92	U
k(E)	16	#15	1.57	—
u(E)	4	#20	2.29	—
u <sub>1</sub> (E)	4	#15	0.56	—
v <sub>1</sub> (E)	16	#15	0.9	—
v <sub>2</sub> (E)	16	#15	0.92	—
v <sub>3</sub> (E)	18	#15	0.6	—
v <sub>4</sub> (E)	4	#15	2.07	—
v <sub>5</sub> (E)	4	#15	2.06	—
v <sub>6</sub> (E)	8	#15	0.56	—
v <sub>7</sub> (E)	18	#15	3.15	—
w(E)	12	#15	1.96	—
w <sub>1</sub> (E)	24	#15	0.9	—
Concrete Removal		m <sup>3</sup>	4.3	
Structure Excavation		m <sup>3</sup>	20	
Concrete Structures		m <sup>3</sup>	10.7	
Reinforcement Bars, Epoxy Coated		kg	660	
Furnishing Metal Pile Shells 305 mm x 4.55 mm		m	36	
Driving Piles		m	36	
Concrete Sealer		m <sup>2</sup>	9.9	

ILLINOIS DEPARTMENT OF TRANSPORTATION  
 SHEET TITLE: EAST ABUTMENT DETAILS

PROJECT: F.A.I. 55 OVER BUSINESS U.S. 51  
 SECTION 57-4HBR-4 STATION 37+474.206  
 McLEAN COUNTY  
 STRUCTURE NO. 057-0024 (N.B.) &  
 STRUCTURE NO. 057-0025 (S.B.)

PROJECT NO. 08049-5  
 SCALE: 07/15/2009  
 DRAWN BY: TFG/CFC  
 CHECKED BY: CME/MCB

**COOMBE-BLOXDORF P.C.**  
 Engineers / Land Surveyors  
 Springfield, Illinois  
 Design Firm License No. 184-002703

20  
 OF 24 SHTS