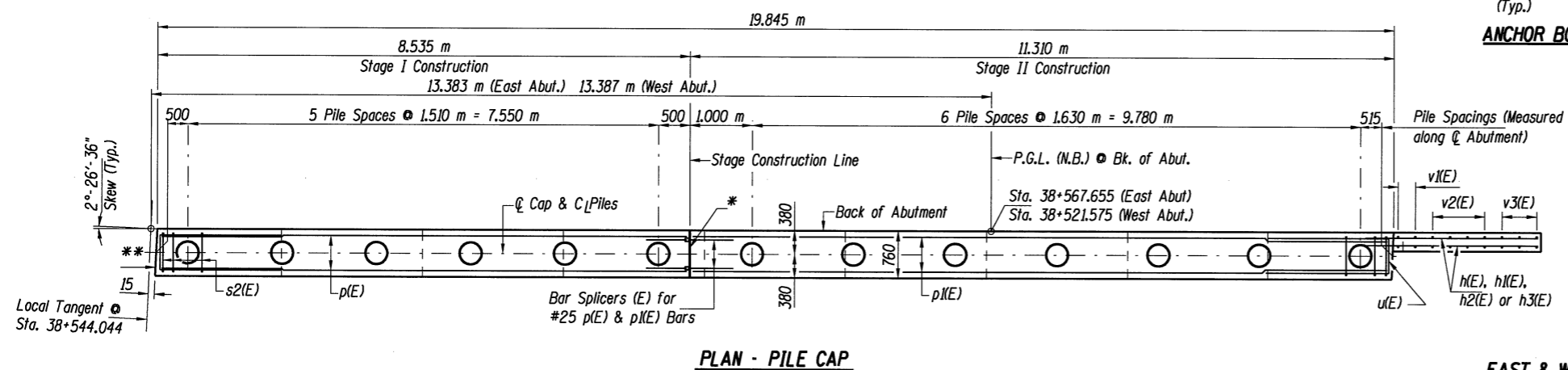
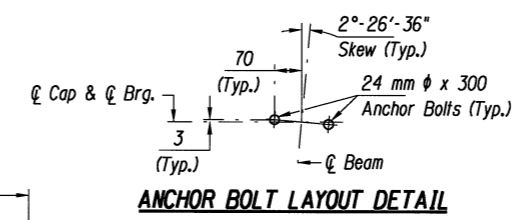
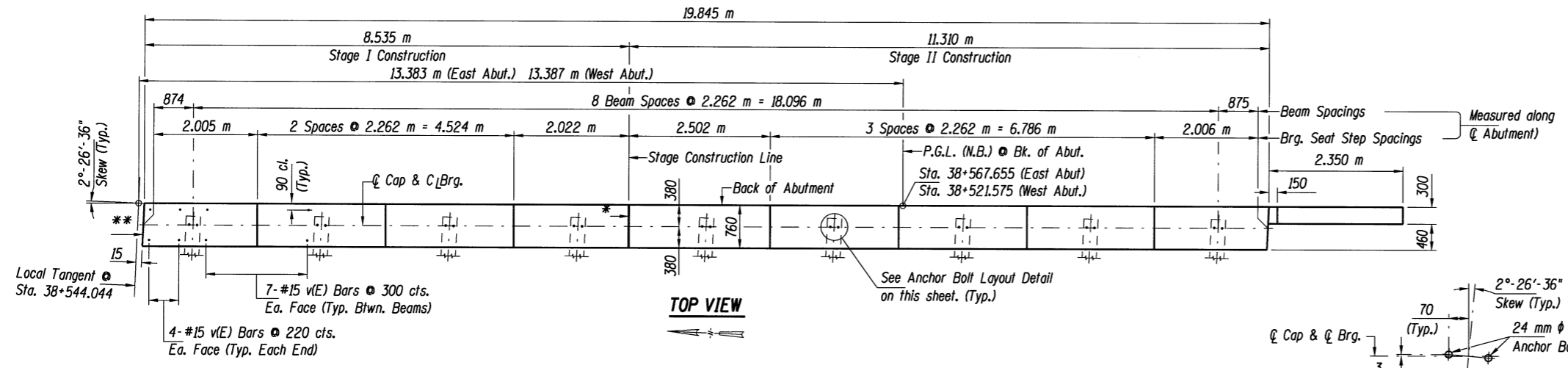
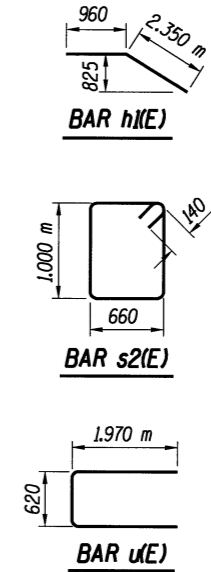
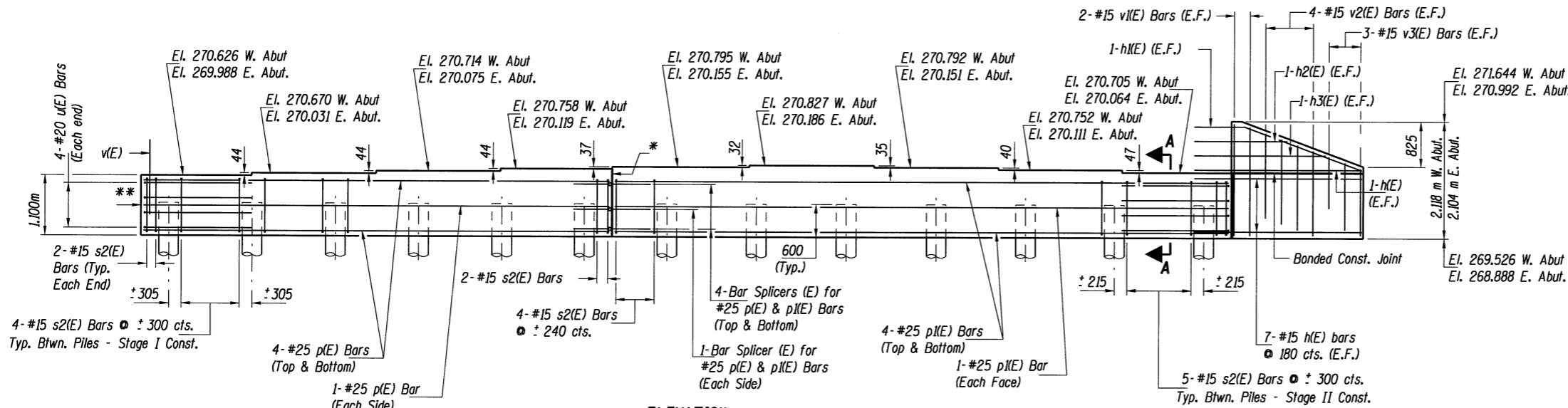


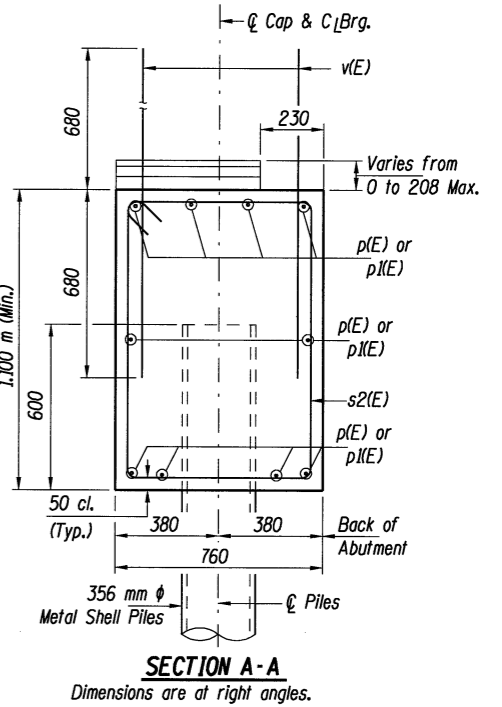
BILL OF MATERIAL
EAST & WEST ABUTMENTS - NORTHBOUND

Bar	No.	Size	Length (m)	Shape	
h(E)	32	#15	3.00	—	
h1(E)	4	#15	3.31	—	
h2(E)	4	#15	2.00	—	
h3(E)	4	#15	2.75	—	
p(E)	20	#25	8.43	—	
p1(E)	20	#25	11.21	—	
s2(E)	120	#15	3.60	□	
u(E)	16	#20	4.56	□	
v(E)	256	#15	1.36	—	
v1(E)	8	#15	1.93	—	
v2(E)	16	#15	1.51	—	
v3(E)	12	#15	1.19	—	
Reinforcement Bars, Epoxy Coated				kg	3,220
Concrete Structures				m ³	35.8
Structure Excavation				m ³	233
Furnishing Metal Shell Piles, 356 mm x 6.35 mm				m	231.5
Driving Piles				m	231.5
Test Piles, Metal Shells				Each	1



PILE DATA
EAST & WEST ABUTMENTS - NORTHBOUND

Type and Size: Metal Shell Piles 356 mm Dia. x 6.35 mm walls
 Nominal Required Bearing: 930 kN
 Allowable Resistance Available: 310 kN
 Est. Length: 9.5 m @ E. Abut.
 9.0 m @ W. Abut.
 Number Required: 26***
 ***Includes one test pile at West Abutment



EAST & WEST ABUTMENTS - NORTHBOUND
F.A.I. 55 OVER LINDEN STREET
SECTION (57-4HB-3)BR
STRUCTURE NO. 057-0235 (N.B.) & 057-0236 (S.B.)
McLEAN COUNTY
STATION 38+544.044

Copyright Hanson Professional Services Inc. 2003



JOB NO.
94S2063
DATE
03/26/04

- Notes:
- Cast steps monolithically with cap.
 - All edges shall have standard 20 mm chamfers except as noted.
 - See Sheet 29 of 31 for Bar Splicer (Splicer Details).
 - Reinforcement bars designated (E) shall be Epoxy Coated.
 - All Dimensions are in millimeters (mm) except as noted.

- * Bonded Construction Joint @ Stage Construction Line.
 ** Premolded Joint Filler & Water Seal between abutments. See Sheet 2 of 31 for Details.

TIME \$ 8/16/2009
 FILE \$
 LAYOUT G.L.C. 11/2/97
 DRAWN D.A.N. 11/2/97
 REVIEWED * 7/7/00