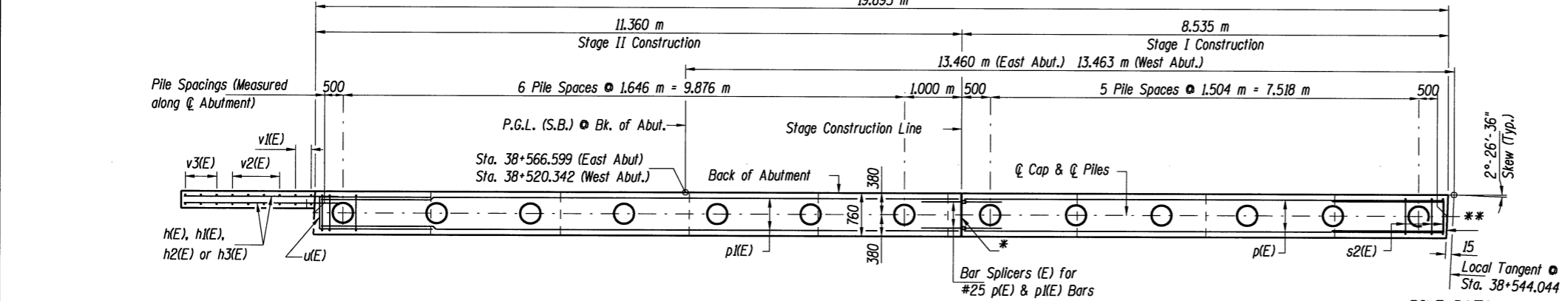
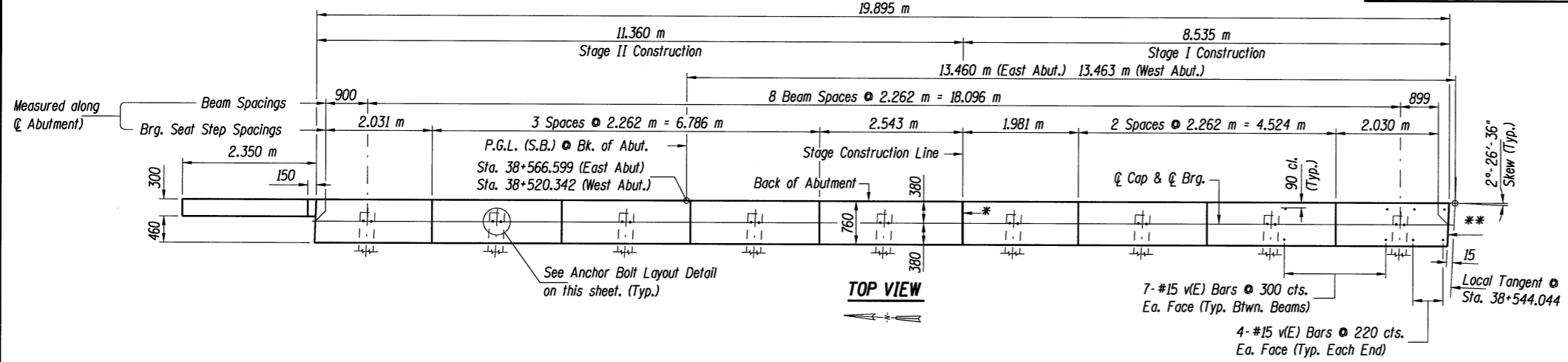
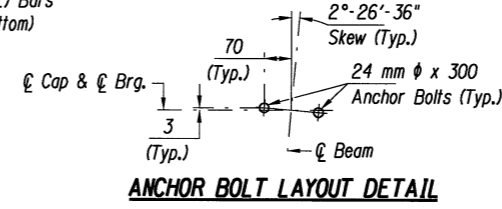
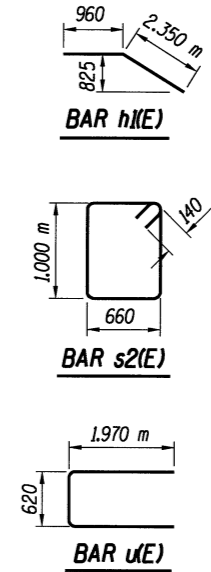
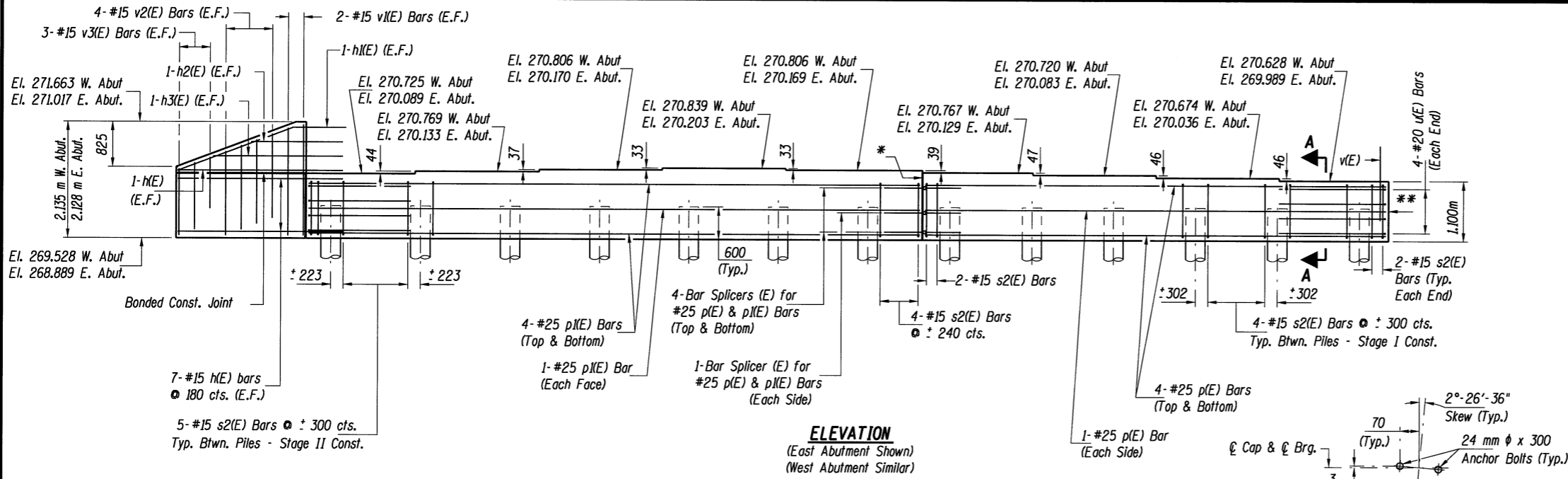
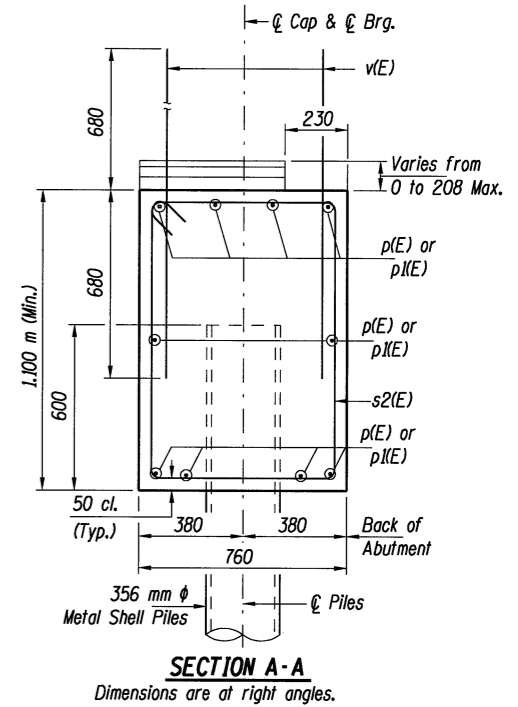


BILL OF MATERIAL
EAST & WEST ABUTMENTS - SOUTHBOUND

Bar	No.	Size	Length (m)	Shape
h(E)	32	#15	3.00	—
h1(E)	4	#15	3.31	—
h2(E)	4	#15	2.00	—
h3(E)	4	#15	2.75	—
p(E)	20	#25	8.43	—
p1(E)	20	#25	11.21	—
s2(E)	120	#15	3.60	□
u(E)	16	#20	4.56	□
v(E)	256	#15	1.36	—
v1(E)	8	#15	1.93	—
v2(E)	16	#15	1.51	—
v3(E)	12	#15	1.19	—
Reinforcement Bars, Epoxy Coated		kg	3,220	
Concrete Structures		m ³	36.0	
Structure Excavation		m ³	233	
Furnishing Metal Shell Piles, 356 mm x 6.35 mm		m	231	
Driving Piles		m	231	
Test Piles, Metal Shells		Each	1	



PILE DATA
EAST & WEST ABUTMENTS - SOUTHBOUND
 Type and Size: Metal Shell Piles 356 mm Dia. x 6.35 mm walls
 Nominal Required Bearing: 930 kN
 Allowable Resistance Available: 310 kN
 Est. Length: 9.5 m @ E. Abut., 9.0 m @ W. Abut.
 Number Required: 26***
 ***Includes one test pile at East Abutment.



EAST & WEST ABUTMENTS - SOUTHBOUND
F.A.I. 55 OVER LINDEN STREET
SECTION (57-4HB-3)BR
STRUCTURE NO. 057-0235 (N.B.) & 057-0236 (S.B.)
McLEAN COUNTY
STATION 38+544.044

© Copyright Hanson Professional Services Inc. 2003
HANSON
 JOB NO. 94S2063
 DATE 03/26/04

TIME \$ 8/16/2009
 LAYOUT DRAWN D.A.N. 11/5/97
 REVIEWED

- Notes:
 1. Cast steps monolithically with cap.
 2. All edges shall have standard 20 mm chamfers except as noted.
 3. See Sheet 29 of 31 for Bar Splicer (Splicer Details).
 4. Reinforcement bars designated (E) shall be Epoxy Coated.
 5. All Dimensions are in millimeters (mm) except as noted.

- * Bonded Construction Joint @ Stage Construction Line.
 ** Premolded Joint Filler & Water Seal between abutments. See Sheet 2 of 31 for Details.