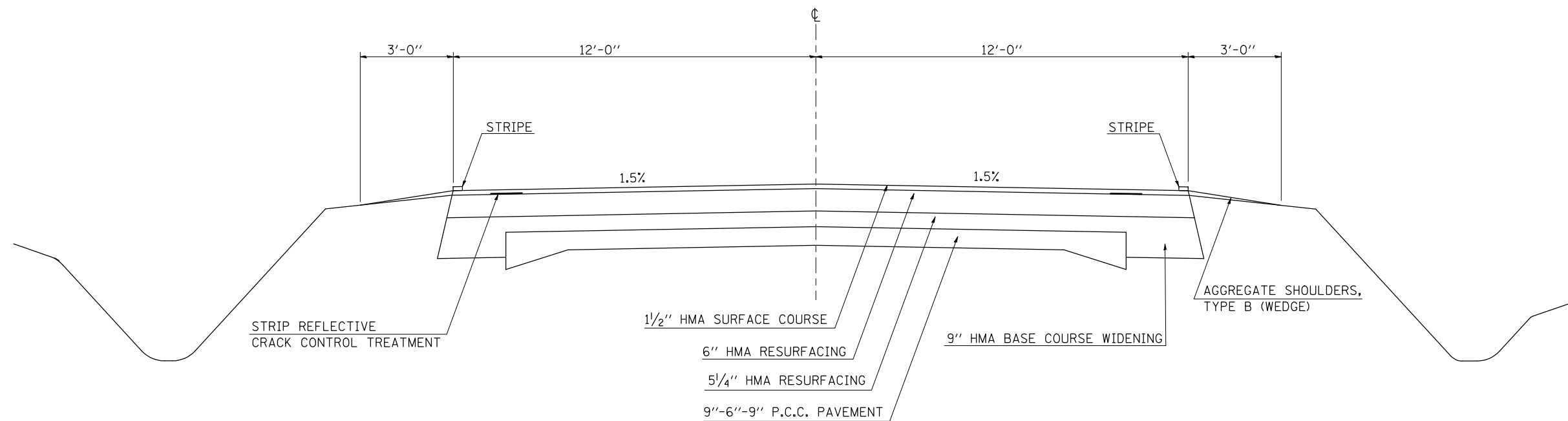


⑤ EXISTING TYPICAL CROSS SECTION

④ STATION 1363+55.06 TO STATION 1364+36.00 ⑥

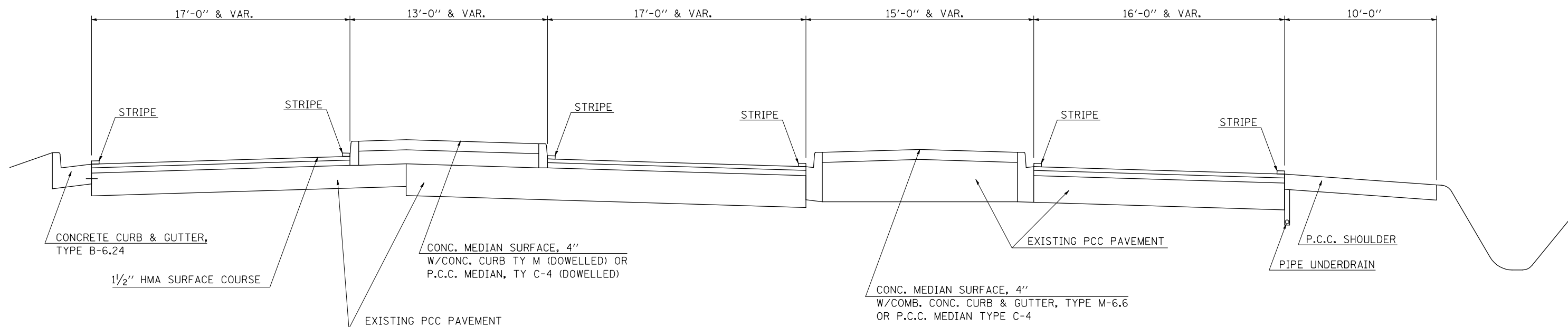


⑥ EXISTING TYPICAL CROSS SECTION

⑤ STATION 1364+36.00 TO STATION 3366+96.66

STATION EQUATION:

STATION 1365+41.36 (BK) = STATION 3365+41.36 (AH)



FILE NAME =	USER NAME = bowerml	DESIGNED - GTR	REVISED -
ct:\pwwork\pwidot\BOWERML\d0112471\70763-sht-typical.dgn		DRAWN - BBP	REVISED -
		CHECKED - GTR	REVISED -
		DATE - 01/07/09	REVISED -

**STATE OF ILLINOIS
DEPARTMENT OF TRANSPORTATION**

EXISTING TYPICAL CROSS SECTIONS

SCALE: N/A SHEET NO. OF SHEETS STA. TO STA.

F.A.P. RTE.	SECTION	COUNTY	TOTAL SHEETS	SHEET NO.
91	(1,2)RS-4 & 3RS-3	EDGAR	23	8
CONTRACT NO. 70763				
ILLINOIS FED. AID PROJECT				