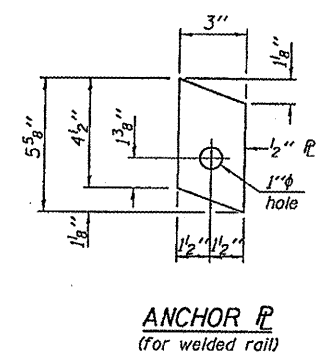
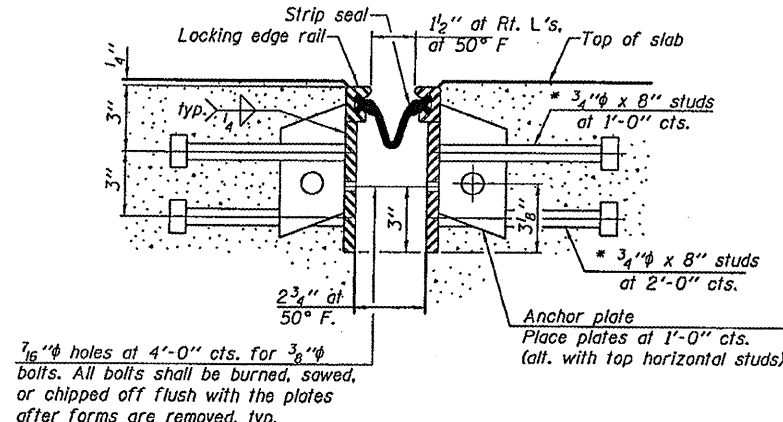
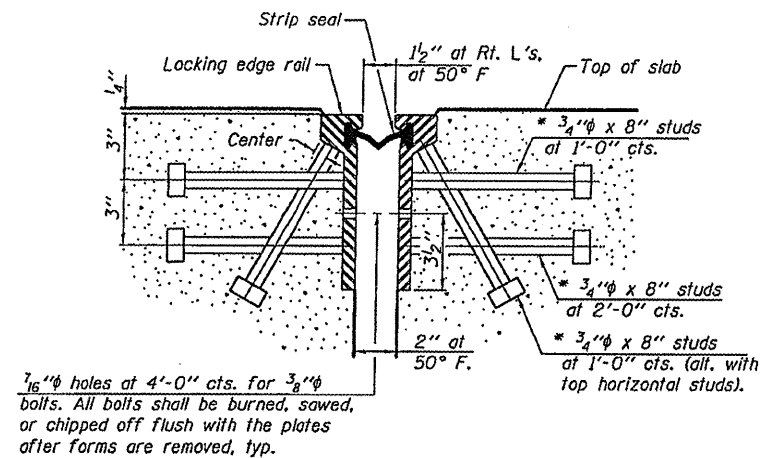


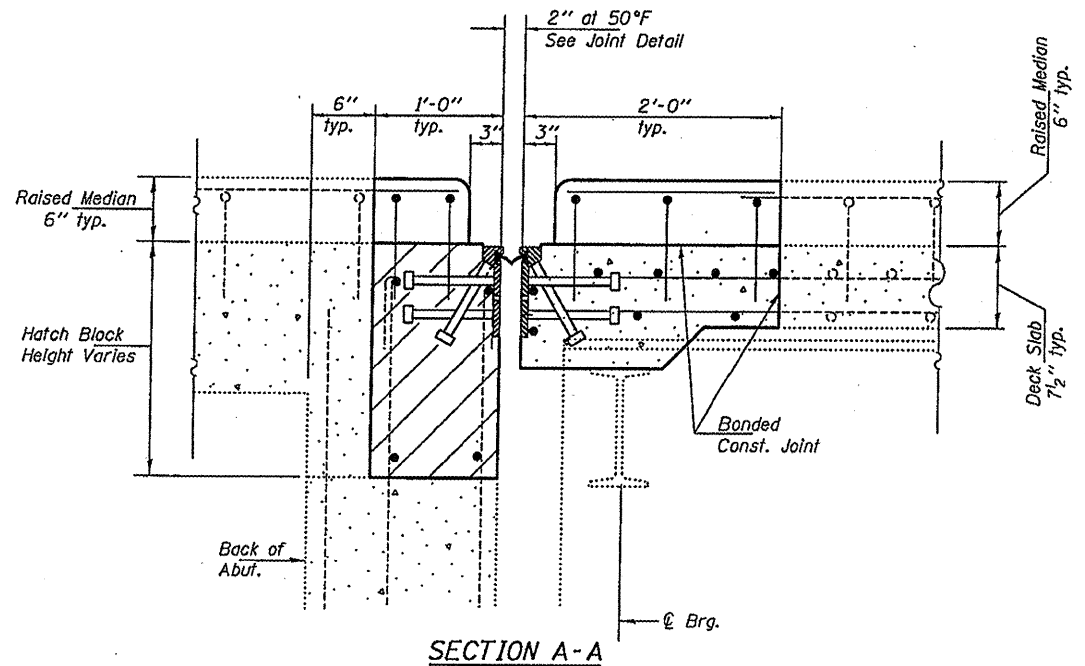
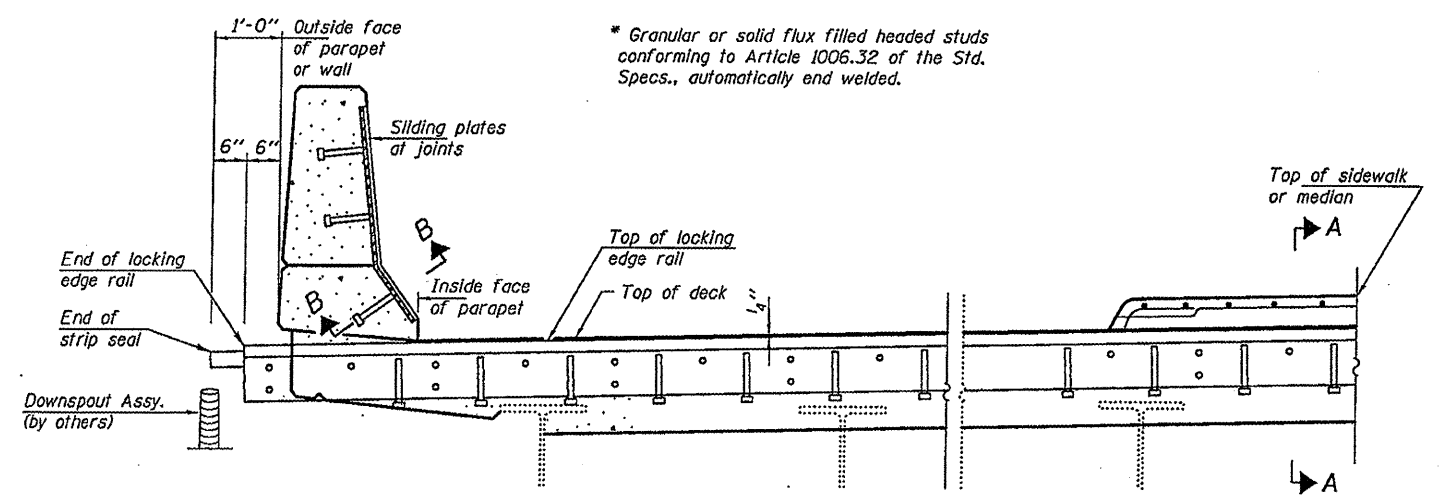
STATE OF ILLINOIS  
DEPARTMENT OF TRANSPORTATION



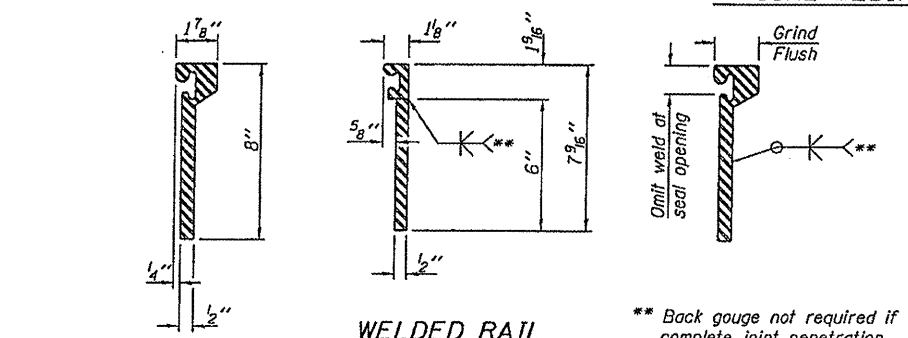
Notes:  
The strip seal shall be made continuous and shall have a minimum thickness of 1/4". The configuration of the strip seal shall match the configuration of the Locking Edge Rails. Open or "webbed" strip seal gland configurations are not permitted. The gland shall be sized for a maximum rated movement of 4 inches. The height and thickness of the Locking Edge Rails shown are minimum dimensions. The actual configuration of the Locking Edge Rails and matching strip seal may vary from manufacturer to manufacturer. Flanged edge rails will not be allowed. Locking Edge Rails may be spliced at slope discontinuities and stage construction joints. The manufacturer's recommended installation methods shall be followed. The joint opening and deck dimensions detailed on the superstructure are based on a rolled rail expansion joint. If the Contractor elects to use the welded rail expansion joint, the opening and deck dimensions shall be modified according to the dimensions detailed on this sheet. Required modifications shall be made at no additional cost to the State. All steel components shall be galvanized after fabrication according to Article 520.03 of the Standard Specifications.

SECTION THRU ROLLED RAIL JOINT

SECTION THRU WELDED RAIL JOINT



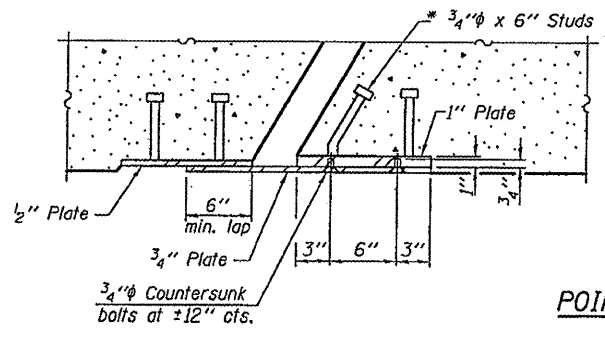
SECTION A-A



WELDED RAIL

ROLLED EXTRUDED RAIL

LOCKING EDGE RAIL SPLICE



POINT BLOCK DETAILS (for skews > 30°)

Notes:  
Locking edge rails are to be placed 1/4" below the deck elevation through the median. Stop raised median 3" short of deck ends and 3" short of face of abutments. See median details for reinforcement required.

BILL OF MATERIAL

Item	Unit	Total
Preformed Joint Strip Seal	Foot	220

PREFORMED JOINT STRIP SEAL  
US RTE 150 OVER I-74  
SN 057-0073

LOCKING EDGE RAILS

DESIGNED	GGE	SEPTEMBER 16, 2009
CHECKED	AJB	EXAMINED <i>Carl Proyer</i>
DRAWN	balva	PASSED <i>Ralph E. Anderson</i>
CHECKED	GGE AJB	

SHEET NO. 5	F.A.S. RTE. 2466	SECTION (57-18)BJR	COUNTY MC LEAN	TOTAL SHEETS 17	SHEET NO. 15
7 SHEETS	CONTRACT NO. 70807				
FED. ROAD DIST. NO. ILLINOIS FED. AID PROJECT					