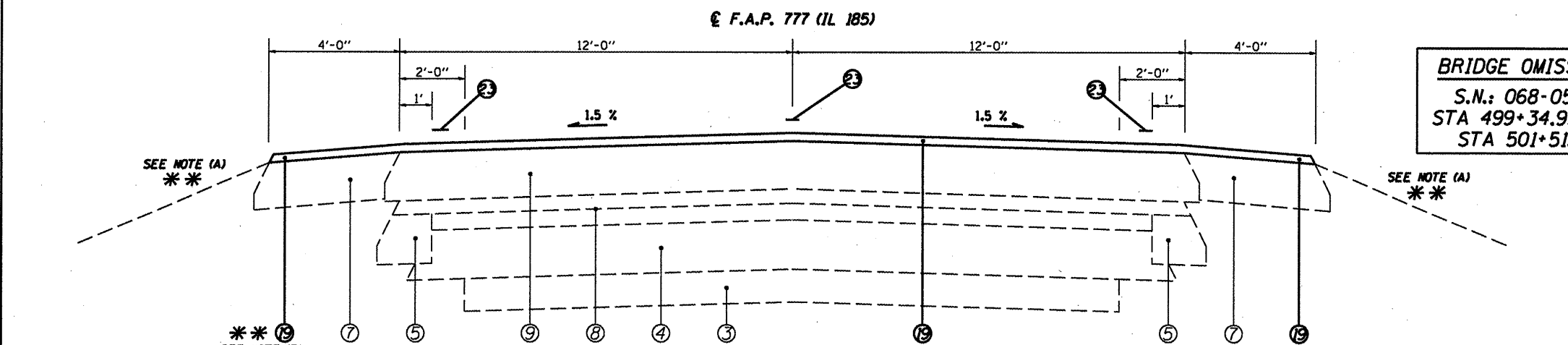
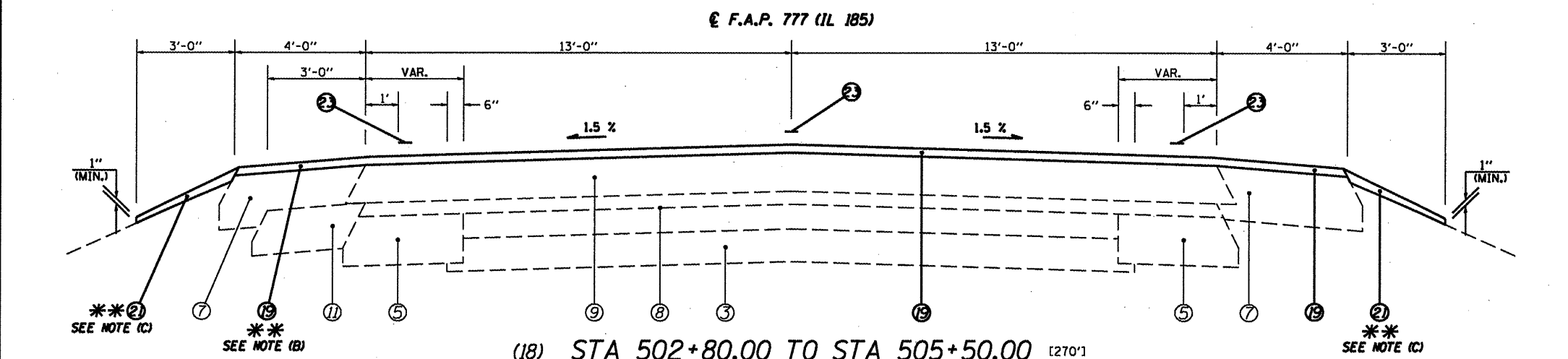


(16) STA 498+09.00 TO STA 499+34.95 [125.95']



(17) STA 501+51.95 TO STA 502+80.00 [128.05']



(18) STA 502+80.00 TO STA 505+50.00 [270']

- LEGEND**
- ① EXIST. P.C.C. SIDEWALK 4"
  - ② EXIST. SUB-BASE GRANULAR MATERIAL 4"
  - ③ EXIST. AGGREGATE BASE COURSE 6"
  - ④ EXIST. STABILIZED BASE COURSE, VAR. FR. 0 TO 9"
  - ⑤ EXIST. BITUMINOUS BASE COURSE WIDENING 9"
  - ⑥ EXIST. BITUMINOUS BASE COURSE WIDENING 8"
  - ⑦ EXIST. BITUMINOUS BASE COURSE 10"
  - ⑧ EXIST. BITUMINOUS OVERLAY 7"
  - ⑨ EXIST. BITUMINOUS OVERLAY
  - ⑩ EXIST. CONCRETE GUTTER, TYPE A
  - ⑪ EXIST. BITUMINOUS SHOULDERS 8"
  - ⑫ EXIST. BITUMINOUS SHOULDERS 10"
  - ⑬ EXIST. AGGREGATE SHOULDER, TYPE B
  - ⑭ EXIST. PIPE UNDERDRAIN 4"
  - ⑮ PROP. HOT-MIX ASPHALT SURFACE REMOVAL (VARIABLE DEPTH) \*
  - ⑯ PROP. HOT-MIX ASPHALT SURFACE REMOVAL 2 1/4"
  - ⑰ PROP. HOT-MIX ASPHALT SURFACE REMOVAL 1 1/2"
  - ⑱ PROP. LEVELING BINDER (MACHINE METHOD), N50 3/4"
  - ⑲ PROP. HOT-MIX ASPHALT SURFACE COURSE, MIX "C", N50 1 1/2"
  - ⑳ PROP. HOT-MIX ASPHALT SHOULDERS
  - ㉑ PROP. AGGREGATE SHOULDERS, TYPE B
  - ㉒ PROP. THERMOPLASTIC PAVEMENT MARKING - LINE 5"
  - ㉓ PROP. PAINT PAVEMENT MARKING - LINE 5"

**BRIDGE OMISSION**  
 S.N.: 068-0505  
 STA 499+34.95  
 STA 501+51.95

\* NOMINAL MILLING DEPTH 1/2" @ 6'

**FULL S.E.:** (S.E.#4 = 5.60%)  
 STA 496+37.64 TO 499+38.66  
**S.E. TRANSITION:**  
 STA 494+53.21 TO 496+37.64  
 STA 499+38.66 TO 501+23.09

- \*\* NOTE:**
- (A) NO PROP. AGGR SHLDRS, TY B DUE TO ADJACENT EXIST. GUARDRAIL
  - (B) 3' HMA SHLDRS FR. STA. 502+21.00 TO 503+75.00 LT
  - (C) PROP. AGG SHLDRS, TY B BEGINS @ STA. 502+66.00 RT & 503+75.00 LT.

(NOT TO SCALE)

FILE NAME =	USER NAME = coxjw	DESIGNED - JWC	REVISED -	<b>STATE OF ILLINOIS DEPARTMENT OF TRANSPORTATION</b>	<b>TYPICAL SECTIONS</b>			F.A.P. RTE. 777	SECTION 10RS-5	COUNTY Montgomery	TOTAL SHEETS 54	SHEET NO. 8
ct:\pvt\work\pwt\dot\coxjw\dms22861\ShhTyp\al.dgn	DRAWN - JWC	CHECKED - RSC	REVISED -		SCALE: NTS	SHEET NO. 5 OF 9 SHEETS	STA.	TO STA.	CONTRACT NO. 72A68			
PLOT SCALE = 1/8" = 1' IN.	DATE -	REVISED -	REVISED -		ILLINOIS FED. AID PROJECT							
PLOT DATE = Aug-13-2009 02:27:42PM	DATE -	REVISED -	REVISED -									