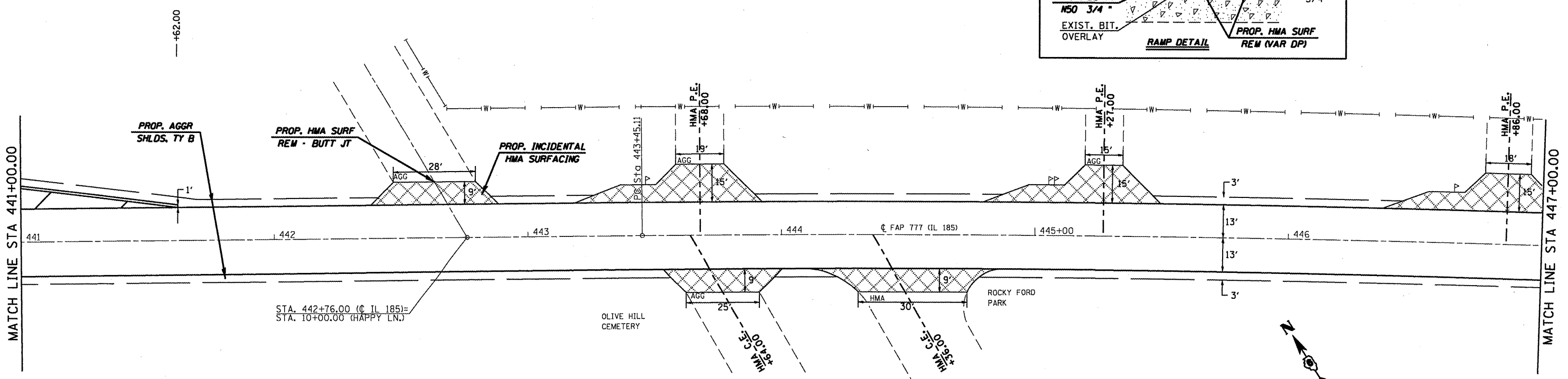
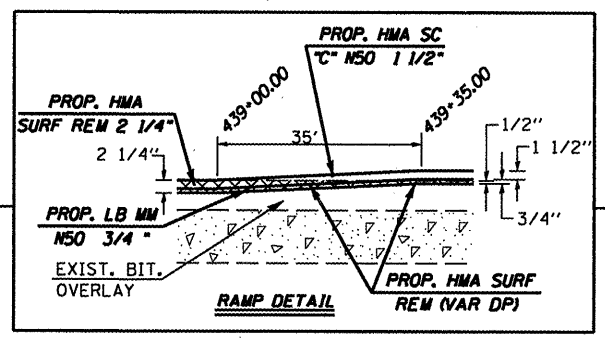
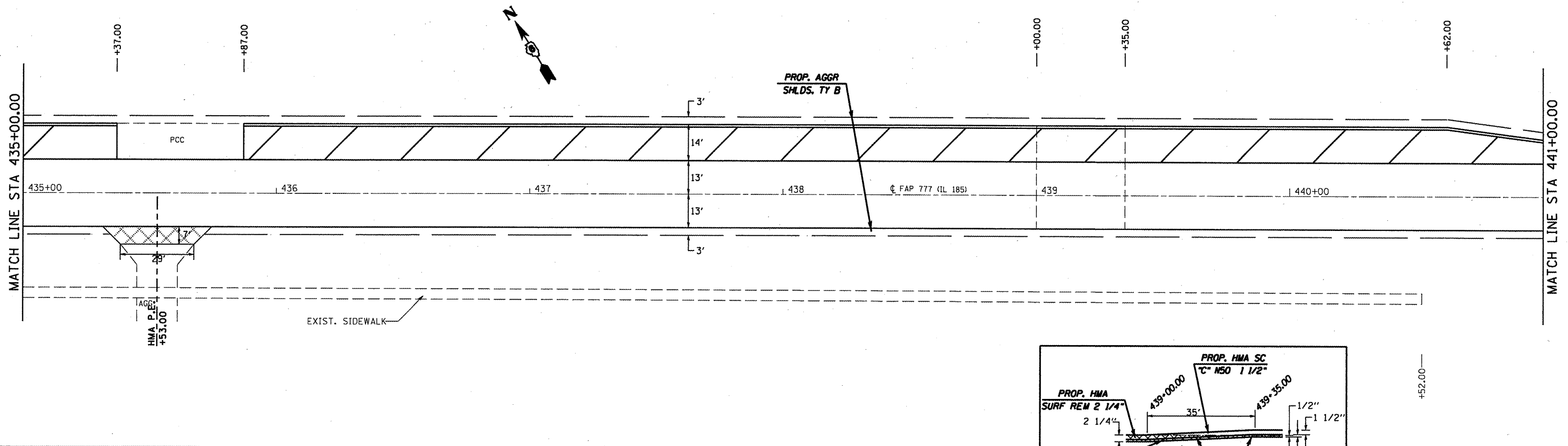


FOR PAVEMENT MARKING
DETAIL (SEE SHEET 48)



FULL S.E. (S.E.#1 - 1.90%)
STA 443+63.59 TO 453+52.99
S.E. TRANSITION:
STA 442+64.86 TO 443+63.59
STA 453+52.99 TO 454+51.72

FILE NAME =	USER NAME = coxjm	DESIGNED - JWC	REVISED -
ct:\pw_work\PWIDOT\COXJ\ms22861\0672A88-shr-plan21.dgn		DRAWN - JWC	REVISED -
PLOT SCALE = 48.0000 / IN.		CHECKED - RSC	REVISED -
PLOT DATE = Aug-13-2009 10:31:17AM		DATE - 7/10/09	REVISED -

**STATE OF ILLINOIS
DEPARTMENT OF TRANSPORTATION**

PLAN SHEETS

SCALE: 20 SHEET NO. 4 OF 27 SHEETS STA. 435+00.00 TO STA. 447+00.00

F.A.P. RTE. 777	SECTION 10RS-5	COUNTY Montgomery	TOTAL SHEETS 54	SHEET NO. 23
CONTRACT NO. 72A68				
ILLINOIS FED. AID PROJECT				