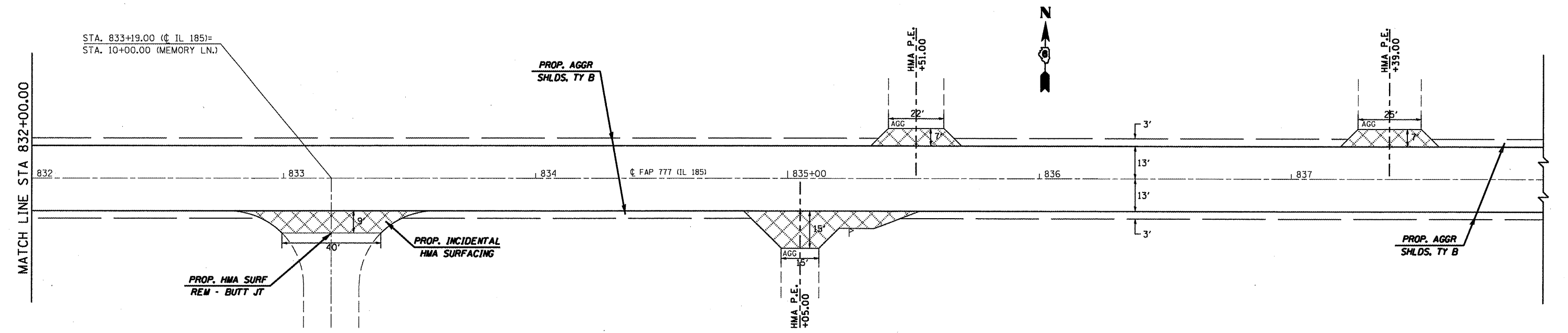
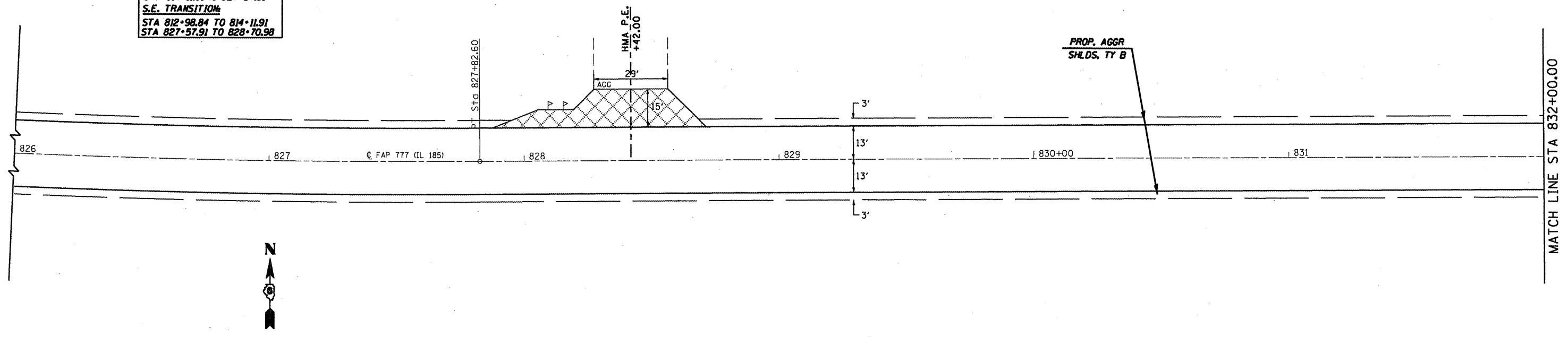


FULL S.E.: (S.E.#1) = 2.85%
 STA 814+11.91 to 827+57.91
 S.E. TRANSITION
 STA 812+98.84 TO 814+11.91
 STA 827+57.91 TO 828+70.98



FILE NAME =	USER NAME = coxjw	DESIGNED - JWC	REVISED -	STATE OF ILLINOIS DEPARTMENT OF TRANSPORTATION	PLAN SHEETS		F.A.P. RTE. =	SECTION	COUNTY	TOTAL SHEETS	SHEET NO.	
ca\pwwork\PMIDOT\COXJW\dms22661\067248	8-shr-plan21.dgn	DRAWN - JWC	REVISED -		SCALE: 20	SHEET NO. 25 OF 27 SHEETS	STA. 826+00.00 TO STA. 838+00.00	777	10RS-5	Montgomery	54	44
	PLOT SCALE = 40,0000' / IN.	CHECKED - RSC	REVISED -									
	PLOT DATE = Aug-13-2009 10:31:29AM	DATE - 7/10/09	REVISED -									
CONTRACT NO. 72A68												
ILLINOIS FED. AID PROJECT												