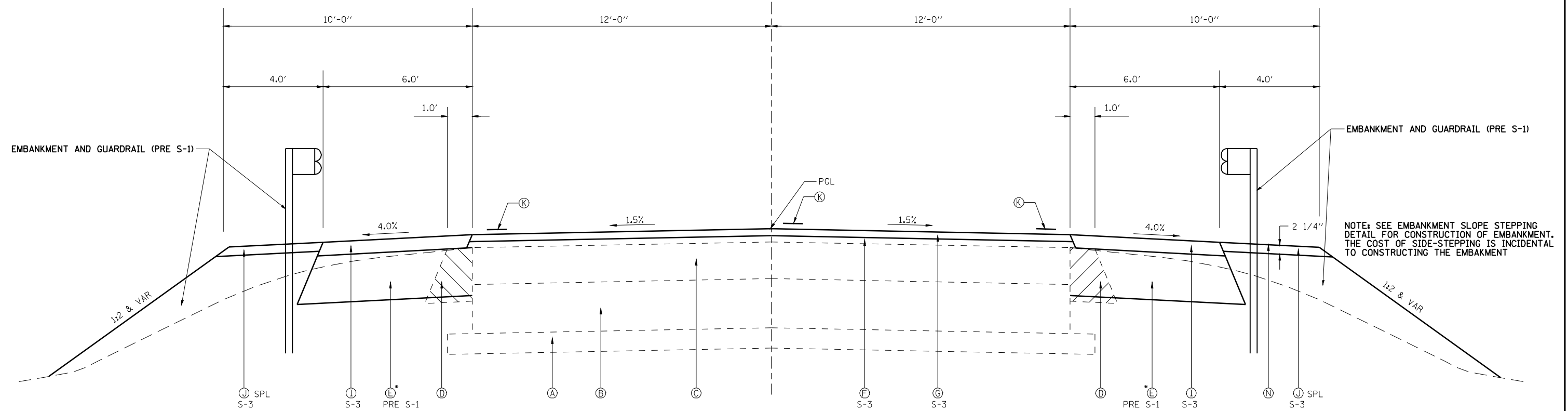


PLAN	REVIEWED	DATE
NOTE BOOK NO.	PLOTTED	
	ALIGNMENT CHECKED	
	GRADES CHECKED	
	STRUCTURE NOTATIONS CHKD	
	CADD FILE NAME	

PROFILE	REVIEWED	DATE
NOTE BOOK NO.	PLOTTED	
	GRADES CHECKED	
	STRUCTURE NOTATIONS CHKD	



NOTE: SEE EMBANKMENT SLOPE STEPPING DETAIL FOR CONSTRUCTION OF EMBANKMENT. THE COST OF SIDE-STEPPING IS INCIDENTAL TO CONSTRUCTING THE EMBANKMENT

FAP 310 - TYPICAL CROSS SECTION

- STA 322+00.00 TO STA 324+71.21 - FLEX. APPR. PAVT. (STD 420401)
- STA 324+71.21 TO STA 324+77.21 - BRIDGE APPR. PAVT. (SEE DETAILS)
- STA 324+77.21 TO STA 325+07.21 - BRIDGE REHAB. (SEE DETAILS)
- STA 325+08.53 TO STA 326+81.46 - BRIDGE APPR. PAVT. (SEE DETAILS)
- STA 326+82.79 TO STA 327+12.79 - BRIDGE APPR. PAVT. (SEE DETAILS)
- STA 327+12.79 TO STA 327+18.79 - FLEX. PAVT. CONN. (STD. 420401)
- STA 327+18.79 TO STA 330+00.00

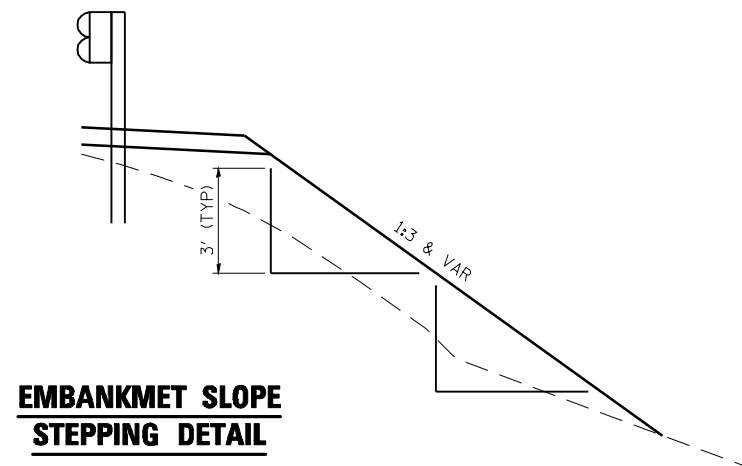
NOTES:

1. SEE "PLAN SHEETS" FOR TAPER LOCATIONS.
2. SEE "PLAN SHEETS" FOR GUARDRAIL LOCATIONS.

LEGEND

- (A) EX SUB-BASE GRANULAR MATERIAL, 4"
- (B) EX HMA PCC BASE COURSE, 8"
- (C) EX HMA SURFACE, 8" ±
- (D) EX HMA SHOULDER, 10" ±
- (E) PR HMA BASE COURSE WIDENING 10"
- (F) PR LEVELING BINDER (MACHINE METHOD), N70 (3/4" & VAR.)
- (G) PR HOT-MIX ASPHALT SURFACE COURSE MIX C, N70 (1 1/2")
- (H) PR HOT-MIX ASPHALT BASE COURSE/WIDENING, N70 (10")
- (I) PR HOT-MIX ASPHALT SHOULDER, N30 (2 1/4" & VAR.)
- (J) PR AGGREGATE SHOULDER, TYPE B (2 1/4" & VAR.)
- (K) PR PAVEMENT MARKING, LINE - 5"
- (L) PR HOT-MIX ASPHALT SURFACE REMOVAL - BUTT JOINT
- (M) PR HOT-MIX ASPHALT SHOULDERS, 8"

* PR HMA BASE CSE, WID. WILL PROBABLY HAVE TO BE CONSTRUCTED TO FULL WIDTH IN TWO STAGES. IN PRE S-1, IT SHOULD BE CONSTRUCTED TO THE FACE OF THE EXISTING GUARDRAIL, THEN IN S-1/S-2 AFTER THE GUARDRAIL IS REMOVED, IT SHOULD BE FURTHER WIDENED TO FULL WIDTH - EVEN WITH THE FACE OF THE PROPOSED GUARDRAIL.



EMBANKMENT SLOPE STEPPING DETAIL

FILE NAME =	USER NAME = laughlinr1	DESIGNED - ERO	REVISED -
c:\pwork\pwork\PWIDOT\LAUGHLINR1\0159736\0906008-shr-typical.dgn		DRAWN - RAW	REVISED -
		CHECKED - JSA	REVISED -
		DATE - 08/18/09	REVISED -

STATE OF ILLINOIS
DEPARTMENT OF TRANSPORTATION

EXISTING AND PROPOSED TYPICAL SECTIONS			
SCALE:	SHEET NO.	OF SHEETS	STA. TO STA.

F.A.P. RTE.	SECTION	COUNTY	TOTAL SHEETS	SHEET NO.
310	(87B)BR	SCHUYLER	80	10
				CONTRACT NO. 72B95
ILLINOIS FED. AID PROJECT				