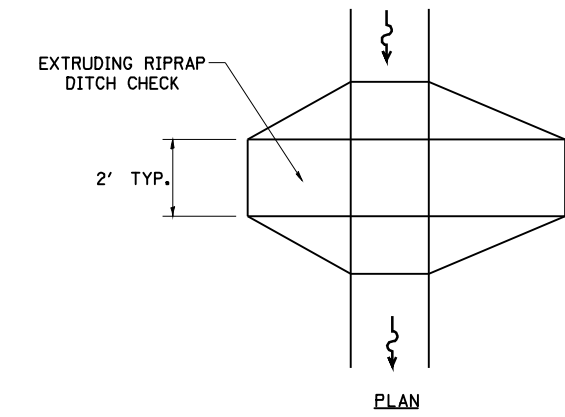
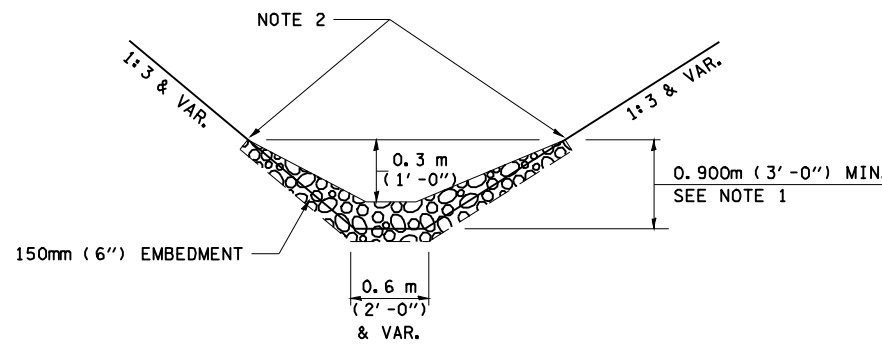


DATE	
BY	
REVIEWED	
PLOTTED	
ALIGNMENT	
CHECKED	
NO.	
PLAN	
NOTE BOOK	
NO.	
FILE NAME	

DATE	
BY	
REVIEWED	
PLOTTED	
GRADES	
CHECKED	
NO.	
PROFILE	
NOTE BOOK	
NO.	
FILE NAME	

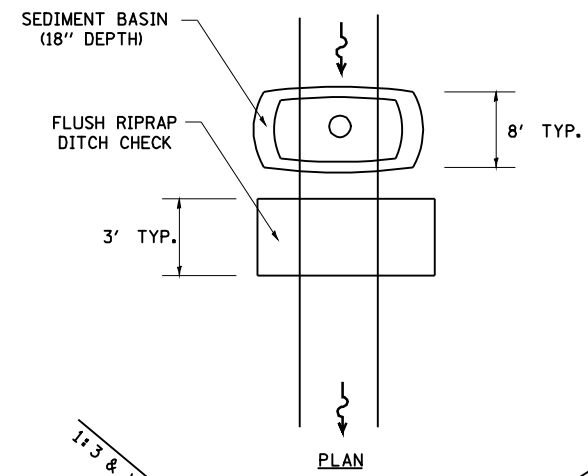


PLAN

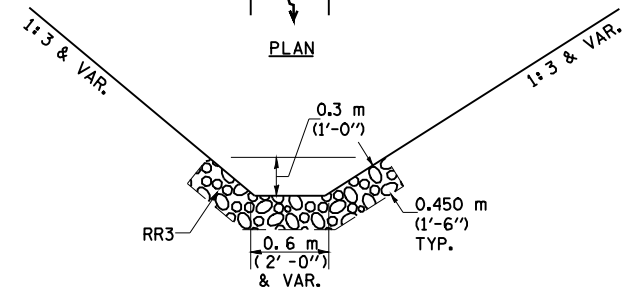


ELEVATION  
OPTION 1

(EXTRUDING DITCH CHECK)  
RECOMMENDED FOR AREAS  
W/ RIPRAP DITCH LINING



PLAN



ELEVATION  
OPTION 2

(FLUSH DITCH CHECK)  
RECOMMENDED FOR AREAS  
W/O RIPRAP DITCH LINING

**STONE DUMPED RIPRAP DITCH CHECK**  
(TYPICAL & OPTIONS 1 & 2  
AS DIRECTED BY THE ENGINEER)

- NOTE 1: RIPRAP SHALL EXTEND FAR ENOUGH UP THE SLOPES TO ALLOW 0.3m (1') OVERTOPPING TO AVOID ERODING AROUND THE EDGES OF THE RIPRAP.
- NOTE 2: ENDS SHALL BE TIED INTO SLOPES.

**LEGEND FOR STORM WATER POLLUTION PREVENTION PLAN**

ITEM	SYMBOL
AGGREGATE (EROSION CONTROL)	◆
STONE DUMPED RIPRAP DITCH CHECKS: Height = 0.6m (2')	◆
TEMPORARY DITCH CHECKS	◆
INLET PIPE PROTECTION (I&PP)	◆
EROSION CONTROL FENCE	~
EARTH EXCAVATION FOR EROSION CONTROL (SEDIMENT BASINS)	○
PRESERVE EXISTING TREES, WOODLANDS, AND UNDERSTORY (OUTSIDE CONSTRUCTION LIMITS)	▨
ITEM PLACED AT BEGINNING OF CONSTRUCTION (Requirement)	* ITEM *
ITEM PLACED AS DIRECTED BY ENGINEER (When required by situation)	ITEM
DIRECTION OF OVERLAND FLOW	➔

**GENERAL NOTES:**

All items shall be constructed as shown on this sheet, on Standard 280001, and as directed by the Engineer.

The symbology on the STORM WATER POLLUTION PREVENTION PLAN sheets does not represent the size or quantity of bales, for number of bales refer to details and notes shown on this sheet and/or as directed by the Engineer.

**THE CONTRACTOR SHALL INSTALL DITCH CHECKS AS DIRECTED BY THE ENGINEER. IF THE ENGINEER ELECTS TO UTILIZE FLUSH RIPRAP DITCH CHECKS IN LIEU OF TEMPORARY DITCH CHECKS AS SHOWN ON THE FOLLOWING PLAN SHEETS, THE SPACING SHOULD BE DOUBLED.**

FILE NAME = SWPPLAN.DGN	USER NAME = laughlinr1	DESIGNED - ERO	REVISED - AUG 2007 (JCN)	<b>STATE OF ILLINOIS DEPARTMENT OF TRANSPORTATION</b>	<b>STORM WATER POLLUTION PREVENTION PLAN</b>			F.A.P. RTE. 310	SECTION (87B)BR	COUNTY SCHUYLER	TOTAL SHEETS 80	SHEET NO. 36
		DRAWN - RAND	REVISED -		SCALE:	SHEET NO.	OF SHEETS	STA.	TO STA.	CONTRACT NO. 72B95		
		CHECKED - JGM	REVISED -		ILLINOIS FED. AID PROJECT							
		DATE - 08/16/99	REVISED -									