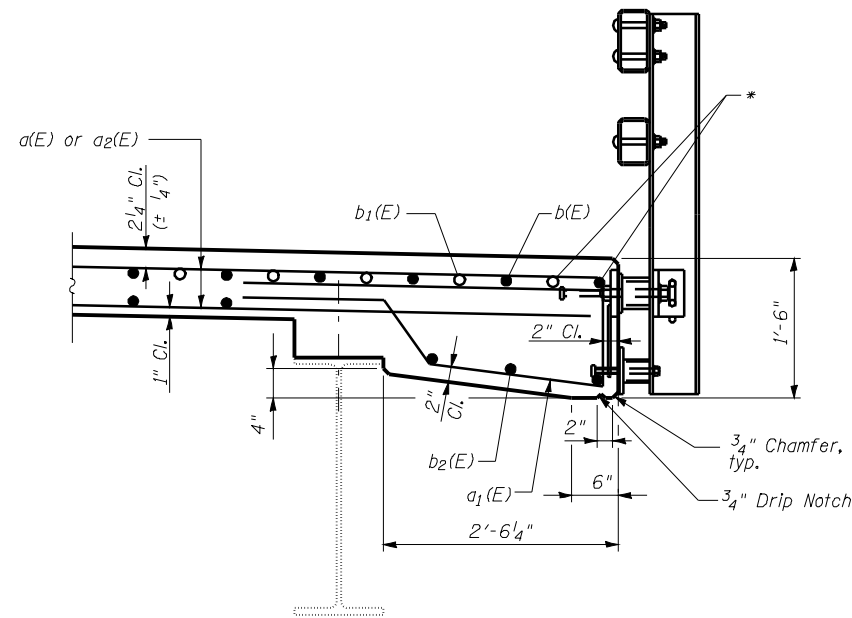
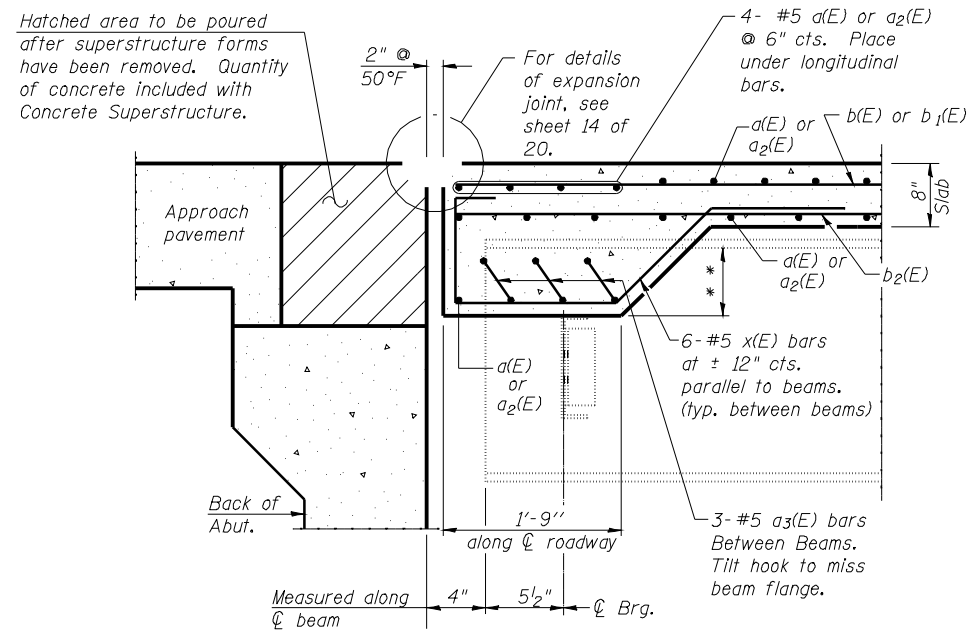


STATE OF ILLINOIS  
DEPARTMENT OF TRANSPORTATION



**SECTION THRU EDGE OF SLAB**

\* Note: Reinforcement bars in the top of the deck may be placed with a 1/2" minimum clearance in the area of the rail post anchor devices. The studs of the anchor devices shall be positioned below the top reinforcement bars and the outermost longitudinal reinforcement bars (b(E) and b1(E) Bars) shall be placed directly above the studs of the rail post anchor device.



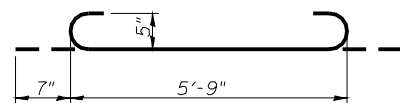
**SECTION A-A**

**SUPERSTRUCTURE  
BILL OF MATERIAL**

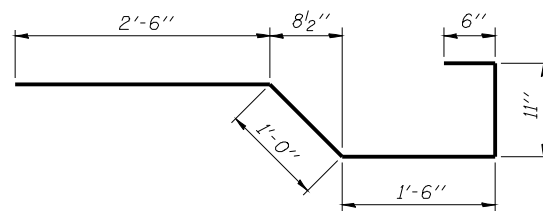
Bar	No.	Size	Length	Shape
a(E)	443	#5	16'-4"	—
a1(E)	450	#6	10'-4"	—
a2(E)	443	#5	19'-4"	—
a3(E)	30	#5	6'-11"	—
b(E)	185	#5	36'-2"	—
b1(E)	72	#6	33'-0"	—
b2(E)	186	#5	30'-6"	—
x(E)	60	#5	6'-5"	—
Reinforcement Bars, Epoxy Coated			Pound	40546
Concrete Superstructure			Cu. Yds.	204

\*\* 2 1/8" Beam 1 & Beam 6  
3 3/8" Beam 2 & Beam 5  
4" Beam 3 & Beam 4

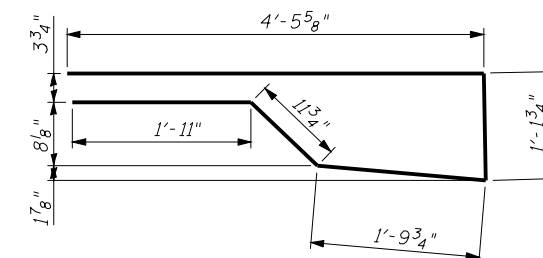
Bars indicated thus 31 x 6 -#5 etc. indicates 31 lines of bars with 6 lengths per line.



**a3(E) BAR**



**BAR x(E)**



**BAR a1(E)**

DESIGNED	CMW
CHECKED	JSA
DRAWN	TJW
CHECKED	CMW

**HOELSCHER ENGINEERING**

11 Executive Drive Suite 12  
Fairview Heights, Illinois 62208  
(618) 624-8610  
(618) 624-8611 (fax)

2501 Chatham Road, Suite 120  
Springfield, Illinois 62704  
(217) 698-8610  
(217) 698-8608 (fax)

115 North Neil Street, Suite 105  
Champaign, Illinois 61820  
(217) 351-8610  
(217) 351-8611 (fax)

**SUPERSTRUCTURE DETAILS  
STRUCTURE NO. 085-0001**

SHEET NO. 10 20 SHEETS	F.A. RTE. 310 (US 67)	SECTION (87B) BR	COUNTY SCHUYLER	TOTAL SHEETS 80	SHEET NO. 51
	CONTRACT NO. 72B95			ILLINOIS FED. AID PROJECT	