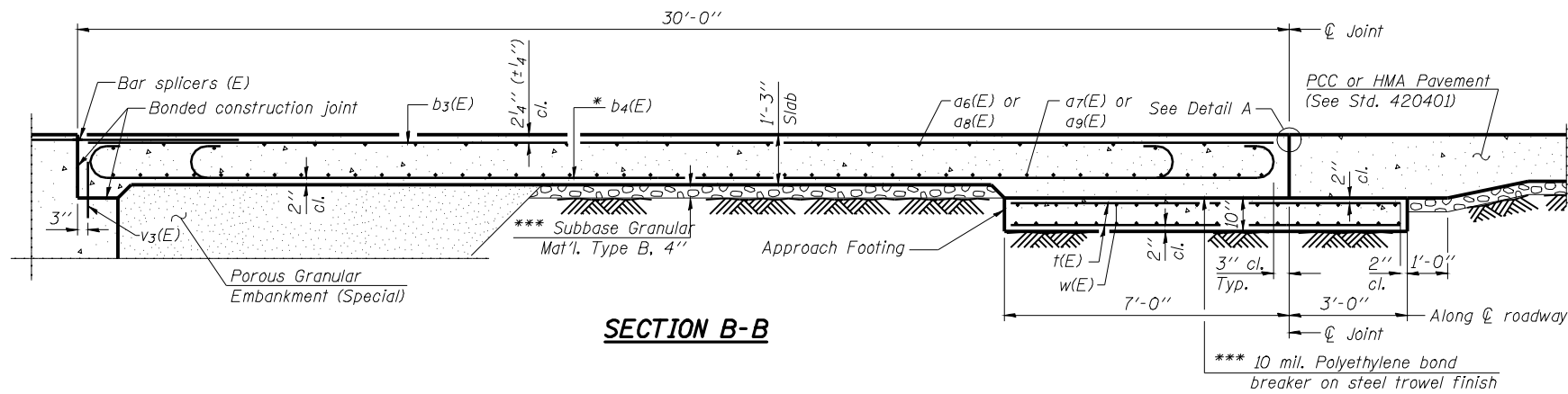
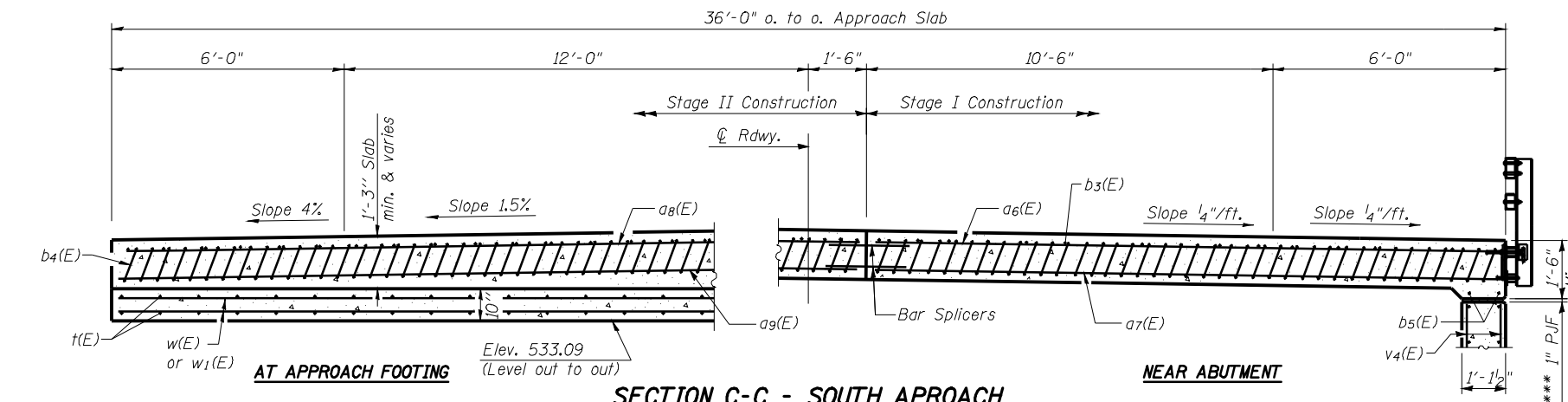


STATE OF ILLINOIS  
DEPARTMENT OF TRANSPORTATION

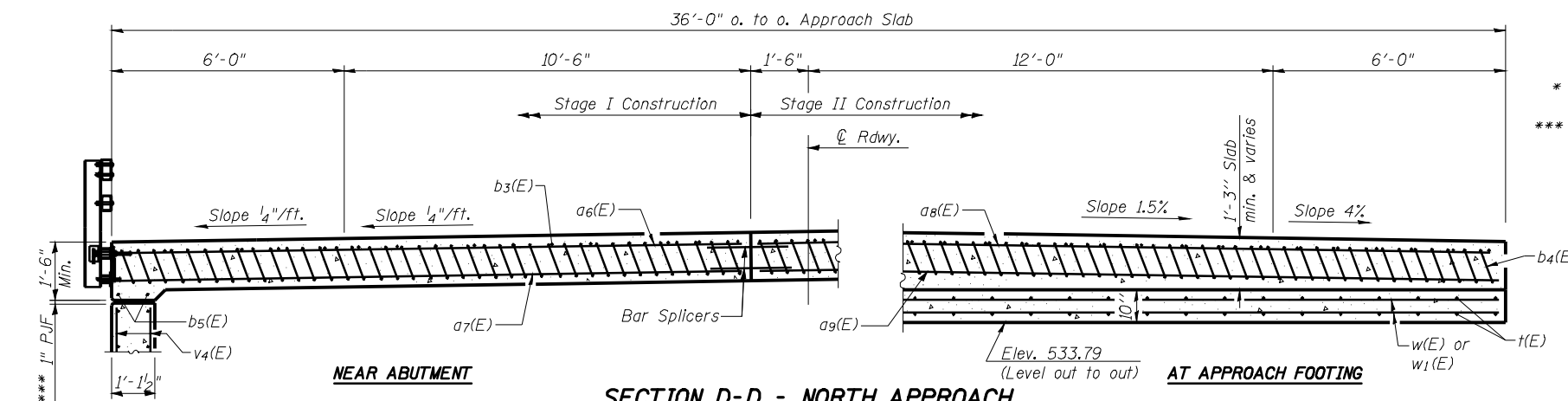


**SECTION B-B**



**SECTION C-C - SOUTH APPROACH**

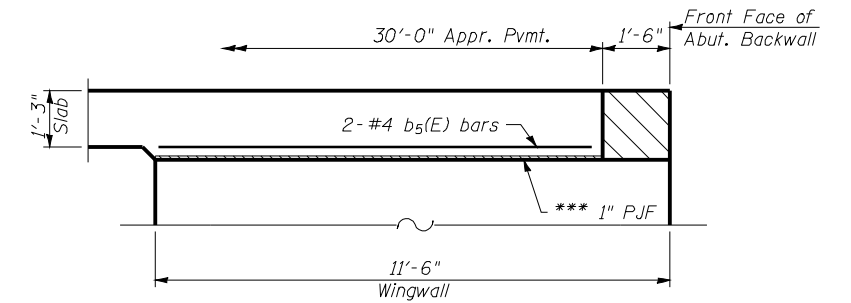
(Looking South - See Plan for dimensions not shown)



**SECTION D-D - NORTH APPROACH**

(Looking North - See Plan for dimensions not shown)

Notes:  
See sheet 11 of 20 for Detail A.  
Approach slab concrete shall be paid for as Concrete Superstructure.  
Approach footing concrete shall be paid for as Concrete Structures.  
Reinforcement shall be paid for as Reinforcement Bars, Epoxy Coated.  
For v3(E) and v4(E) bar details, see sheet 18 and sheet 19 of 20.  
The approach footing maximum applied service bearing pressure (Qmax) = 2.0 ksf.  
For bar splicer details, see sheet 20 of 20.  
Cost of excavation for approach footing included with Concrete Structures.  
For Porous Granular Embankment (Special) and drainage treatment details, see sheet 2 of 20.

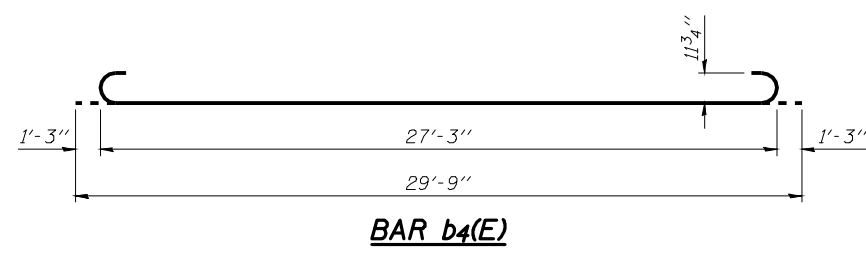


**VIEW E-E**

**TWO APPROACHES  
BILL OF MATERIAL**

Bar	No.	Size	Length	Shape
a6(E)	50	#4	16'-4"	—
a7(E)	92	#5	16'-4"	—
a8(E)	50	#4	19'-4"	—
a9(E)	92	#5	19'-4"	—
b3(E)	60	#4	29'-8"	⌋
b4(E)	172	#9	29'-9"	—
b5(E)	8	#4	9'-8"	—
t(E)	148	#4	9'-8"	—
w(E)	84	#5	16'-4"	—
w1(E)	84	#5	19'-4"	—
Concrete Superstructure			Cu. Yd.	101.0
Concrete Structures			Cu. Yd.	11.1
Reinforcement Bars, Epoxy Coated			Pound	27330

\* Tilt #9 b4(E) bars as required to maintain clearance.  
\*\*\* Cost included with Concrete Superstructure.



**BAR b4(E)**

**BRIDGE APPROACH SLAB DETAILS  
STRUCTURE NO. 085-0001**

DESIGNED	CMW
CHECKED	JSA
DRAWN	TJW
CHECKED	CMW

**HOELSCHER ENGINEERING**

11 Executive Drive Suite 12  
Fairview Heights, Illinois 62208  
(618) 624-8610  
(618) 624-8611 (fax)

2501 Chatham Road, Suite 120  
Springfield, Illinois 62704  
(217) 698-8610  
(217) 698-8608 (fax)

115 North Neil Street, Suite 105  
Champaign, Illinois 61820  
(217) 351-8610  
(217) 351-8611 (fax)

BA-0 Modified 10-31-08

SHEET NO. 12 20 SHEETS	F.A. RTE. 310 (US 67)	SECTION (87B) BR	COUNTY SCHUYLER	TOTAL SHEETS 80	SHEET NO. 53
	CONTRACT NO. 72B95				
FED. ROAD DIST. NO.		ILLINOIS FED. AID PROJECT			