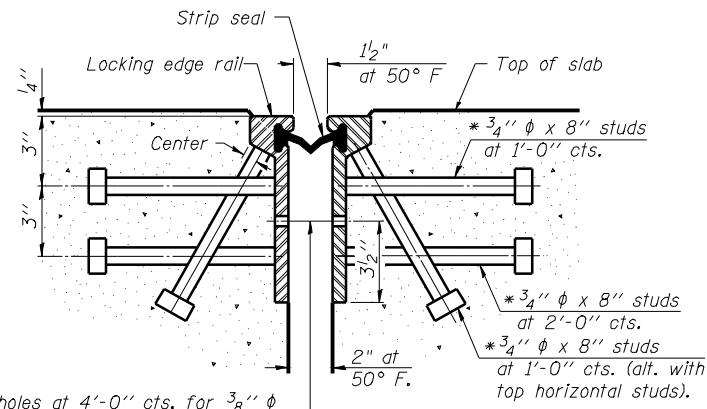


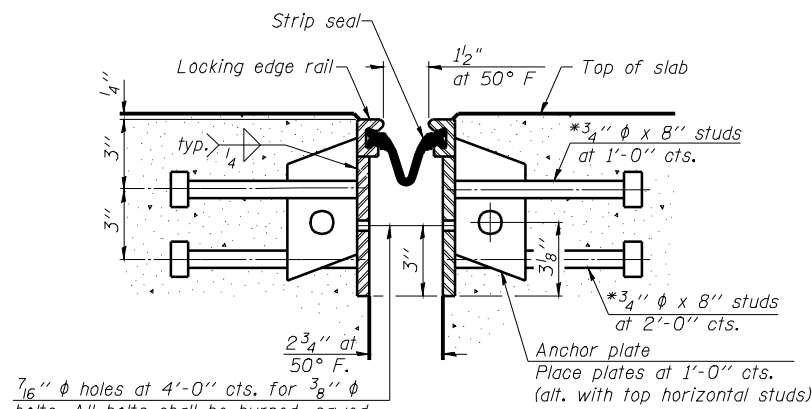
STATE OF ILLINOIS
DEPARTMENT OF TRANSPORTATION

* Granular or solid flux filled headed studs conforming to Article 1006.32 of the Std. Specs., automatically end welded.



7/16" φ holes at 4'-0" cts. for 3/8" φ bolts. All bolts shall be burned, sawed, or chipped off flush with the plates after forms are removed, typ.

**SECTION THRU
ROLLED RAIL JOINT**



7/16" φ holes at 4'-0" cts. for 3/8" φ bolts. All bolts shall be burned, sawed, or chipped off flush with the plates after forms are removed, typ.

**SECTION THRU
WELDED RAIL JOINT**

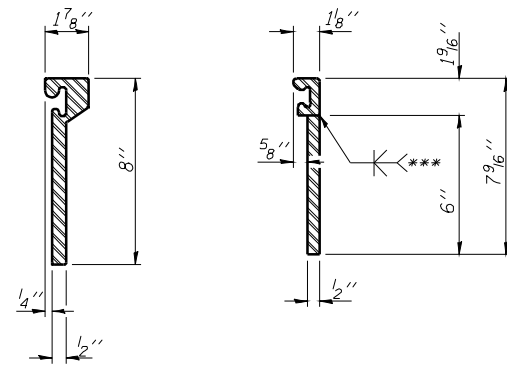
Notes:

The strip seal shall be made continuous and shall have a minimum thickness of 1/4". The configuration of the strip seal shall match the configuration of the Locking Edge Rails. Open or "webbed" strip seal gland configurations are not permitted. The gland shall be sized for a maximum rated movement of 4 inches.

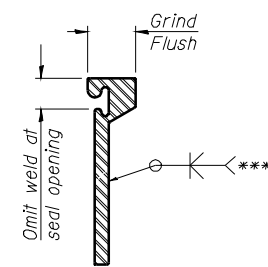
The height and thickness of the Locking Edge Rails shown are minimum dimensions. The actual configuration of the Locking Edge Rails and matching strip seal may vary from manufacturer to manufacturer. Flanged edge rails will not be allowed. Locking Edge Rails may be spliced at slope discontinuities and stage construction joints.

The manufacturer's recommended installation methods shall be followed. The joint opening and deck dimensions detailed on the superstructure are based on a rolled rail expansion joint. If the Contractor elects to use the welded rail expansion joint, the opening and deck dimensions shall be modified according to the dimensions detailed on this sheet. Required modifications shall be made at no additional cost to the State.

All steel components shall be galvanized after fabrication according to Article 520.03 of the Standard Specifications.



**ROLLED
EXTRUDED RAIL** **WELDED RAIL**

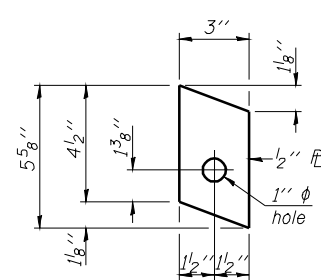


***Back gouge not required if complete joint penetration is verified by mock-up.

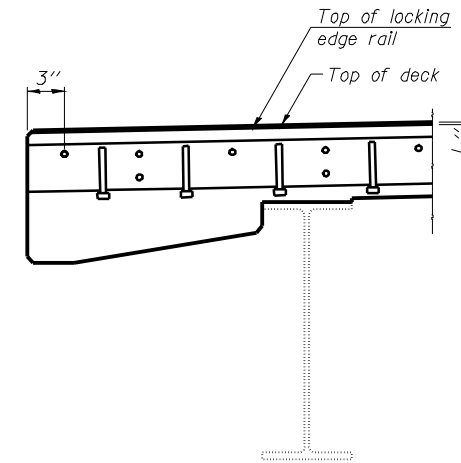
**LOCKING EDGE
RAIL SPLICE**

The inside of the locking edge rail groove shall be free of weld residue.

LOCKING EDGE RAILS



ANCHOR PLATE
(for welded rail)



END TREATMENT AT EDGE OF SLAB

BILL OF MATERIAL

Item	Unit	Total
Preformed Joint Strip Seal	Foot	72.0

DESIGNED	CMW
CHECKED	JSA
DRAWN	TJW
CHECKED	CMW

EJ-SSJ

HOELSCHER ENGINEERING

11 Executive Drive Suite 12
Fairview Heights, Illinois 62208
(618) 624-8610
(618) 624-8611 (fax)

2501 Chatham Road, Suite 120
Springfield, Illinois 62704
(217) 698-8610
(217) 698-8608 (fax)

115 North Neil Street, Suite 105
Champaign, Illinois 61820
(217) 351-8610
(217) 351-8611 (fax)

10-1-08

**PREFORMED JOINT STRIP SEAL
STRUCTURE NO. 085-001**

SHEET NO. 14	F.A. RTE. 310 (US 67)	SECTION (87B) BR	COUNTY SCHUYLER	TOTAL SHEETS 80	SHEET NO. 55
20 SHEETS	CONTRACT NO. 72B95				
FED. ROAD DIST. NO.		ILLINOIS FED. AID PROJECT			