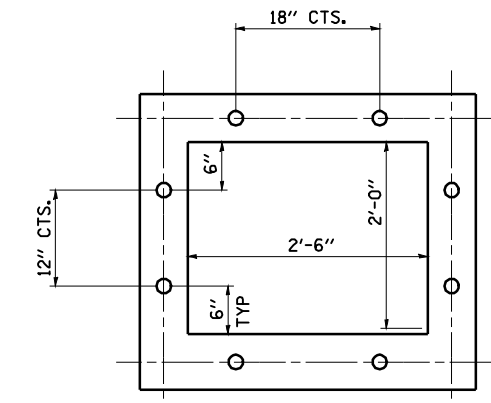
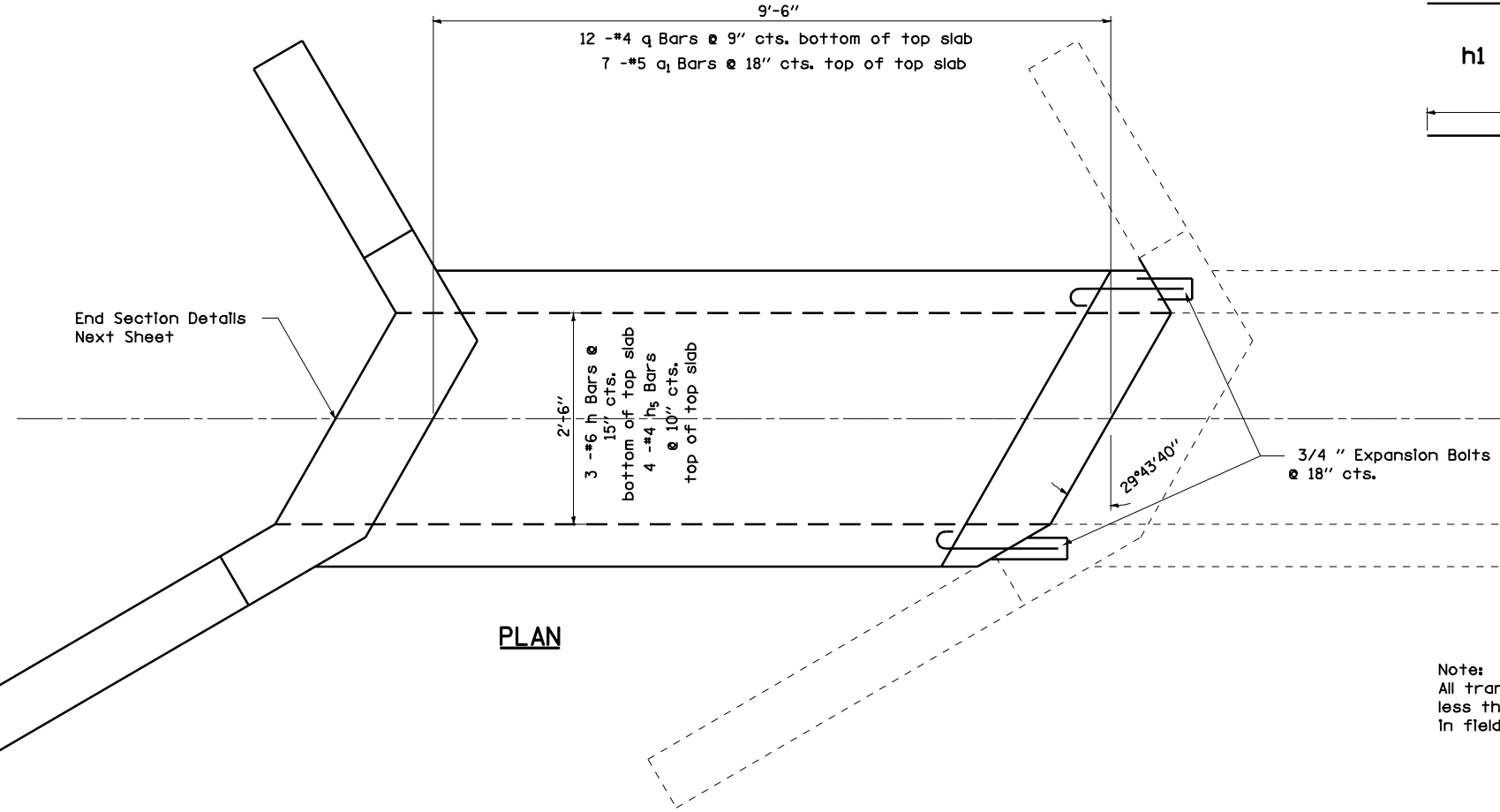
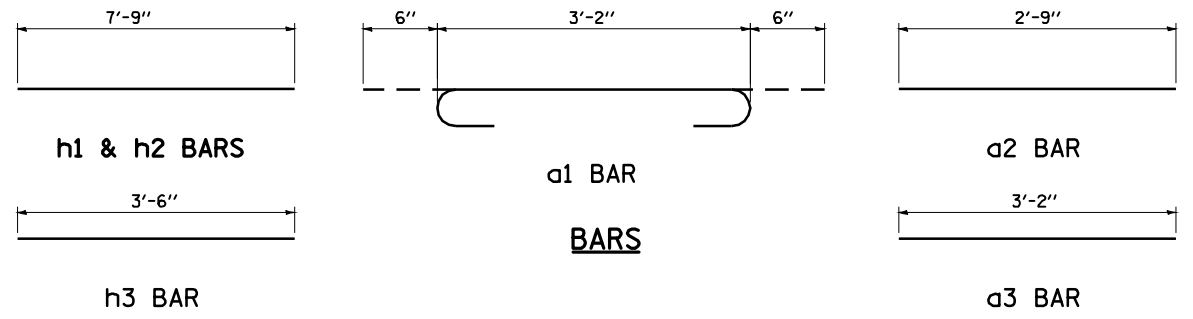
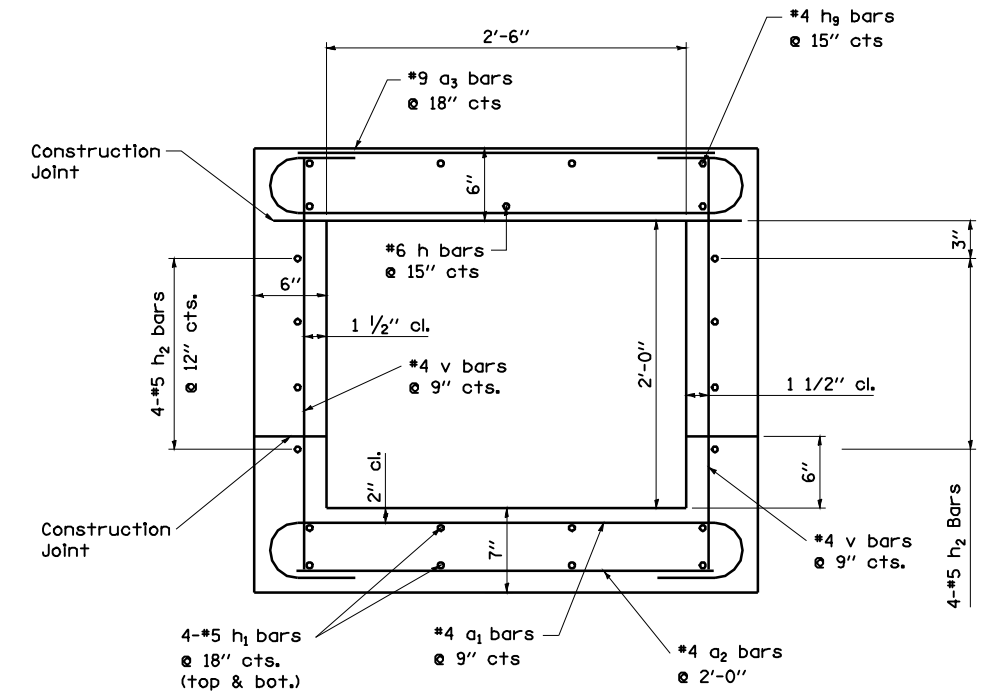
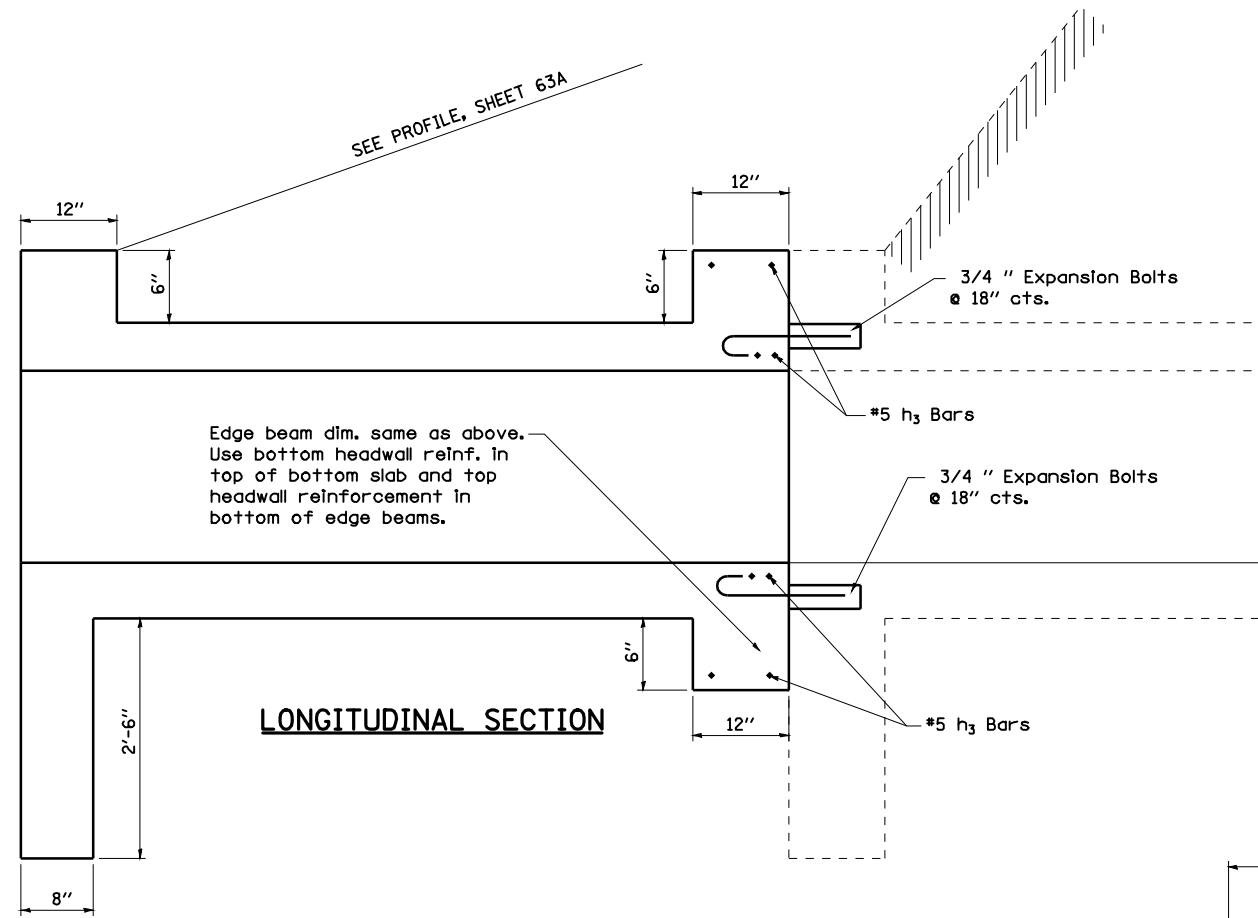


DATE	
BY	
REVIEWED	
PLANNED	
NOTED	
NO.	

DATE	
BY	
REVIEWED	
PLANNED	
NOTED	
NO.	



Note:
All transverse bars in diagonal areas less than full width shall be trimmed in field to fit (1/2 inch min. cl.).

FILE NAME =	USER NAME = laughlinr1	DESIGNED - ERO	REVISED -	STATE OF ILLINOIS DEPARTMENT OF TRANSPORTATION	CULVERT EXTENSION DETAILS STA. 337 + 27.47				F.A.P. RTE. 310	SECTION (87B)BR	COUNTY SCHUYLER	TOTAL SHEETS 80	SHEET NO. 62
c:\pwwork\pwwid001\LAUGHLINRL\d0159736\d99026008-shr-culvert-details.dgn		DRAWN - RAW	REVISED -		SCALE:	SHEET NO.	OF SHEETS	STA.	TO STA.	CONTRACT NO. 72B95			
PLOT SCALE = 2.0000' / IN.		CHECKED - JSA	REVISED -		ILLINOIS FED. AID PROJECT								
PLOT DATE = Sep-01-2009 06:58:24AM		DATE - 08/18/09	REVISED -										