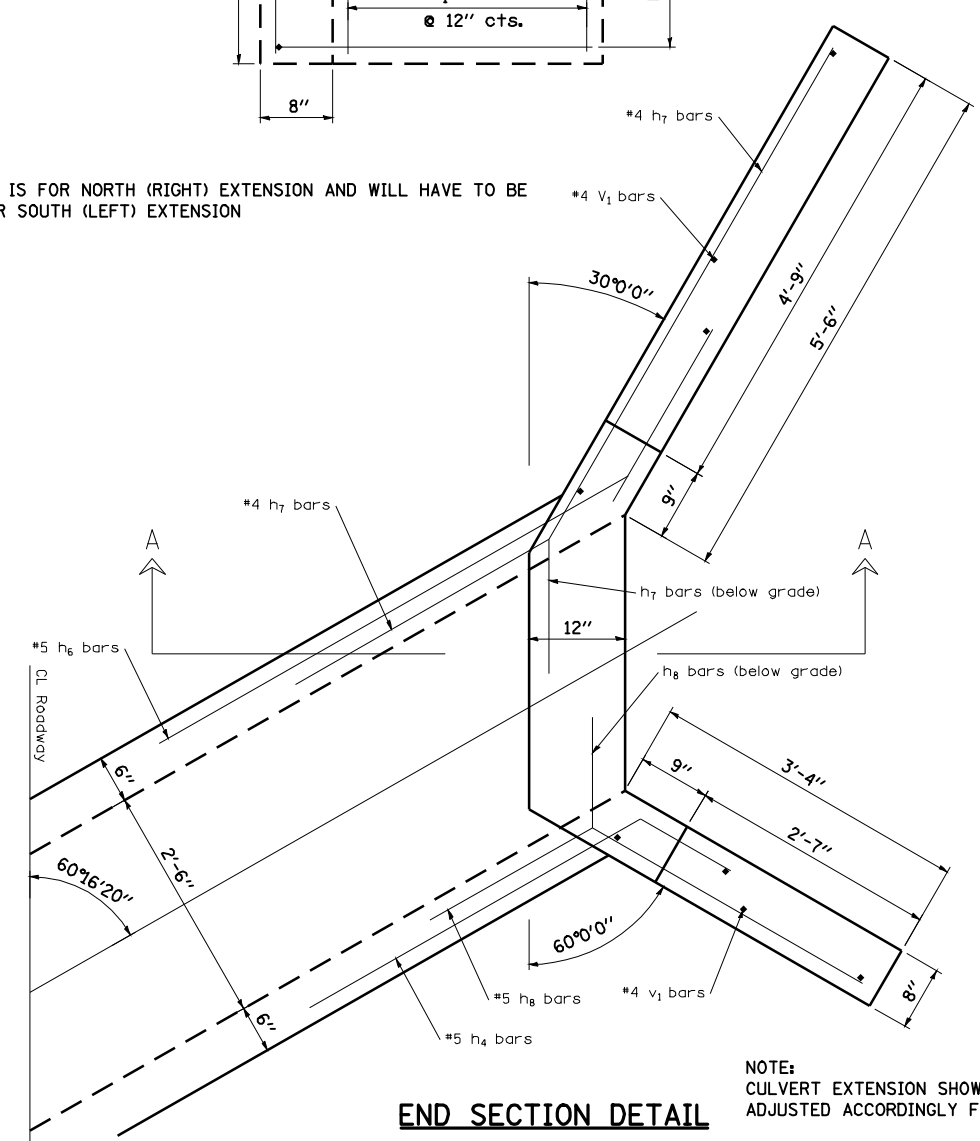
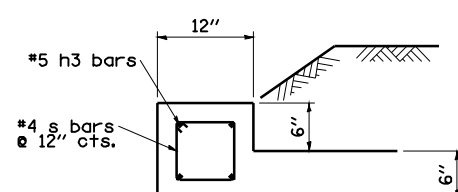
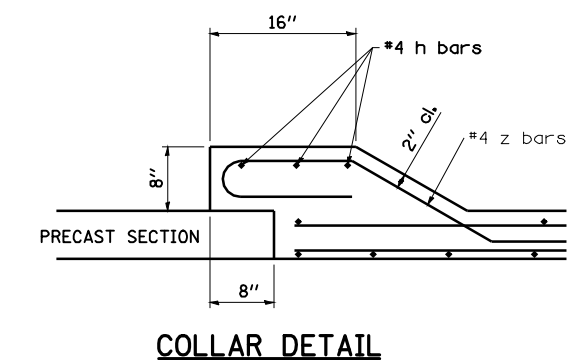
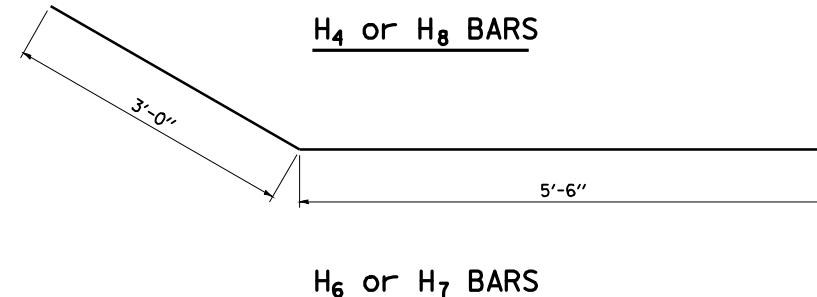
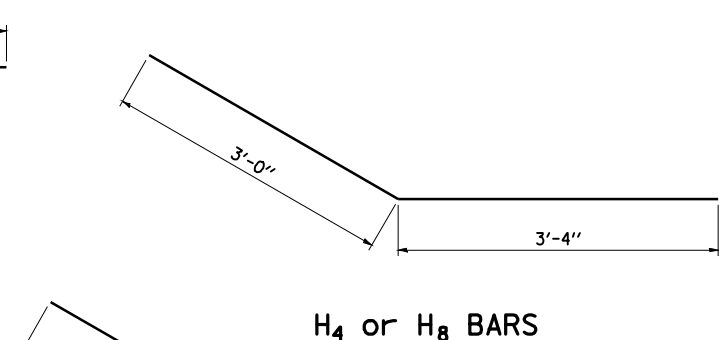
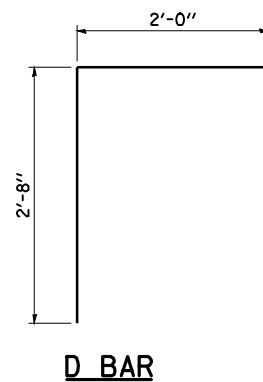
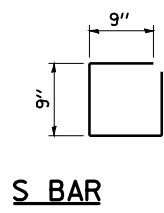
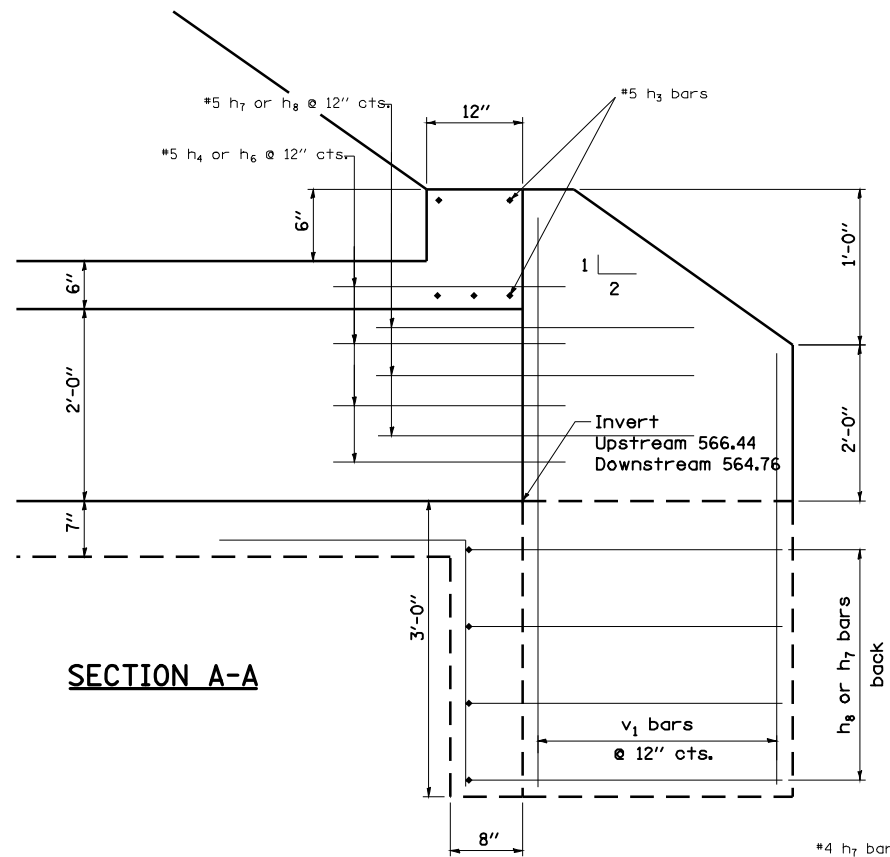


DATE	
BY	
REVIEWED	
PLANNED	
NOTED	
NO.	

DATE	
BY	
REVIEWED	
PLANNED	
NOTED	
NO.	



NOTE:
CULVERT EXTENSION SHOWN IS FOR NORTH (RIGHT) EXTENSION AND WILL HAVE TO BE ADJUSTED ACCORDINGLY FOR SOUTH (LEFT) EXTENSION

- Notes:
1. No Precast Box Culverts will be allowed.
 2. Contractor shall verify all existing and proposed dimensions prior to ordering material or beginning construction.
 3. All Reinforcement Bars shall have minimum 1 1/2 " edge clearance.

NOTE:
CULVERT EXTENSION SHOWN IS FOR SOUTH (LEFT) EXTENSION AND WILL HAVE TO BE ADJUSTED ACCORDINGLY FOR NORTH (RIGHT) EXTENSION

BILL OF MATERIALS

BAR	NO.	SIZE	LENGTH	SHAPE
a ₁	48	#4	4'-2"	
a ₂	10	#4	2'-9"	
a ₃	14	#5	3'-2"	
d	8	#5	4'-8"	
h	6	#6	7'-9"	
h ₁	16	#5	7'-9"	
h ₂	16	#5	7'-9"	
h ₃	26	#5	3'-9"	
h ₄	12	#5	6'-4"	
h ₆	12	#5	8'-6"	
h ₇	8	#5	8'-6"	
h ₈	8	#5	6'-4"	
h ₉	8	#4	7'-9"	
S	8	#4	2'-9"	
v	48	#4	2'-9"	
v*	16	#4	5'-9"	
			UNIT	QUANTITY
			Concrete Box Culverts	Cu. Yd. 7.0
			Reinforcement Bars, Epoxy Ctd.	Pound 1284
			Anchor Bolts, 3/4"	Each 16

* Field Trim Where Necessary

FILE NAME =	USER NAME = laughlinr1	DESIGNED - ERO	REVISED -
c:\pwork\pwork\LAUGHLIN\rd0159736\090808-sht-culvert-details.dgn		DRAWN - RAW	REVISED -
PLOT SCALE = 2.0000' / IN.		CHECKED - JSA	REVISED -
PLOT DATE = Sep-03-2009 11:38:39AM		DATE - 08/18/09	REVISED -

**STATE OF ILLINOIS
DEPARTMENT OF TRANSPORTATION**

**CULVERT EXTENSION DETAILS
STA. 337 + 27.47**

SCALE:	SHEET NO.	OF SHEETS	STA.	TO STA.
--------	-----------	-----------	------	---------

F.A.P. RTE.	SECTION	COUNTY	TOTAL SHEETS	SHEET NO.
310	(87B)BR	SCHUYLER	80	63
CONTRACT NO. 72B95				
ILLINOIS FED. AID PROJECT				