

STATE OF ILLINOIS
DEPARTMENT OF TRANSPORTATION
DIVISION OF HIGHWAYS

**PROPOSED
HIGHWAY PLANS**

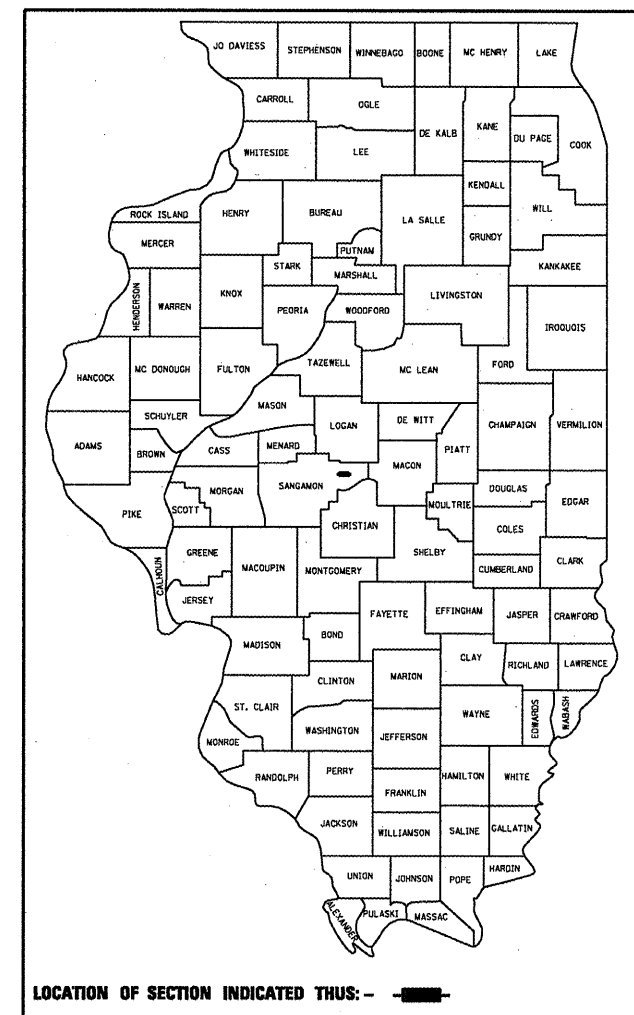
FAU ROUTE 7978 (OLD US 36)
SECTION (17, 18, 19) MICROSURFACING

MICROSURFACING
SANGAMON COUNTY

F.A.U. RTE.	SECTION	COUNTY	TOTAL SHEETS	SHEET NO.
7978		SANGAMON	5	1
		ILLINOIS	CONTRACT NO. 72D04	

• (17, 18, 19) MICROSURFACING

D96-100-09



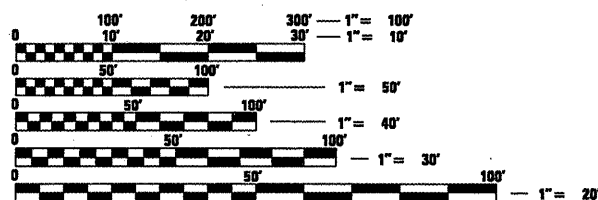
LOCATION OF SECTION INDICATED THUS: —

INDEX OF SHEETS

- 1 COVER SHEET
- 2 SUMMARY OF QUANTITIES
- 3 SCHEDULE OF QUANTITIES
- 4 TYPICAL CROSS SECTION
- 5 DETAILS

LIST OF STANDARDS

- 000001-05
- 442201-03
- 701001-02
- 701006-03
- 701011-02
- 701201-03
- 701301-03
- 701306-02
- 701311-03
- 701901-01
- 780001-02
- 781001-03



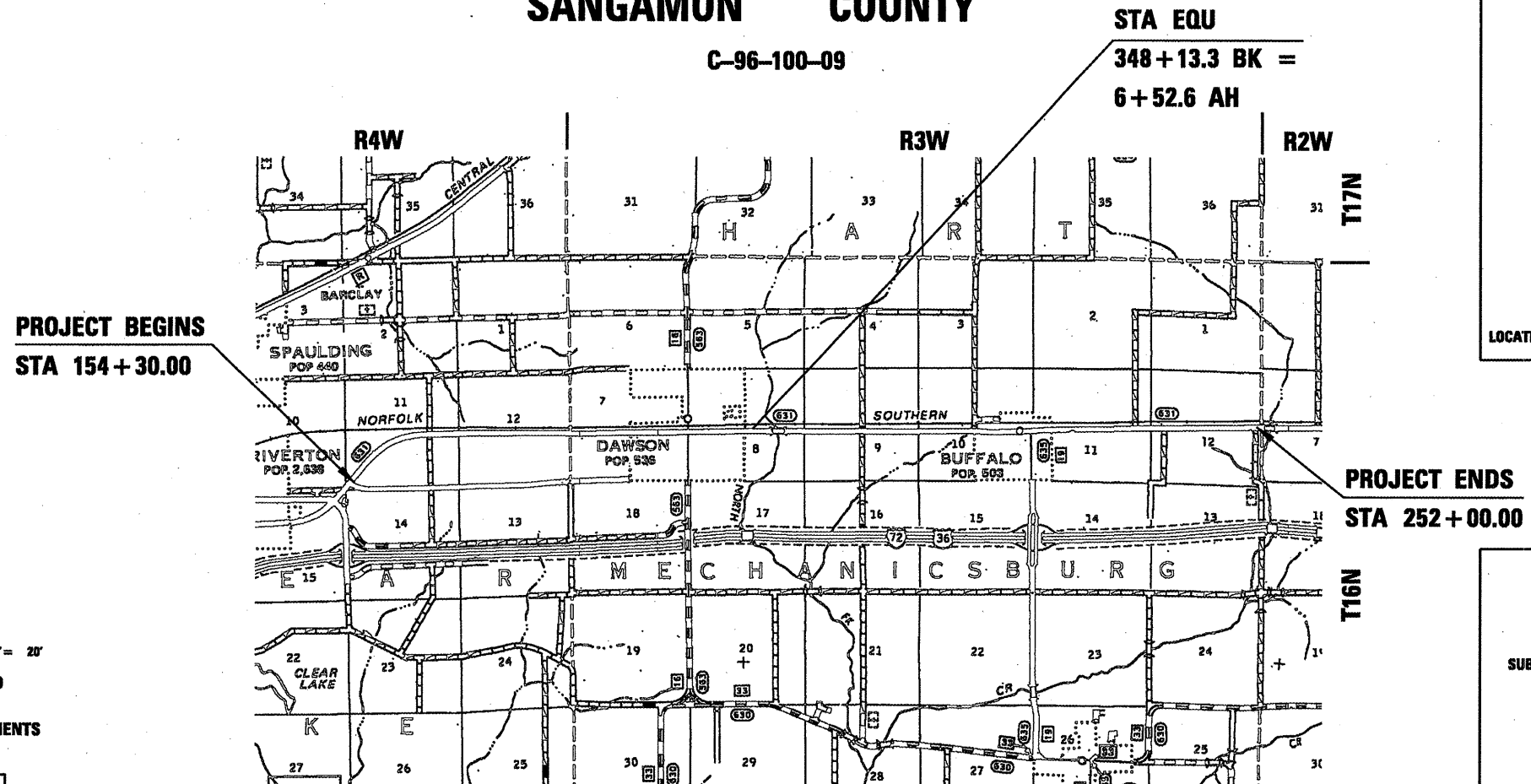
FULL SIZE PLANS HAVE BEEN PREPARED USING STANDARD ENGINEERING SCALES. REDUCED SIZED PLANS WILL NOT CONFORM TO STANDARD SCALES. IN MAKING MEASUREMENTS ON REDUCED PLANS, THE ABOVE SCALES MAY BE USED.

J.U.L.I.E.
JOINT UTILITY LOCATION INFORMATION FOR EXCAVATION
1-800-892-0123
OR 811

PROJECT ENGINEER JOHN NEGANGARD (217)782-6990
PROJECT MANAGER VINCE MADONIA (217)785-9046

CONTRACT NO. 72D04

NET LENGTH = 8.32 MILES



STATE OF ILLINOIS
DEPARTMENT OF TRANSPORTATION
DIVISION OF HIGHWAYS

SUBMITTED August 13, 2009
Reggie Z. Dukes
DEPUTY DIRECTOR OF HIGHWAYS, REGION ENGINEER

October 2, 2009
Charles J. Ingersoll
ENGINEER OF DESIGN AND ENVIRONMENT

October 2, 2009
Christine M. Reed
DIRECTOR OF HIGHWAYS, CHIEF ENGINEER

**PRINTED BY THE AUTHORITY
OF THE STATE OF ILLINOIS**

SUMMARY OF QUANTITIES

OLD US 36
100% STATE
CONST. CODE F000

CODE NO.	ITEM	UNIT	TOTAL	CONST. CODE F000
X0324951	CAPE SEAL	SQ YD	126909.0	126909.0
X0326217	TEMPORARY RAISED PAVEMENT MARKER	EACH	2197.0	2197.0
Z0048665	RAILROAD PROTECTIVE LIABILITY INSURANCE	L SUM	1.0	1.0
44200168	PAVEMENT PATCHING, TYPE II, 14 INCH	SQ YD	120.0	120.0
67100100	MOBILIZATION	L SUM	1.0	1.0
70100450	TRAFFIC CONTROL AND PROTECTION, STANDARD 701201	L SUM	1.0	1.0
70100460	TRAFFIC CONTROL AND PROTECTION, STANDARD 701306	L SUM	1.0	1.0
70300100	SHORT-TERM PAVEMENT MARKING	FOOT	4393.0	4393.0
70301000	WORK ZONE PAVEMENT MARKING REMOVAL	SQ FT	1464.0	1464.0
*78001100	PAINT PAVEMENT MARKING - LETTERS AND SYMBOLS	SQ FT	122.4	122.4
*78001120	PAINT PAVEMENT MARKING - LINE 5"	FOOT	109825.0	109825.0
*78001180	PAINT PAVEMENT MARKING - LINE 24"	FOOT	66.0	66.0
*78100100	RAISED REFLECTIVE PAVEMENT MARKER	EACH	549.0	549.0
78300200	RAISED REFLECTIVE PAVEMENT MARKER REMOVAL	EACH	549.0	549.0

*Specialty

Rev.

FILE NAME =	USER NAME = madon1avj	DESIGNED -	REVISED -	STATE OF ILLINOIS DEPARTMENT OF TRANSPORTATION	SUMMARY OF QUANTITIES			F.A.J. RTE.	SECTION	COUNTY	TOTAL SHEETS	SHEET NO.		
e:\pwwork\FWIDOT\MADONIAVJ\d0147295\d	72004-shr-soq.dgn	DRAWN -	REVISED -		SCALE:	SHEET NO.	OF	SHEETS	STA.	TO STA.	7978 (17, 18, 19)MICROSURFACING	SANGAMON	5	2
	PLOT SCALE = 1/8" = 100.0000' / IN.	CHECKED -	REVISED -		CONTRACT NO. T2D04									
	PLOT DATE = Aug-14-2009 08:43:36AM	DATE -	REVISED -		ILLINOIS FED. AID PROJECT									

Station Equation 348+13 Bk = 6+53 Ah

Station Range			Width	Length	Area	CAPE Seal	Short Term Pavement Marking	Work Zone Pavement Marking Removal	Temporary Raised Reflective Markers	Raised Reflective Markers Removal	Raised Reflective Markers Installation
			(FT)	(FT)	(SY)	(SY)	(FT)	(SQ FT)	(EACH)	(EACH)	(EACH)
154+30	TO	348+13	26	19,383	55,995	55,995	1938	646	969	242	242
6+53	TO	252+00	26	24,547	70,914	70,914	2455	818	1227	307	307
Totals				43,930	126,909	126,909	4,393	1,464	2,197	549	549

Paint Pavement Marking Line, 5"

Location	Length (FT)	Edge Line (FT)	Skip/No Passing (FT)
No Passing Zones	43,930	87,860	21,965
Total		109,825	

	Location	Quantity
<u>Paint Pavement Marking Line - 24</u>	RR X-ing	66 (FT)
<u>Paint Pavement Marking - Letters & Symbols</u>	RR X-ing	122.4 (SQ FT)

Notes

The Aggregate used with the A-1 treatment for the CAPE seal shall be CA-16

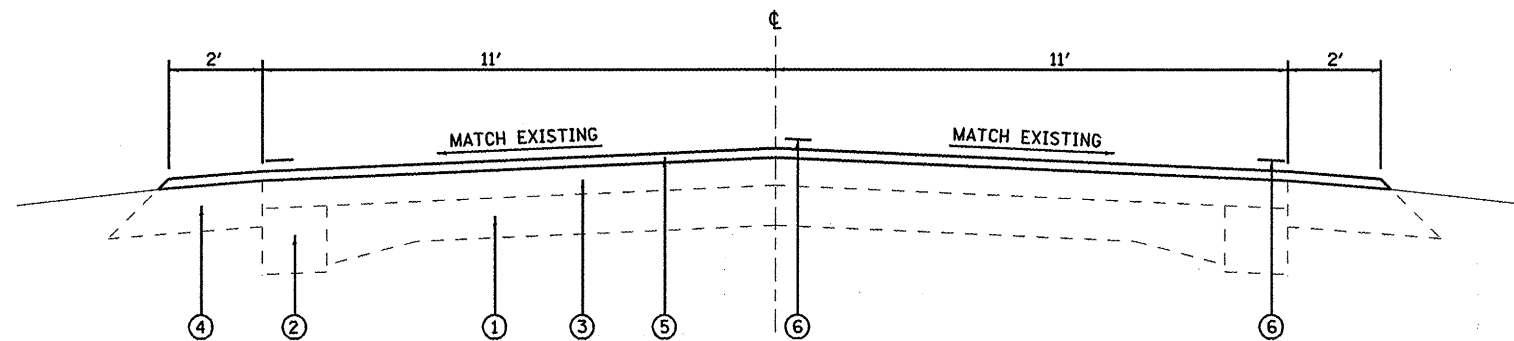
Voids resulting from removal of raised reflective pavement markers to be filled with an approved mix that will not react with the surface treatment, cost to be included with cost for raised reflective pavement marker removal.

No passing zones shall be field verified by District 6 Operations 14 days prior to final pavement markings.

Mixture Requirements

Location(s):	
Mixture Use(s):	Pavement Patching
PG:	PG 64-22
Design Air Voids:	4.0% @ N Design = 50
Mixture composition: (Gradation Mixture)	IL 19.0
Friction Aggregate:	N/A

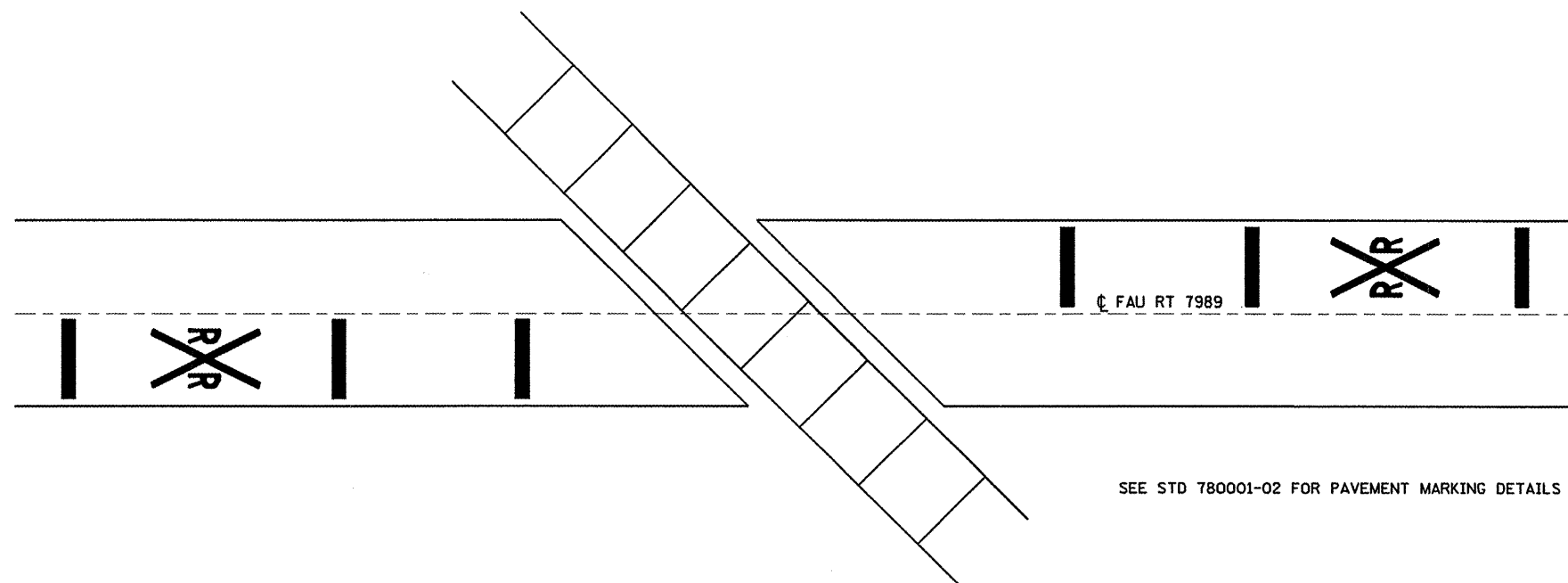
DISTRICT SIX	
EXAMINED <u>August 12</u>	20 <u>09</u>
<i>Bonnie Harris</i>	
OPERATIONS ENGINEER	
EXAMINED <u>Aug 11</u>	20 <u>09</u>
<i>Bonnie Harris</i>	
PROGRAM IMPLEMENTATION ENGINEER	
EXAMINED <u>July 28</u>	20 <u>09</u>
<i>ORU</i>	
PROGRAM DEVELOPMENT ENGINEER	



- LEGEND**
- ① EXISTING PCC PAVEMENT (9-6-9)
 - ② EXISTING PCC WIDENING (9")
 - ③ EXISTING HMA OVERLAY (8" AND VARIABLE)
 - ④ EXISTING HMA SHOULDERS (8")
 - ⑤ PROPOSED CAPE SEAL
 - ⑥ PROPOSED PAINT PAVEMENT MARKING (5")

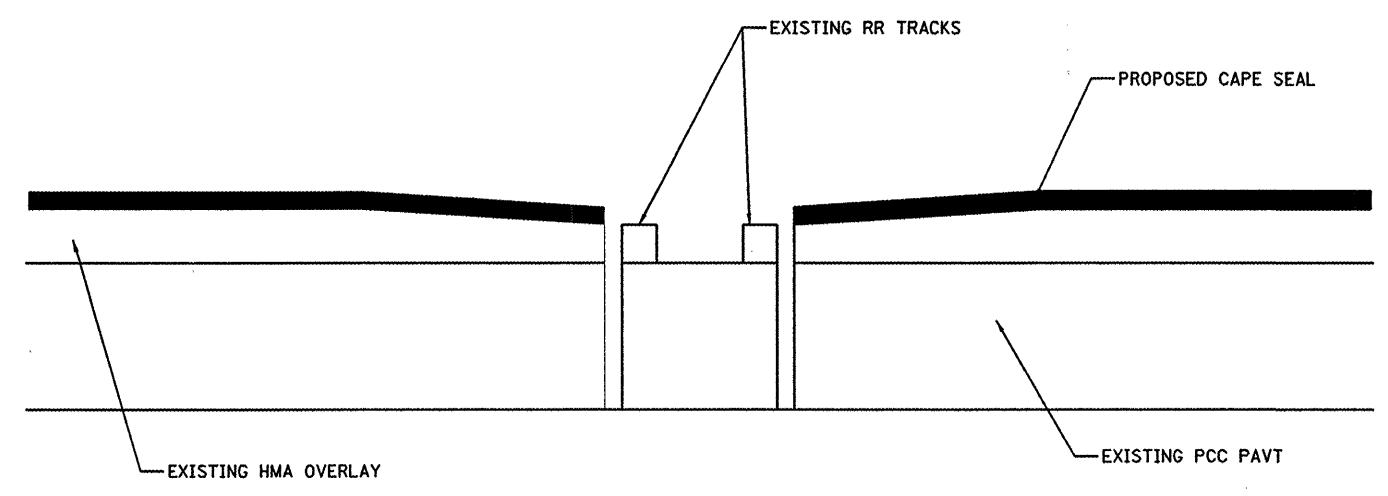
TYPICAL SECTION
 154+30 TO 348+13.3 BK
 6+52.6 AH TO 252+00

FILE NAME = c:\pwork\PIWIDOT\MADONIAV\0147295\d0147295.dgn	USER NAME = madoniaj	DESIGNED -	REVISED -	STATE OF ILLINOIS DEPARTMENT OF TRANSPORTATION	TYPICAL SECTION			F.A.U. RTE.	SECTION	COUNTY	TOTAL SHEETS	SHEET NO.
	PLOT SCALE = 48.0000' / IN.	DRAWN -	REVISED -					797B	(17.18.19)MICROSURFACING	SANGAMON	5	4
PLOT DATE = Aug-14-2009 08:43:48AM	CHECKED -	REVISED -	SCALE:		SHEET NO.	OF	SHEETS	STA.	TO STA.	CONTRACT NO. 72D04		
	DATE -	REVISED -							ILLINOIS FED. AID PROJECT			



SEE STD 780001-02 FOR PAVEMENT MARKING DETAILS

RR-XING PLAN



NOTE: RR TRACKS LOCATED JUST WEST OF S. CARPENTER ROAD

RR-XING PROFILE

FILE NAME =	USER NAME = medonjavj	DESIGNED -	REVISED -	STATE OF ILLINOIS DEPARTMENT OF TRANSPORTATION	DETAILS				F.A.U. RTE.	SECTION	COUNTY	TOTAL SHEETS	SHEET NO.		
c:\pwork\pwidot\MADONIAVJ\0147295\d8	72004-shr-detaile.dgn	DRAWN -	REVISED -		SCALE:	SHEET NO.	OF	SHEETS	STA.	TO STA.	7978	(17, 18, 19)MICROSURFACING	SANGAMON	5	5
	PLOT SCALE = 40.0000' / IN.	CHECKED -	REVISED -											CONTRACT NO. 72004	
	PLOT DATE = Aug-14-2009 08:43:41AM	DATE -	REVISED -											ILLINOIS FED. AID PROJECT	