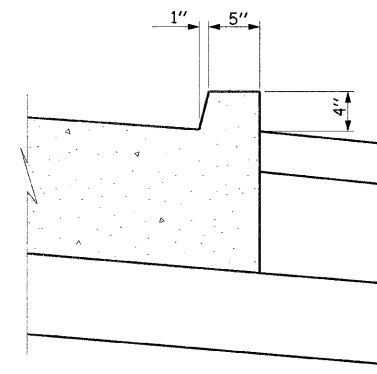
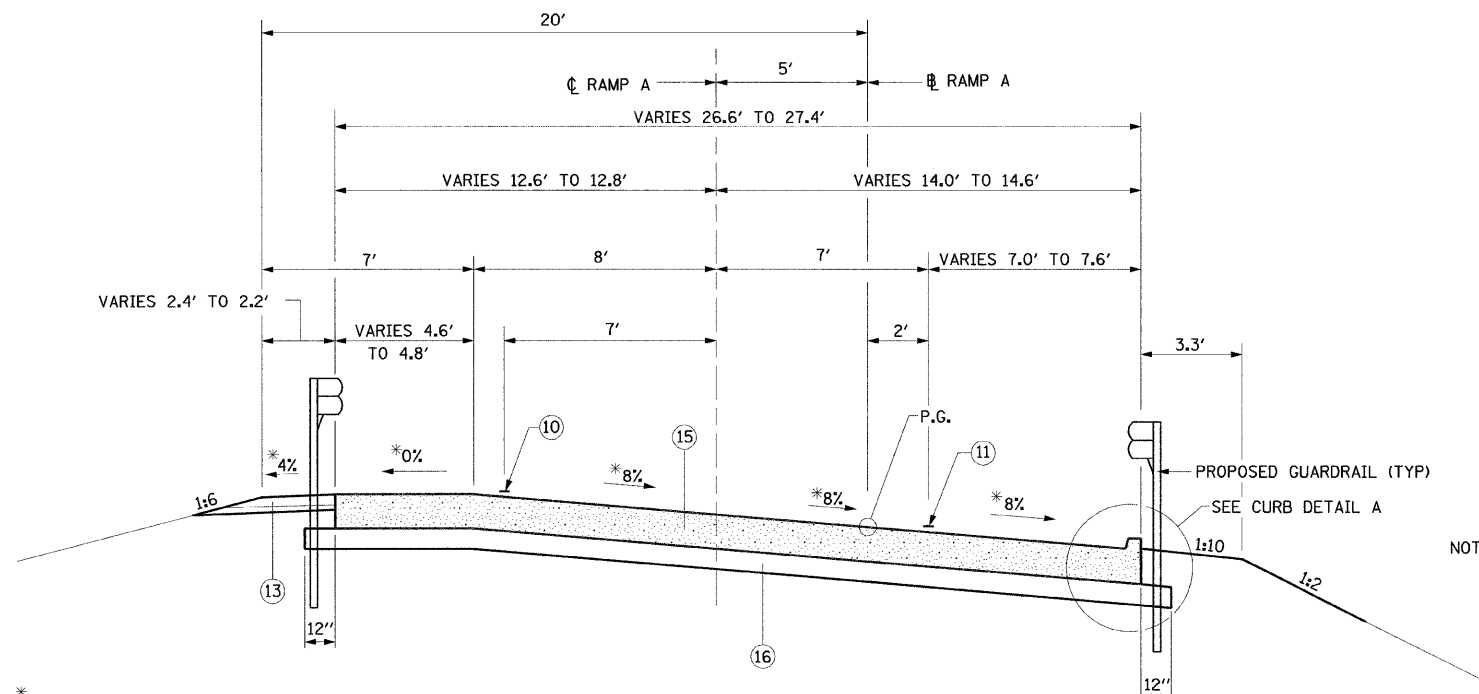


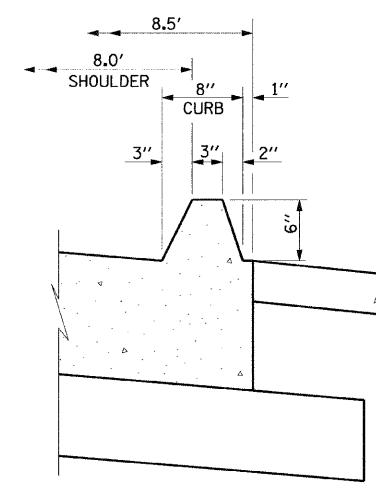
**LEGEND**

- ① EXISTING BITUMINOUS CONCRETE SURFACE COURSE, MIXTURE D, CLASS I (1 1/2")
- ② EXISTING LEVELING BINDER (MACHINE METHOD)
- ③ EXISTING BITUMINOUS SHOULDERS 8"
- ④ EXISTING AGGREGATE SHOULDERS, TYPE B
- ⑤ EXISTING BITUMINOUS CONCRETE CURB
- ⑥ EXISTING EARTH EXCAVATION WIDENING
- ⑦ EXISTING PCC PAVEMENT 10"
- ⑧ EXISTING AGGREGATE SHOULDERS 7"
- ⑨ EXISTING GRANULAR SUB-BASE 8"
- ⑩ PROPOSED PAINT PAVEMENT MARKING - LINE 4" (WHITE-EDGE)
- ⑪ PROPOSED PAINT PAVEMENT MARKING - LINE 4" (YELLOW-EDGE)
- ⑫ PROPOSED HOT-MIX ASPHALT SURFACE REMOVAL, VARIABLE DEPTH
- ⑬ PROPOSED AGGREGATE SHOULDERS, TYPE B (6")
- ⑭ PROPOSED HOT-MIX ASPHALT SURFACE COURSE, MIX "D", N90
- ⑮ PROPOSED BRIDGE APPROACH PAVEMENT CONNECTOR (PCC) (VARIES 12" TO 15")
- ⑯ PROPOSED SUB-BASE GRANULAR MATERIAL, TYPE B 8"
- ⑰ PROPOSED PORTLAND CEMENT CONCRETE SHOULDERS 12" (SPECIAL)



**CURB DETAIL A**  
(NTS)

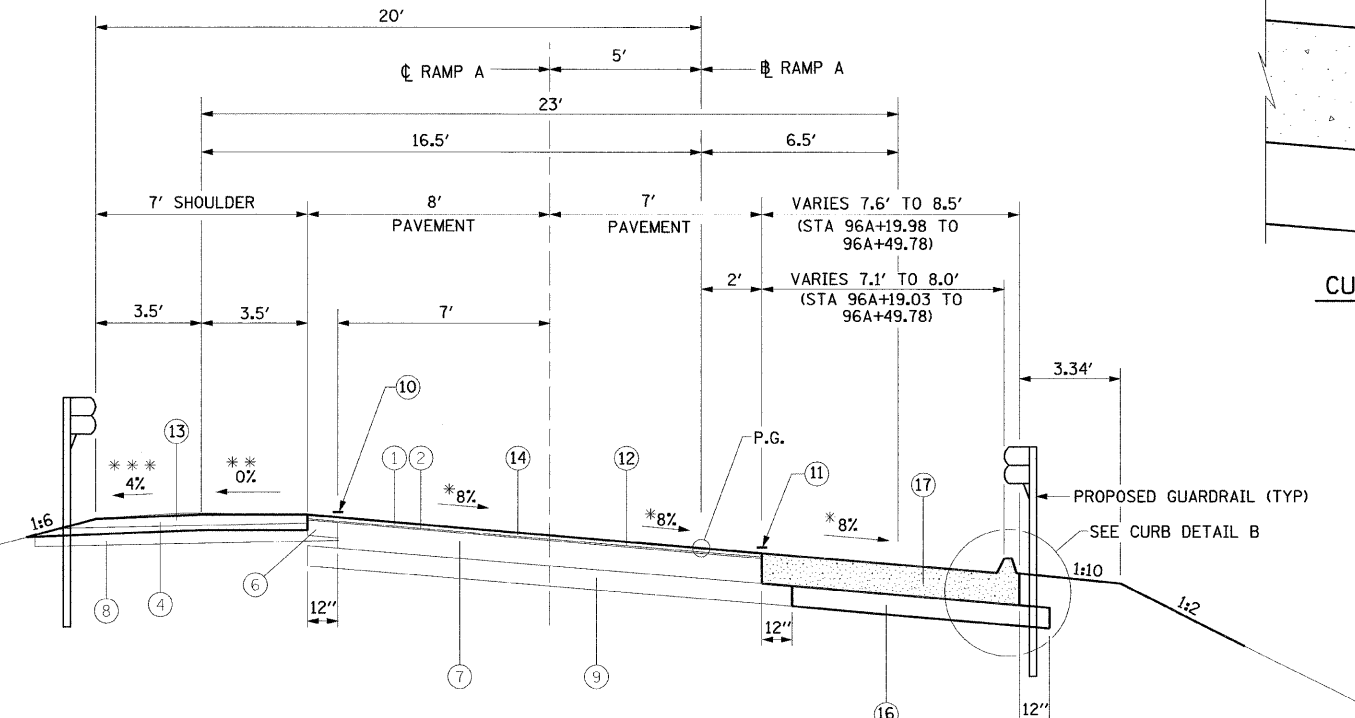
NOTE:  
TRANSITION CURB FROM RT STA 96A+09.41 TO 96A+19.98



**CURB DETAIL B**  
(NTS)

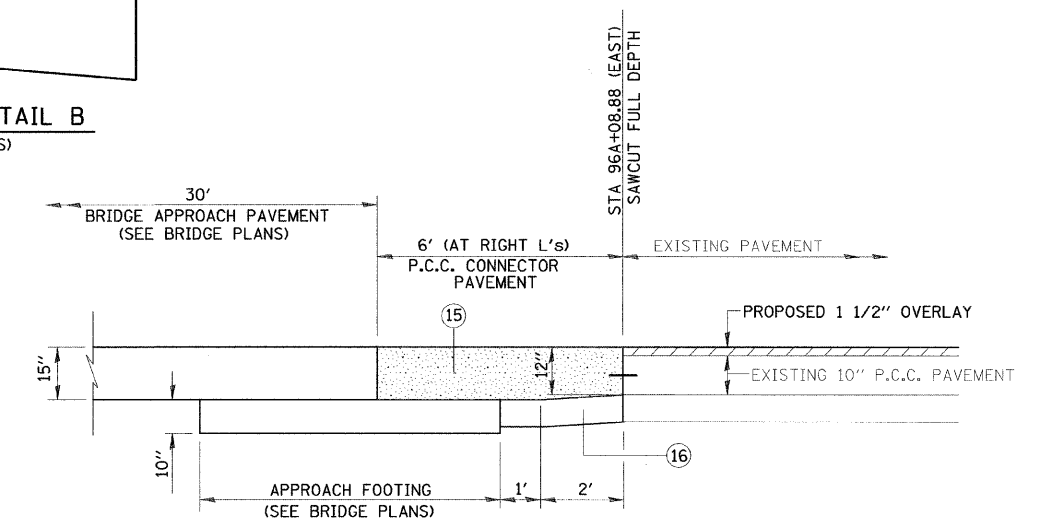
\* VARIES - SEE GENERAL DATA SHEET IN BRIDGE PLANS

**PROPOSED TYPICAL SECTION**  
**U.S. BUSINESS 50 RAMP A**  
**STA 95A+99.90 TO 96A+08.88**  
(SEE BRIDGE APPROACH PAVEMENT CONNECTOR DETAIL)



\* VARIES - SEE GENERAL DATA SHEET IN BRIDGE PLANS  
\*\* VARIES 5.85% TO 0% STA 95A+96.00 TO 97A+00.00  
\*\*\* VARIES 2.15% TO 4% STA 95A+96.00 TO 97A+00.00

**PROPOSED TYPICAL SECTION**  
**U.S. BUSINESS 50 RAMP A**  
**STA 96A+08.88 TO 97A+00.00**  
**SUPERELEVATION TRANSITION**  
(MATCH EXISTING STA 97A+00.00)  
(BUTT JOINT)



**BRIDGE APPROACH PAVEMENT CONNECTOR DETAIL**  
(WORK THIS DETAIL WITH STANDARD 420401)  
(NTS)

FILE NAME =	USER NAME = #USER#	DESIGNED - SMK	REVISED -	<b>STATE OF ILLINOIS</b> <b>DEPARTMENT OF TRANSPORTATION</b>	<b>PROPOSED ROADWAY TYPICAL SECTIONS</b>	F.A.S. RTE.	SECTION	COUNTY	TOTAL SHEETS	SHEET NO.	
#FILEL#		DRAWN - SRS	REVISED -			1807	(51-23HB)-6B-1	LAWRENCE	60	8	
PLOT SCALE = #SCALE#		CHECKED -	REVISED -			CONTRACT NO. 74115					
PLOT DATE = #DATE#		DATE -	REVISED -			(WORK THIS DETAIL WITH STANDARD 420401)					
						SCALE: 1"=3'	SHEET NO. 4 OF 4 SHEETS	STA 95A+99.90 TO STA 97A+00.00	FED. ROAD DIST. NO. [ILLINOIS] FED. AID PROJECT		