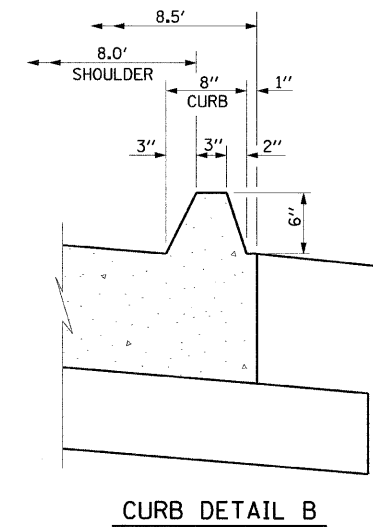
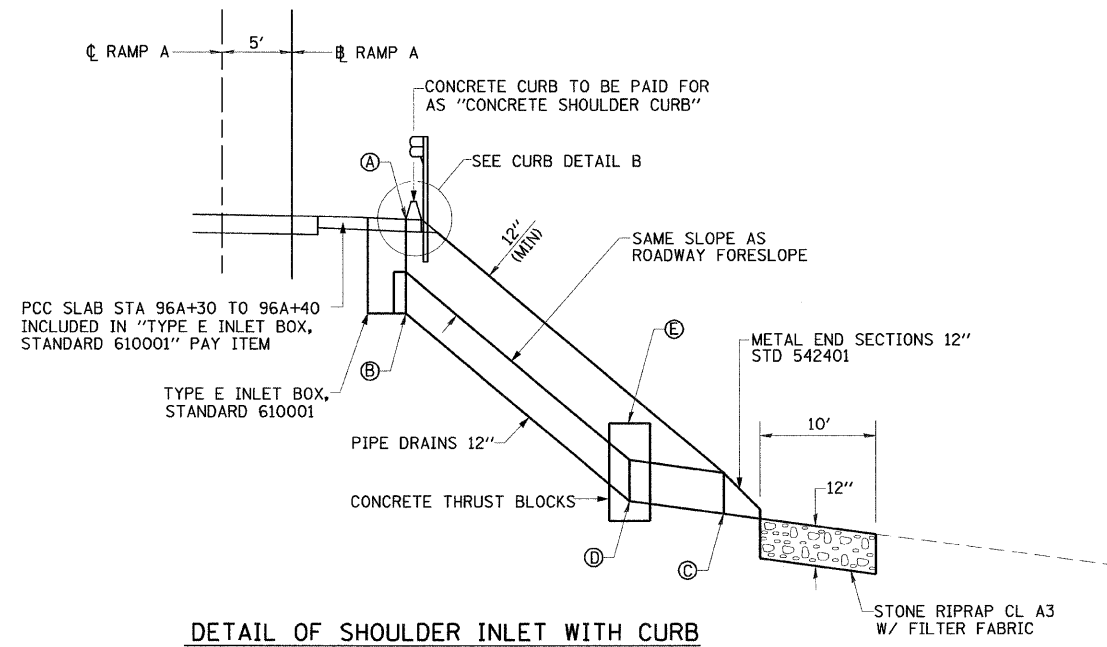


SHOULDER INLET WITH CURB DRAINAGE TABLE

| STATION | TYPE E INLET BOX, STANDARD 610001 61000115 | | | | | PIPE DRAINS 12" 60100945 | | | | | | | CONCRETE THRUST BLOCKS 60900515 | | METAL END SECTIONS 12" STD 542401 54215547 | | STONE RIPRAP, CL A3 28100205 | FILTER FABRIC 28200200 | CONCRETE SHOULDER CURB 66201120 |
|---------------------|--|--------|-------------|--------|----------|-----------------------------|-------------|----------------------|-------------|--------------------------|----------------------|-----------|--|----------|---|----------|------------------------------------|---------------------------|--|
| | A | A | B | B | EACH | B | B | C | C | D | D | FOOT | E | EACH | C | EACH | TON | SQ. YD. | FOOT |
| | T. O. G. ELEV | OFFSET | INV ELEV | OFFSET | | UPSTREAM OFFSET | U. S. F. L. | DOWNSTREAM OFFSET | D. S. F. L. | FLOWLINE BREAK OFFSET | FLOWLINE BREAK EL | | OFFSET | OFFSET | OFFSET | OFFSET | | | |
| RT 96A+35 | 467.46 | 9.46' | 464.79 | 9.46' | 1 | 9.46' | 464.79 | 63.5' | 447.1 | 54.0' | 447.3 | 58.4 | 54.0' | 1 | 63.5' | 1 | 5.6 | 11 | |
| RT 96A+30 TO 96A+40 | | | | | | | | | | | | | | | | | | | 10.0 |
| TOTAL | | | | | 1 | | | | | | | 58 | | 1 | | 1 | 6 | 11 | 10.0 |

NOTES:
T.O.G. = TOP OF GRATE



| | | | | | | | | | | | |
|-------------|----------------------|----------------|-----------|---|---|--------------------|-------------------------|------------|-----------------|---------------------|---------------------------|
| FILE NAME = | USER NAME = #USER# | DESIGNED - SMK | REVISED - | STATE OF ILLINOIS DEPARTMENT OF TRANSPORTATION | SHOULDER INLET WITH CURB SCHEDULE AND DETAIL | F.A.S RTE. | SECTION | COUNTY | TOTAL SHEETS | SHEET NO. | |
| #FILE# | | DRAWN - SRS | REVISED - | | | 1807 | (51-23HB)-68-1 | LAWRENCE | 60 | 14 | |
| | PLOT SCALE = #SCALE# | CHECKED - | REVISED - | | | CONTRACT NO. 74115 | | | | | |
| | PLOT DATE = #DATE# | DATE - | REVISED - | | | SCALE: N/A | SHEET NO. 1 OF 1 SHEETS | STA 96A+30 | TO STA 96A+40 | FED. ROAD DIST. NO. | ILLINOIS FED. AID PROJECT |