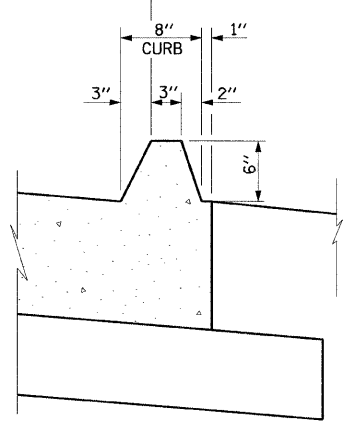


CURB SECTION A-A
(NTS)



CURB SECTION B-B
(NTS)

NOTE:
SEE BRIDGE PLANS FOR BRIDGE APPROACH PAVEMENT DETAILS.
WORK THIS DETAIL WITH HIGHWAY STANDARD 420401.

FILE NAME = #FILEL#	USER NAME = #USER#	DESIGNED - SMK	REVISIONS -	STATE OF ILLINOIS DEPARTMENT OF TRANSPORTATION	BRIDGE APPROACH PAVEMENT CONNECTOR DETAIL & SHOULDER TRANSITION DETAIL	F.A.S. RTE. 1807	SECTION (51-23HB)-6B-1	COUNTY LAWRENCE	TOTAL SHEETS 60	SHEET NO. 15		
PLOT SCALE = #SCALE#	CHECKED -	DATE -	REVISIONS -			SCALE: 1"=3'	SHEET NO. 1 OF 1 SHEETS	STA. 95A+99.90 TO STA. 96A+49.78	CONTRACT NO. 74115			
PLOT DATE = #DATE#	DATE -	REVISIONS -	REVISIONS -			FED. ROAD DIST. NO. ILLINOIS FED. AID PROJECT						