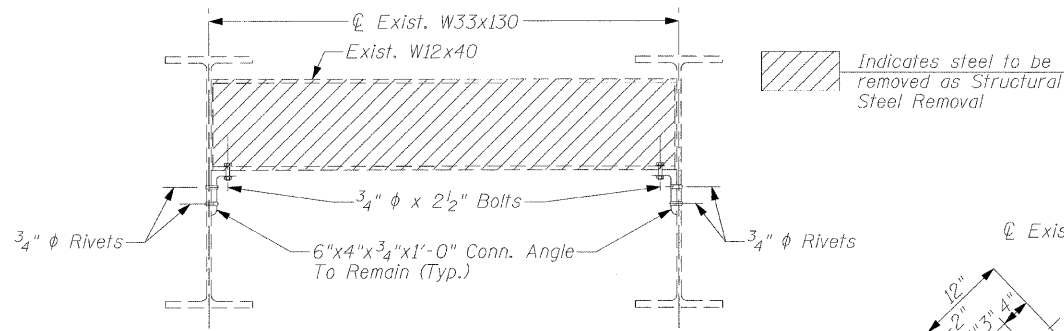
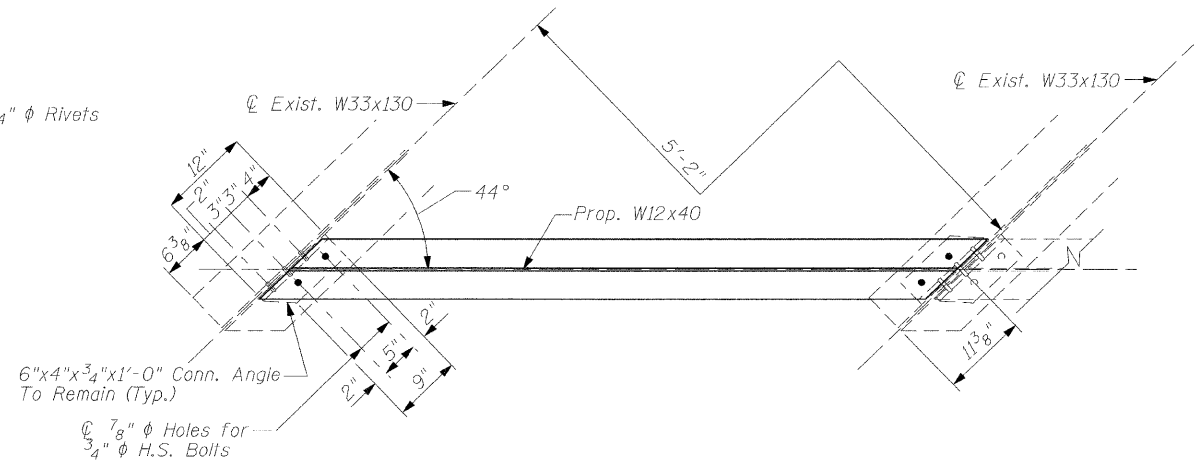


STATE OF ILLINOIS
DEPARTMENT OF TRANSPORTATION

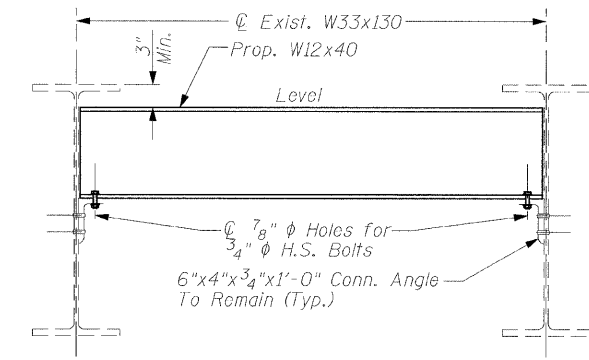


END DIAPHRAGM REMOVAL
(5 Locations, See Plan View)

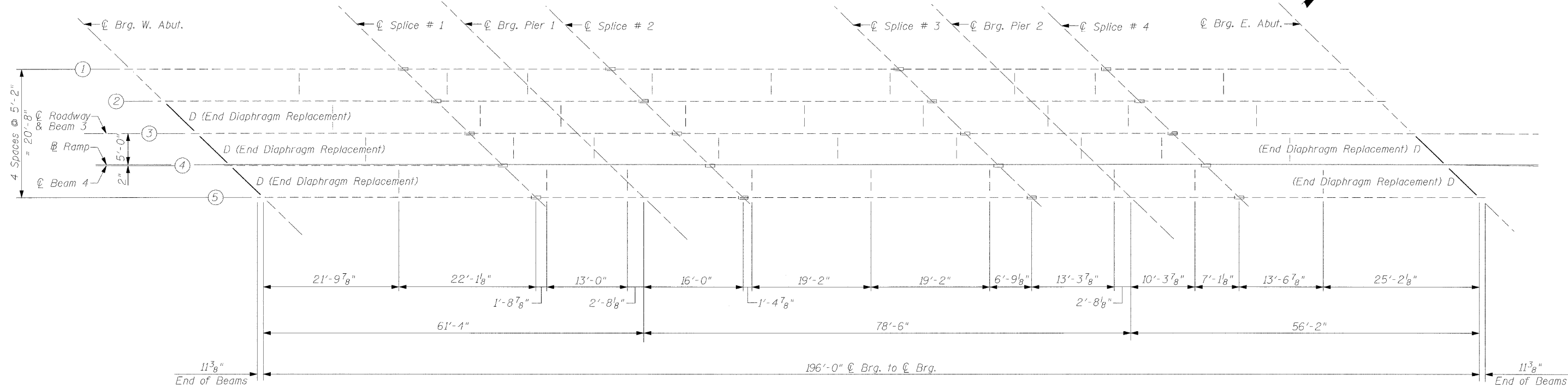
Indicates steel to be removed as Structural Steel Removal



END DIAPHRAGM D - PLAN
(5 Locations, See Plan View)



END DIAPHRAGM D - ELEVATION
(5 Locations, See Plan View)



FRAMING PLAN

BILL OF MATERIAL

Item	Unit	Total
Structural Steel Removal	Pound	1,470
Furnishing & Erecting Structural Steel	Pound	1,470

Notes:
Field verify all dimensions prior to ordering steel.
Cost of field drilling included with Furnishing and Erecting Structural Steel.
Diaphragms at supports may be temporarily disconnected to install bearing anchor rods.
Care shall be taken not to damage existing steel that is to be reused.

STRUCTURAL STEEL
FAS ROUTE 1807 SECTION (51-23HB)-6B-1
LAWRENCE COUNTY
STATION 94A+66.74
STRUCTURE NO. 051-0031

DESIGNED	-	MJP
CHECKED	-	KWB
DRAWN	-	REZ
CHECKED	-	TDN

URS
345 E. ASH AVE., SUITE B
DECATUR, IL. 62526
TEL. 217-875-4800

SHEET NO. 13 24 SHEETS	F.A.S. RTE. 1807	SECTION (51-23HB)-6B-1	COUNTY LAWRENCE	TOTAL SHEETS 60	SHEET NO. 29
	CONTRACT NO. 74115			FED. ROAD DIST. NO. _ ILLINOIS FED. AID PROJECT	