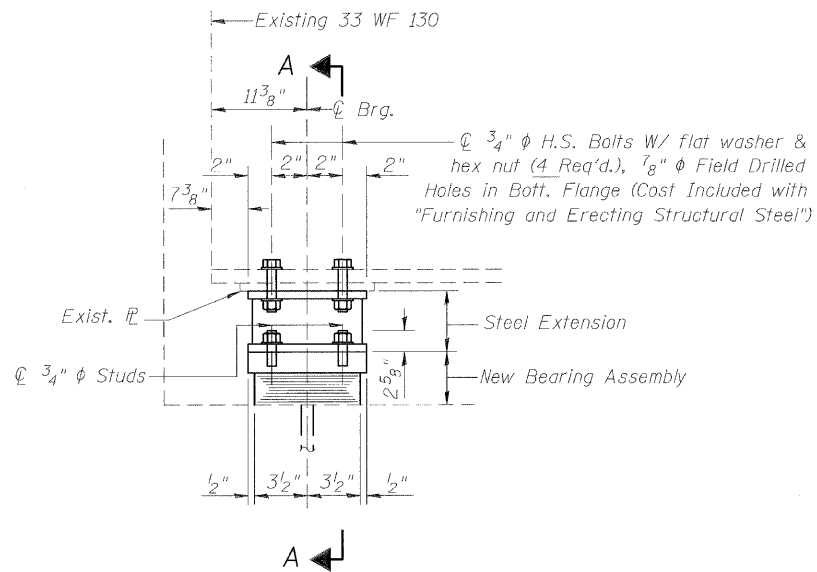
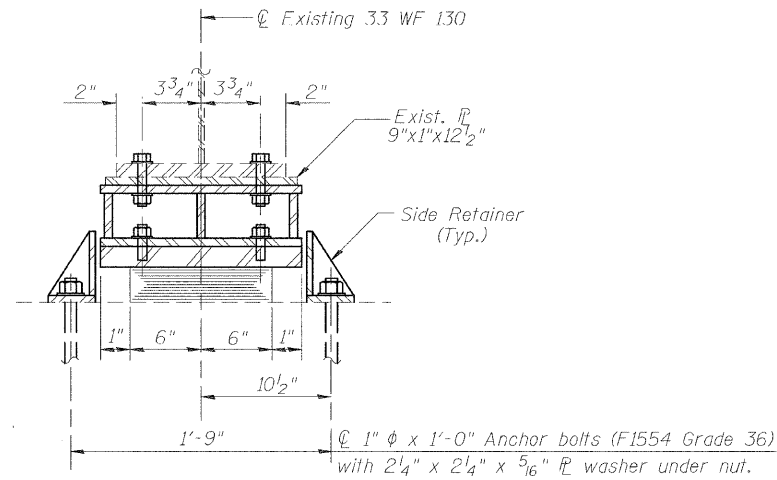


STATE OF ILLINOIS  
DEPARTMENT OF TRANSPORTATION

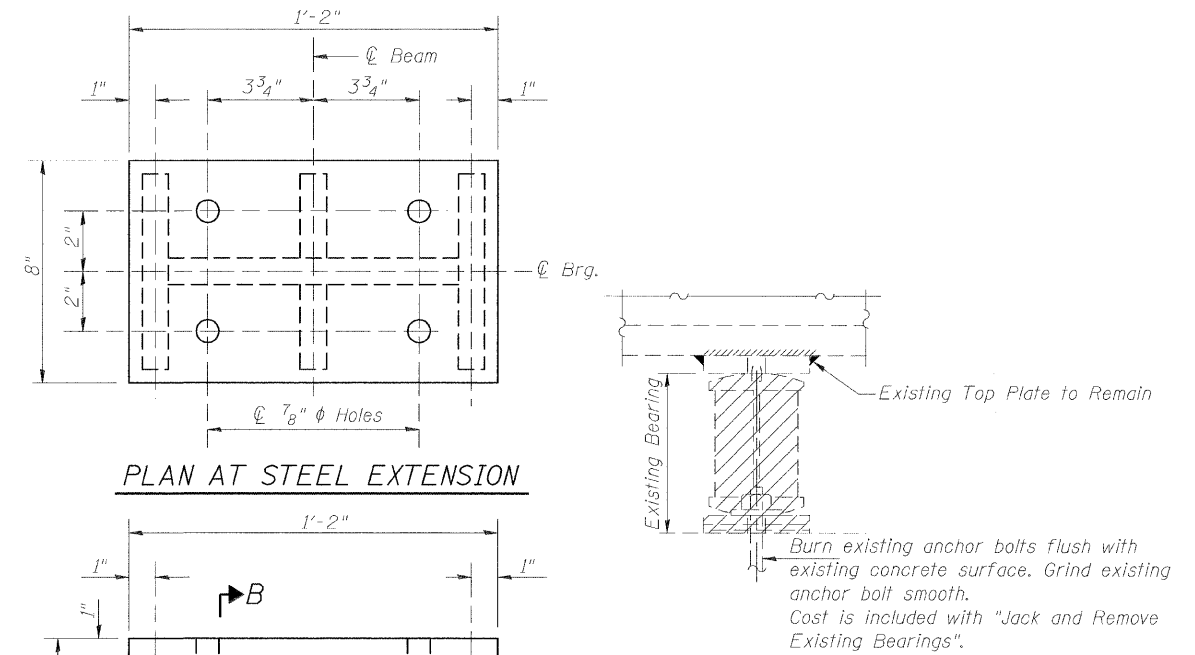


ELEVATION AT WEST ABUT.

TYPE I ELASTOMERIC EXP. BRG.

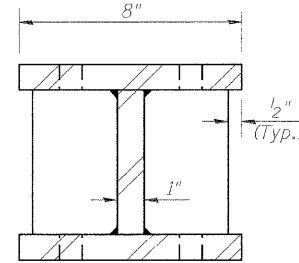


SECTION A-A

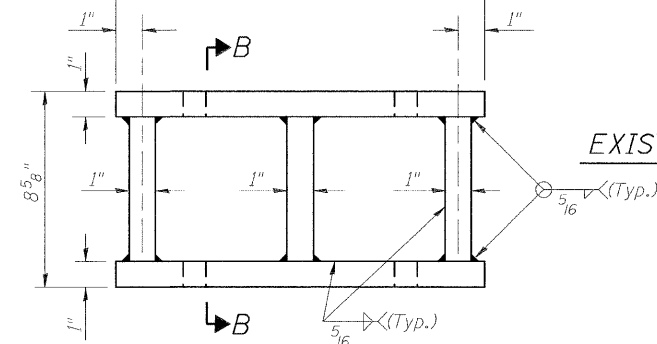


PLAN AT STEEL EXTENSION

EXISTING BEARING REMOVAL DETAIL



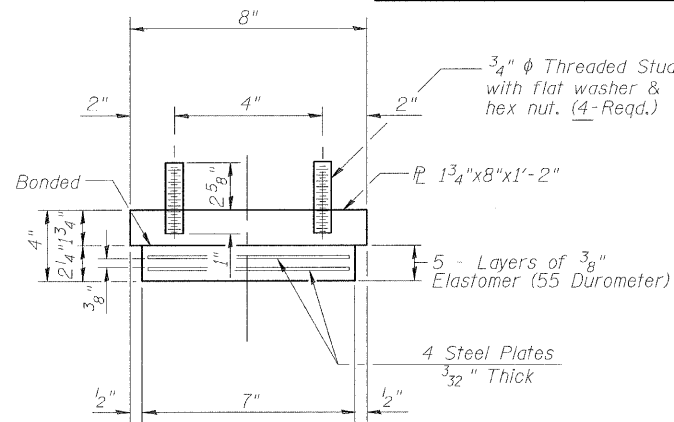
SECTION B-B



ELEVATION AT STEEL EXTENSION

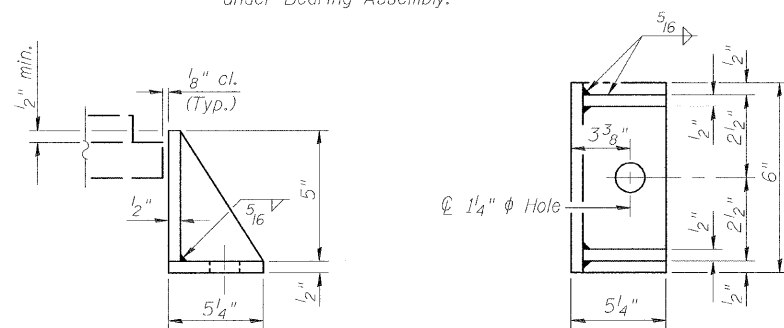
JACK AND REMOVE EXISTING BEARINGS PROCEDURE

1. The Contractor shall submit, for approval by the Engineer, plans for jacking prior to commencing any work at the bearings.
2. Jacking and removing existing bearings shall be done after existing deck removal is completed and before the new deck is poured.
3. The maximum dead load reaction with the deck removed (per bearing) at each abutment is 2.9 kips. The minimum Jack capacity at each abutment (per bearing) shall be 4.8 kips.
4. The new bearing and steel extensions shall be in place and the jacks shall be lowered before the new concrete deck is poured.



BEARING ASSEMBLY

Note: Shim plates shall not be placed under Bearing Assembly.



SIDE RETAINER

Equivalent rolled angle with stiffeners will be allowed in lieu of welded plates. Weight included with Structural Steel. (No. Req'd. = 10)

Notes:  
Anchor bolts shall be ASTM F1554 all-thread (or an Engineer-approved alternate material) of the grade(s) and diameter(s) specified. ASTM A307 Grade C anchor bolts may be used in lieu of ASTM F1554 Grade 36 (Fy=36ksi). The corresponding specified grade of AASHTO M314 anchor bolts may be used in lieu of ASTM F1554.

Anchor bolts for side retainers may be cast in place or installed in holes drilled before or after members are in place.

Drilled and set anchor bolts shall be installed according to Article 521.06 of the Standard Specifications.

Side retainers and other steel members required for the bearing assembly shall be included in the cost of Elastomeric Bearing Assembly, Type I.

After bearings have been erected, holes at expansion bearings shall be drilled and anchor bolts grouted into place.

Fabricated Steel Extension shall be paid for in accordance with Article 505 of the Standard Specifications and included in the cost for Furnishing and Erecting Structural Steel.

Prior to ordering any material, the contractor shall verify in the field all bearing height and shim thickness dimensions.

BILL OF MATERIAL

Item	Unit	Total
Elastomeric Bearing Assembly Type I	Each	5
Furnishing and Erecting Structural Steel	Pound	640
Jack and Remove Existing Bearings	Each	5
Anchor Bolts 1"	Each	10

BEARING DETAILS WEST ABUTMENT  
FAS ROUTE 1807 SECTION (51-23HB)-6B-1  
LAWRENCE COUNTY  
STATION 94A+66.74  
STRUCTURE NO. 051-0031

URS

345 E. ASH AVE., SUITE B  
DECATUR, IL. 62526  
TEL. 217-875-4800

SHEET NO. 15	F.A.S. RTE.	SECTION	COUNTY	TOTAL SHEETS	SHEET NO.
24 SHEETS	1807	(51-23HB)-6B-1	LAWRENCE	60	31
CONTRACT NO. 74115					
FED. ROAD DIST. NO. ILLINOIS FED. AID PROJECT					

DESIGNED -	MJP
CHECKED -	KWB
DRAWN -	REZ
CHECKED -	TDN