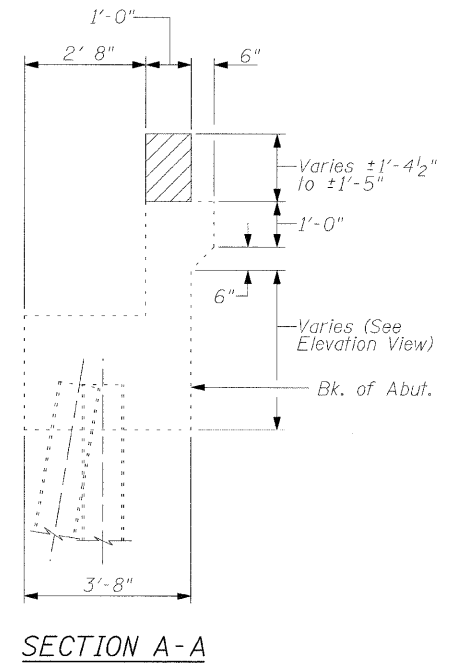
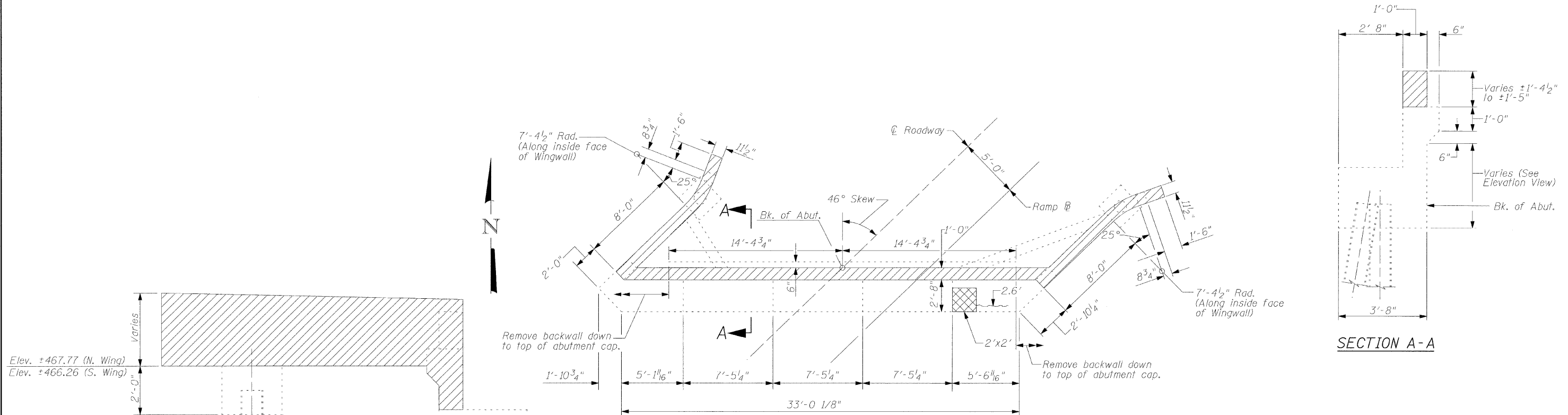


STATE OF ILLINOIS
DEPARTMENT OF TRANSPORTATION



NOTES

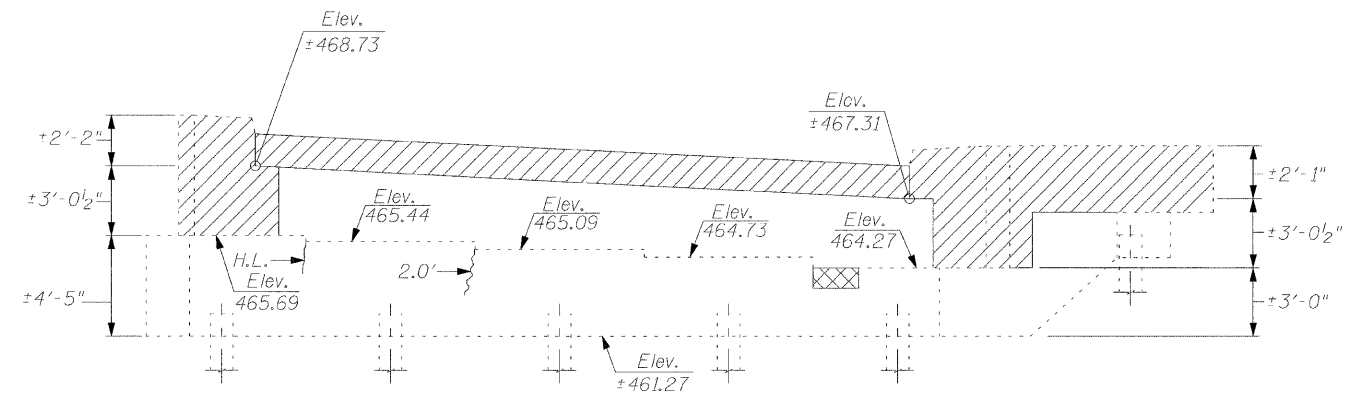
Remove upper portion of backwall between inside face of existing wingwalls to top of corbel as shown. Existing reinforcement extending into new concrete shall be cleaned, straightened, and incorporated into new construction. Cost included with "Concrete Removal".

Remove existing wingwalls to top of existing wingwall pile cap. Cost for removal of railing is included in "Concrete Removal".

WINGWALL ELEVATION

LEGEND

- 2.0' Epoxy Crack Injection
- H.L. Hairline Crack - Not To Be Sealed
- Concrete Removal
- Structural Repair of Concrete



EAST ABUTMENT REPAIR
BILL OF MATERIAL

Item	Unit	Total
Structural Repair of Concrete (Depth Equal To or Less Than 5")	Sq. Ft.	4
Epoxy Crack Injection	Foot	5
Concrete Removal	Cu. Yd.	5.0

CONCRETE REMOVAL & REPAIR DETAILS - EAST ABUTMENT
FAS ROUTE 1807 SECTION (51-23HB)-6B-1
LAWRENCE COUNTY
STATION 94A+66.74
STRUCTURE NO. 051-0031

DESIGNED -	MJP
CHECKED -	KWB
DRAWN -	REZ
CHECKED -	TDN



345 E. ASH AVE., SUITE B
DECATUR, IL. 62526
TEL. 217-875-4800

SHEET NO. 18 24 SHEETS	F.A.S. RTE. 1807	SECTION (51-23HB)-6B-1	COUNTY LAWRENCE	TOTAL SHEETS 60	SHEET NO. 34
	CONTRACT NO. 74115				
FED. ROAD DIST. NO. _ ILLINOIS FED. AID PROJECT					