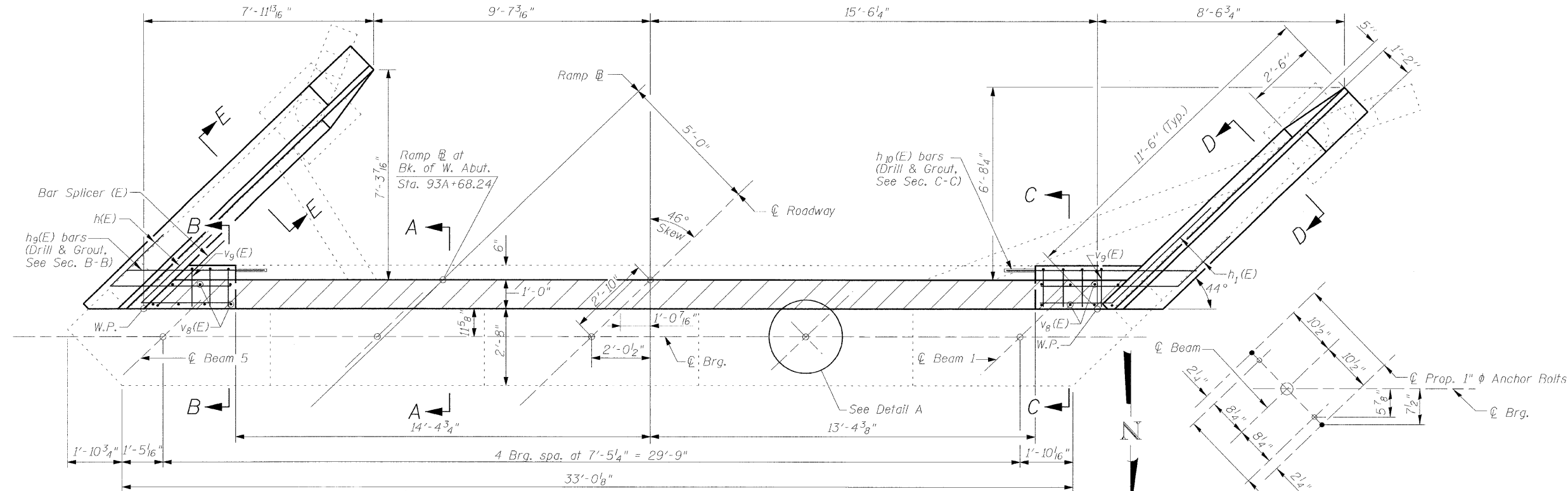


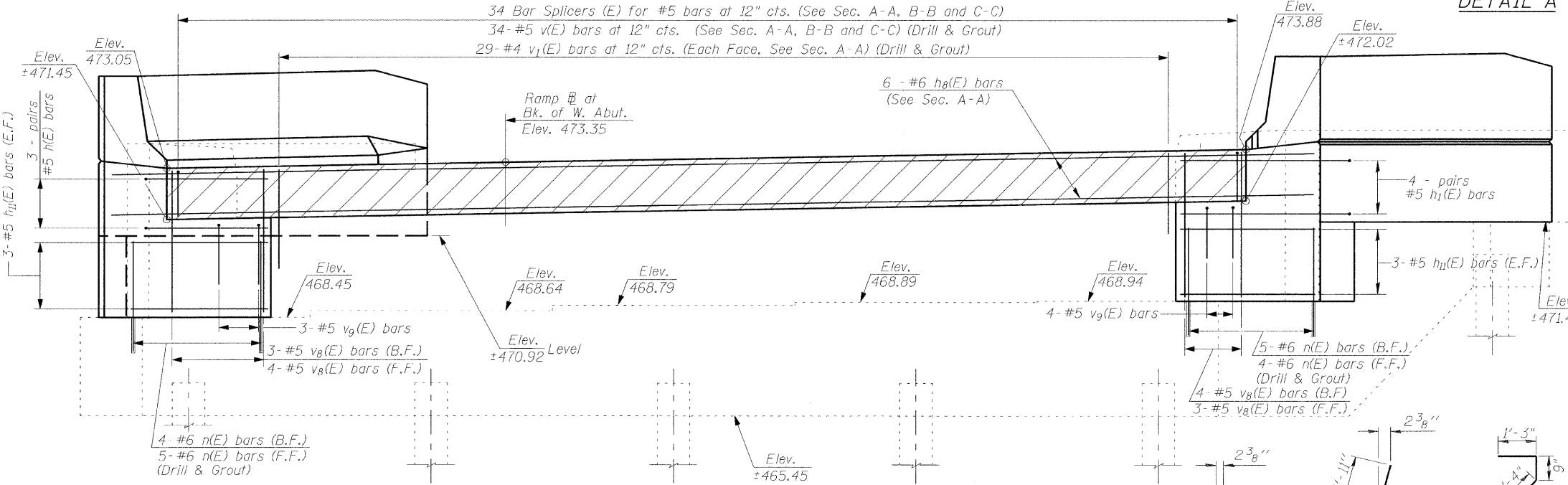
STATE OF ILLINOIS
DEPARTMENT OF TRANSPORTATION



PLAN - WEST ABUTMENT

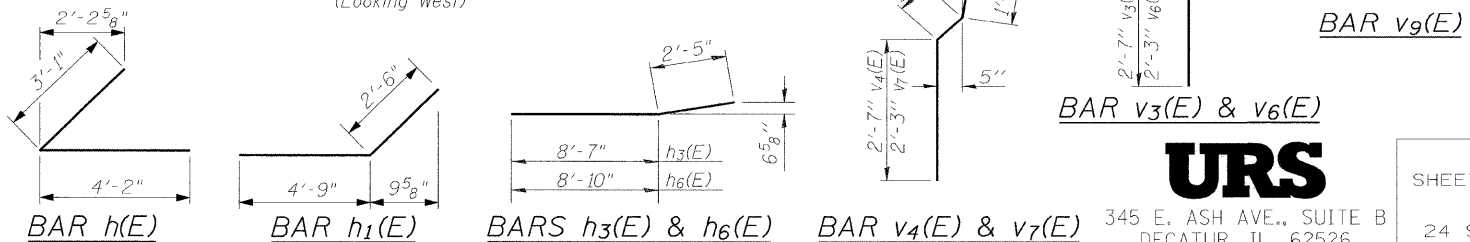
34 Bar Splicers (E) for #5 bars at 12" cts. (See Sec. A-A, B-B and C-C)
34 - #5 v(E) bars at 12" cts. (See Sec. A-A, B-B and C-C) (Drill & Grout)
29 - #4 v1(E) bars at 12" cts. (Each Face, See Sec. A-A) (Drill & Grout)

DETAIL A



ELEVATION - WEST ABUTMENT

(Looking West)



WEST ABUTMENT
BILL OF MATERIAL

Bar	No.	Size	Length	Shape
h(E)	6	#5	7'-3"	└
h1(E)	8	#5	7'-3"	└
h2(E)	7	#4	9'-7"	—
h3(E)	5	#4	11'-0"	—
h4(E)	2	#4	11'-0"	—
h5(E)	6	#4	12'-7"	—
h6(E)	4	#4	11'-3"	└
h7(E)	2	#4	11'-3"	—
h8(E)	6	#6	36'-6"	—
h9(E)	2	#5	4'-9"	—
h10(E)	2	#5	6'-7"	—
h11(E)	12	#5	4'-1"	—
n(E)	56	#6	3'-3"	—
v(E)	34	#5	1'-9"	—
v1(E)	58	#4	2'-5"	—
v2(E)	11	#6	5'-1"	—
v3(E)	3	#6	4'-6"	—
v4(E)	10	#6	5'-3"	—
v5(E)	14	#6	4'-9"	—
v6(E)	3	#6	4'-2"	—
v7(E)	10	#6	4'-11"	—
v8(E)	14	#5	4'-5"	—
v9(E)	7	#5	3'-4"	└
Structure Excavation			Cu. Yd.	4.4
Concrete Structures			Cu. Yd.	4.2
Concrete Superstructure			Cu. Yd.	4.8
Reinforcement Bars, Epoxy Coated			Pound	1600
Protective Coat			Sq. Ft.	23
Pipe Underdrains For Structure 4"			Foot	125
Bar Splicers			Each	34

For details of Bar Splicers, see sheet 24 of 24.

Notes:
Hatched area to be poured after superstructure forms have been removed. Quantity of concrete included with Concrete Superstructure.
Existing reinforcement extending into the removed area and extending into the proposed construction shall be cleaned, straightened and incorporated into the new construction. Existing reinforcement extending into the removed area and not into the proposed construction shall be cut off flush with the existing concrete surface and sealed with epoxy. Cost included with "Concrete Removal".
Reinforcement bars shall conform to the requirements of ASTM A 706, Grade 60. See Special Provisions.
Reinforcement bars designated (E) shall be epoxy coated.
Drill 9" (Min.) deep holes into existing concrete for v(E) and v1(E) bars.
Drill 12" (Min.) deep holes into existing concrete for h3(E), h6(E), n(E) and Bar Splicer(E) with care taken to avoid existing reinforcement.
Bars to be epoxy grouted into existing concrete according to Article 584 of the Standard Specifications. (Cost included in "Reinforcement Bars, Epoxy Coated")
Work this sheet with Sheet 20 of 24.
Elevations given at back of abutment.

WEST ABUTMENT
FAS ROUTE 1807 SECTION (51-23HB)-6B-1
LAWRENCE COUNTY
STATION 94A+66.74
STRUCTURE NO. 051-0031

DESIGNED -	MJP
CHECKED -	KWB
DRAWN -	REZ
CHECKED -	TDN

URS
345 E. ASH AVE., SUITE B
DECATUR, IL. 62526
TEL. 217-875-4800

SHEET NO. 19 24 SHEETS	F.A.S. RTE.	SECTION	COUNTY	TOTAL SHEETS	SHEET NO.
	1807	(51-23HB)-6B-1	LAWRENCE	60	35
CONTRACT NO. 74115					
FED. ROAD DIST. NO. ILLINOIS FED. AID PROJECT					