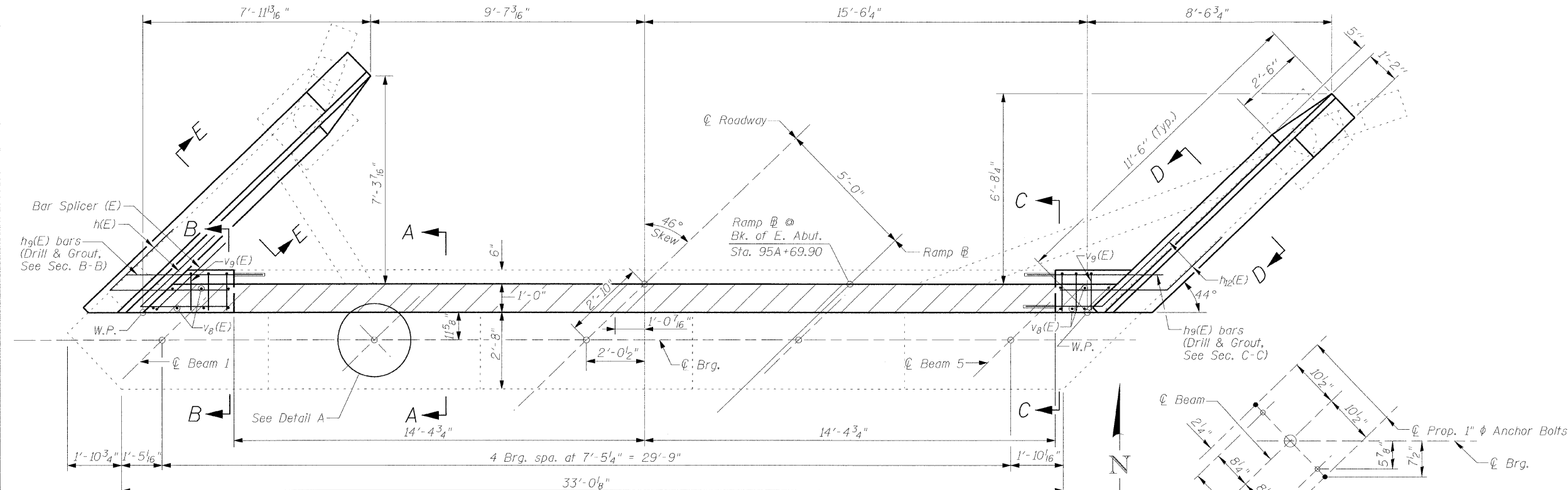
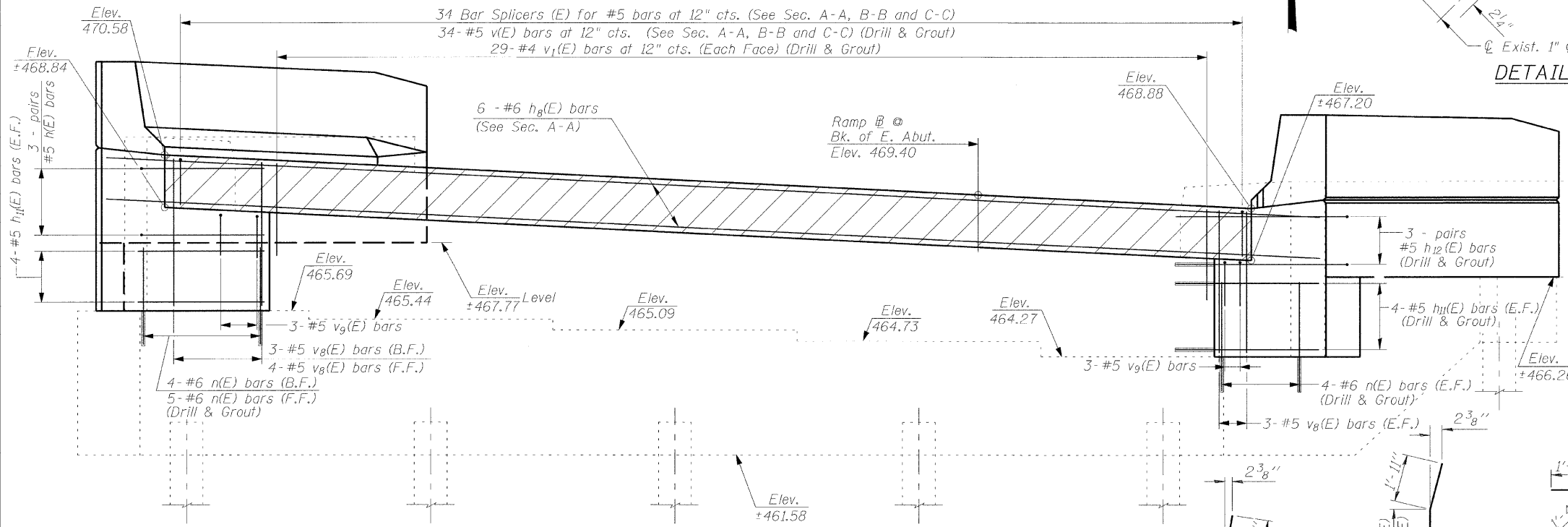


STATE OF ILLINOIS  
DEPARTMENT OF TRANSPORTATION

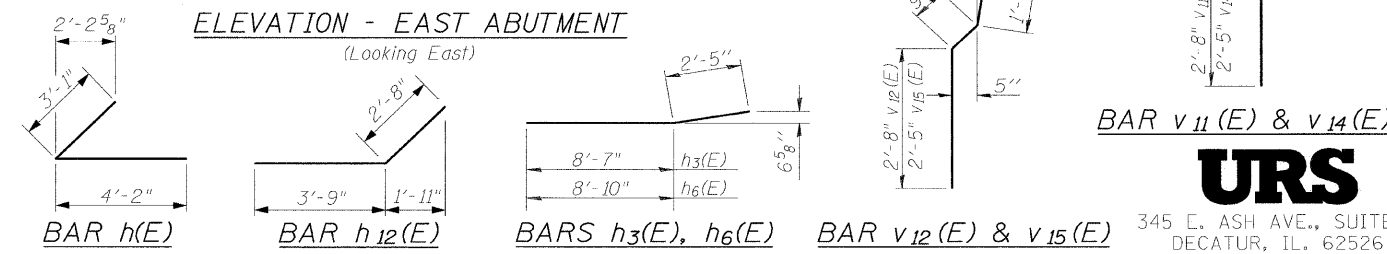


PLAN - EAST ABUTMENT



ELEVATION - EAST ABUTMENT  
(Looking East)

DESIGNED - MJP
CHECKED - KWB
DRAWN - REZ
CHECKED - TDN



EAST ABUTMENT  
BILL OF MATERIAL

Bar	No.	Size	Length	Shape
h(E)	6	#5	7'-3"	└
h2(E)	7	#4	9'-7"	└
h3(E)	5	#4	11'-0"	└
h4(E)	2	#4	11'-0"	└
h5(E)	7	#4	12'-7"	└
h6(E)	5	#4	11'-3"	└
h7(E)	2	#4	11'-3"	└
h8(E)	6	#6	36'-6"	└
h9(E)	4	#5	4'-9"	└
h11(E)	16	#5	4'-1"	└
h12(E)	6	#5	6'-5"	└
n(E)	55	#6	3'-3"	└
v(E)	34	#5	1'-9"	└
v1(E)	58	#4	2'-5"	└
v8(E)	13	#5	4'-5"	└
v9(E)	6	#5	3'-4"	└
v10(E)	14	#6	5'-2"	└
v11(E)	3	#6	4'-7"	└
v12(E)	10	#6	5'-4"	└
v13(E)	11	#6	4'-10"	└
v14(E)	3	#6	4'-4"	└
v15(E)	10	#6	5'-1"	└
Structure Excavation			Cu. Yd.	45
Concrete Structures			Cu. Yd.	4.3
Concrete Superstructure			Cu. Yd.	4.7
Reinforcement Bars, Epoxy Coated			Pound	1610
Protective Coat			Sq. Yd.	22
Pipe Underdrains For Structure 4"			Foot	128
Bar Splicers			Each	34

For details of Bar Splicers, see sheet 24 of 24.

Notes:  
Hatched area to be poured after superstructure forms have been removed. Quantity of concrete included with Concrete Superstructure.  
Existing reinforcement extending into the removed area and extending into the proposed construction shall be cleaned, straightened and incorporated into the new construction. Existing reinforcement extending into the removed area and not into the proposed construction shall be cut off flush with the existing concrete surface and sealed with epoxy. Cost included with "Concrete Removal".  
Reinforcement bars shall conform to the requirements of ASTM A 706, Grade 60. See Special Provisions.  
Reinforcement bars designated (E) shall be epoxy coated.  
Drill 9" (Min.) deep holes into existing concrete for v(E) and v1(E) bars.  
Drill 12" (Min.) deep holes into existing concrete for h3(E), h11(E), h12(E), n(E) and Bar Splicer(E) with care taken to avoid existing reinforcement. Bars to be epoxy grouted into existing concrete according to Article 584 of the Standard Specifications. (Cost included in "Reinforcement Bars, Epoxy Coated")  
Work this sheet with Sheet 22 of 24.  
Elevations given at back of abutment.

EAST ABUTMENT  
FAS ROUTE 1807 SECTION (51-23HB)-6B-1  
LAWRENCE COUNTY  
STATION 94A+66.74  
STRUCTURE NO. 051-0031

**URS**  
345 E. ASH AVE., SUITE B  
DECATUR, IL, 62526  
TEL. 217-875-4800

SHEET NO. 21	F.A.S. RTE. 1807	SECTION (51-23HB)-6B-1	COUNTY LAWRENCE	TOTAL SHEETS 60	SHEET NO. 37
24 SHEETS			CONTRACT NO. 74115		
FED. ROAD DIST. NO. _ ILLINOIS FED. AID PROJECT					