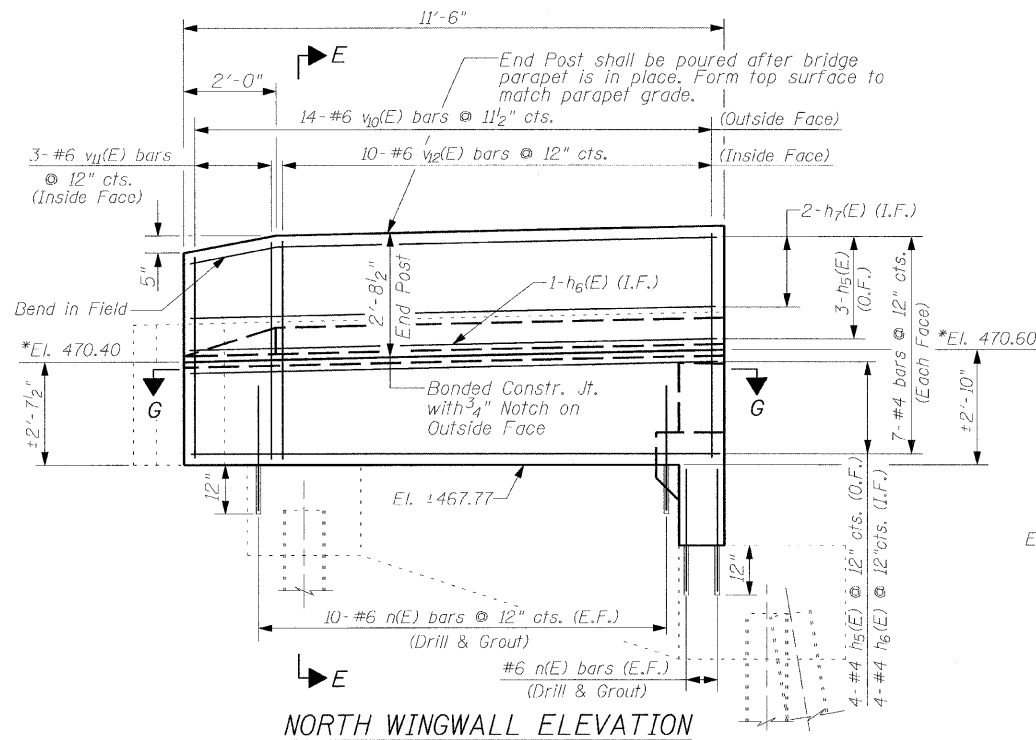
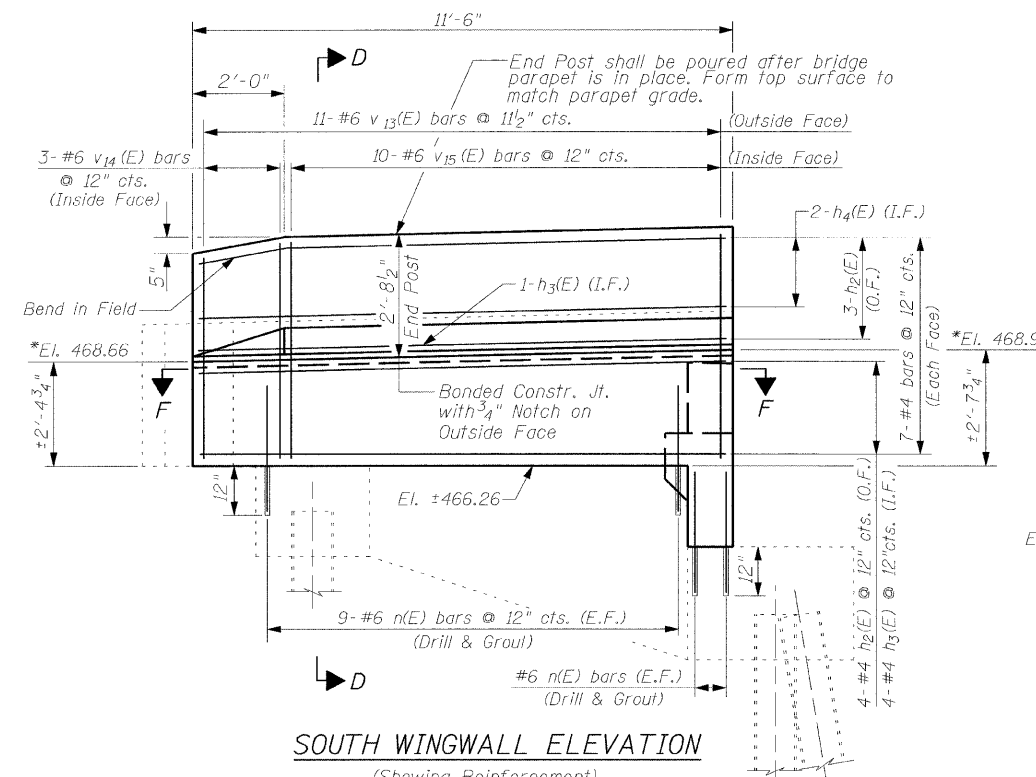


STATE OF ILLINOIS
DEPARTMENT OF TRANSPORTATION



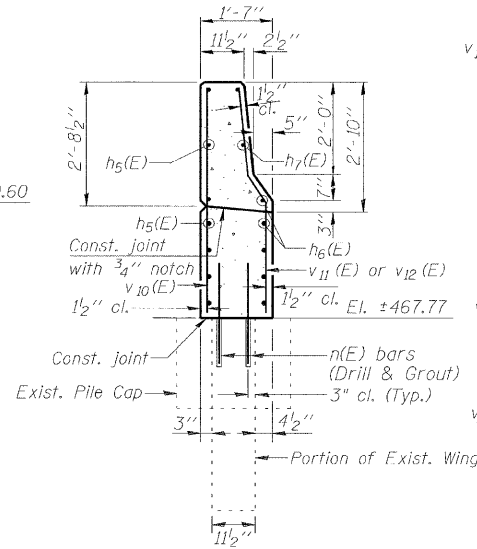
NORTH WINGWALL ELEVATION
(Showing Reinforcement)

*Elevations given at inside face of wingwall.

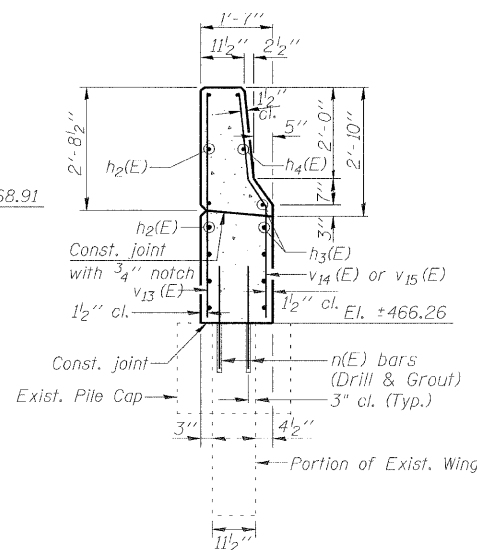


SOUTH WINGWALL ELEVATION
(Showing Reinforcement)

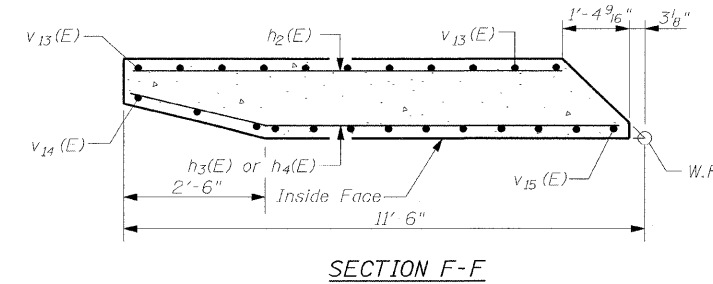
*Elevations given at inside face of wingwall.



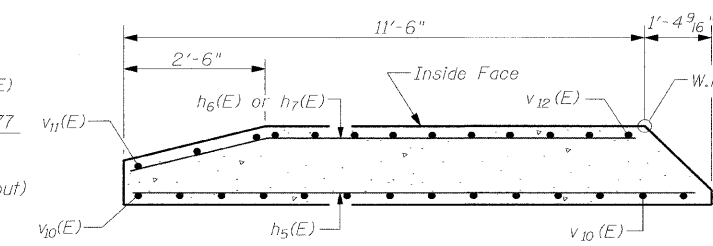
SECTION E-E
(See Sht. 21 of 24)



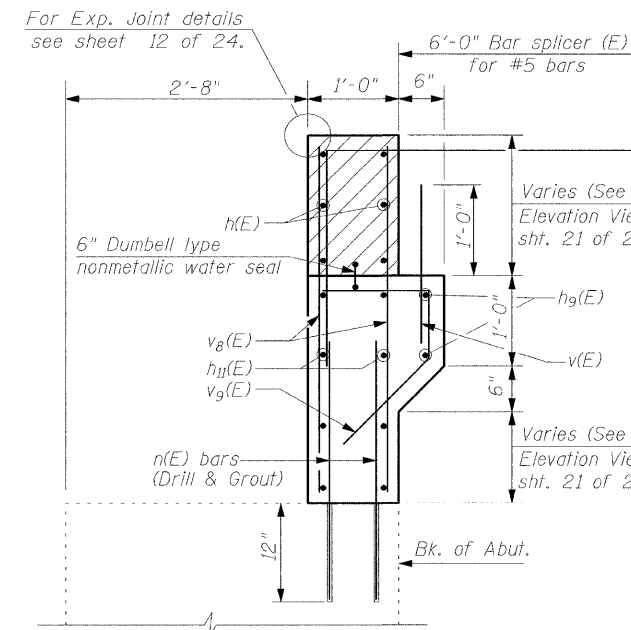
SECTION D-D
(See Sht. 21 of 24)



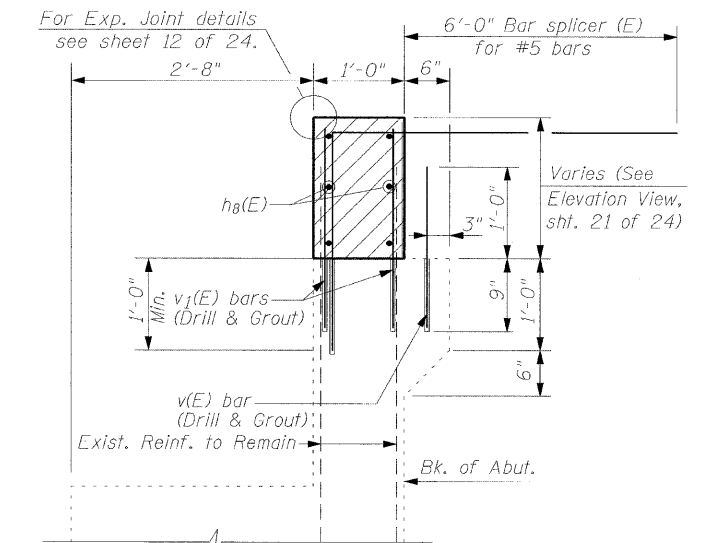
SECTION F-F



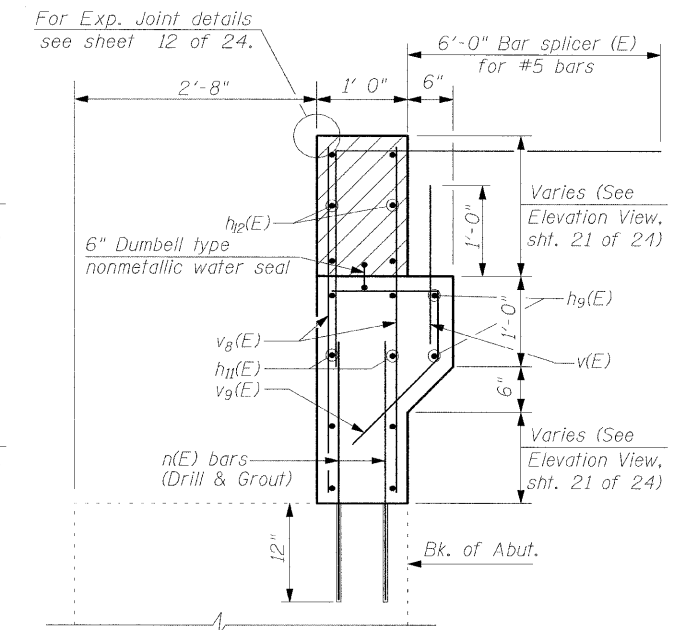
SECTION G-G



SECTION B-B
(See Sht. 21 of 24)



SECTION A-A
(See Sht. 21 of 24)



SECTION C-C
(See Sht. 21 of 24)

Notes:
Work this sheet with sheet 21 of 24.
Hatched areas to be poured after superstructure forms have been removed. Quantity of concrete included with Concrete Superstructure.
Quantity of concrete in end post included with Concrete Superstructure on sheet 9 of 24.
Drill 9" (Min.) deep holes into existing concrete for v(E) and v1(E) bars.
Drill 12" (Min.) deep holes into existing concrete for h3(E), h4(E), n(E) and Bar Splicer(E) with care taken to avoid existing reinforcement.
Bars to be epoxy grouted into existing concrete according to Article 584 of the Standard Specifications. (Cost included in "Reinforcement Bars, Epoxy Coated")

EAST ABUTMENT DETAILS
FAS ROUTE 1807 SECTION (51-23HB)-6B-1
LAWRENCE COUNTY
STATION 94A+66.74
STRUCTURE NO. 051-0031

DESIGNED -	MJP
CHECKED -	KWB
DRAWN -	REZ
CHECKED -	TDN

URS
345 E. ASH AVE., SUITE B
DECATUR, IL. 62526
TEL. 217-875-4800

SHEET NO. 22 24 SHEETS	F.A.S. RTE.	SECTION	COUNTY	TOTAL SHEETS	SHEET NO.
	1807	(51-23HB)-6B-1	LAWRENCE	60	38
CONTRACT NO. 74115					
FED. ROAD DIST. NO. ILLINOIS FED. AID PROJECT					