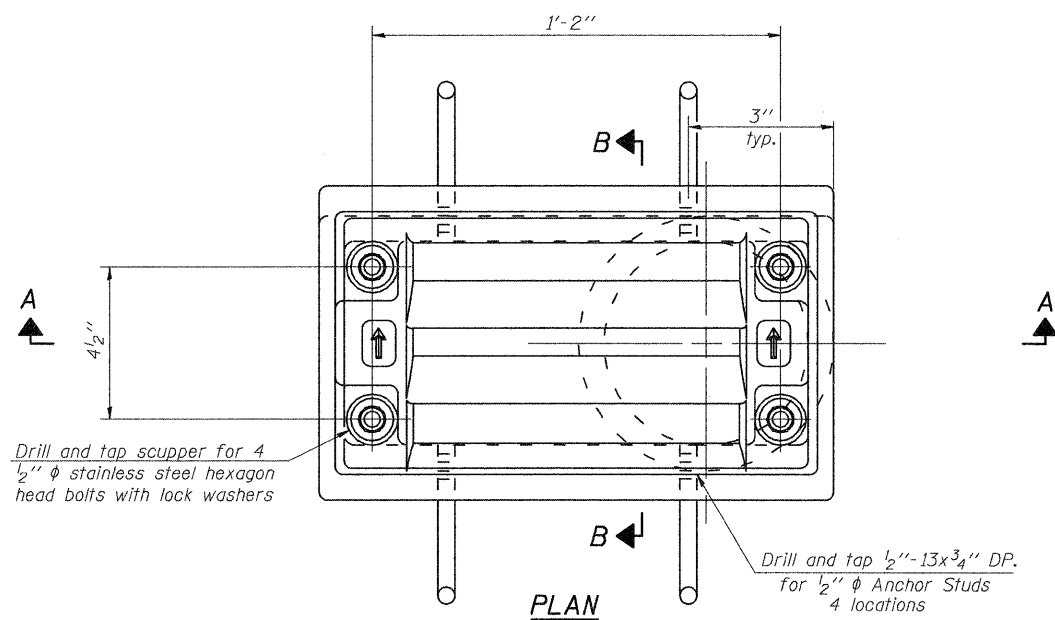
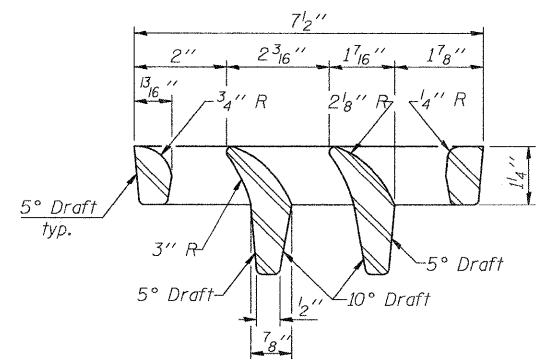


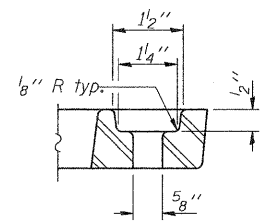
STATE OF ILLINOIS
DEPARTMENT OF TRANSPORTATION



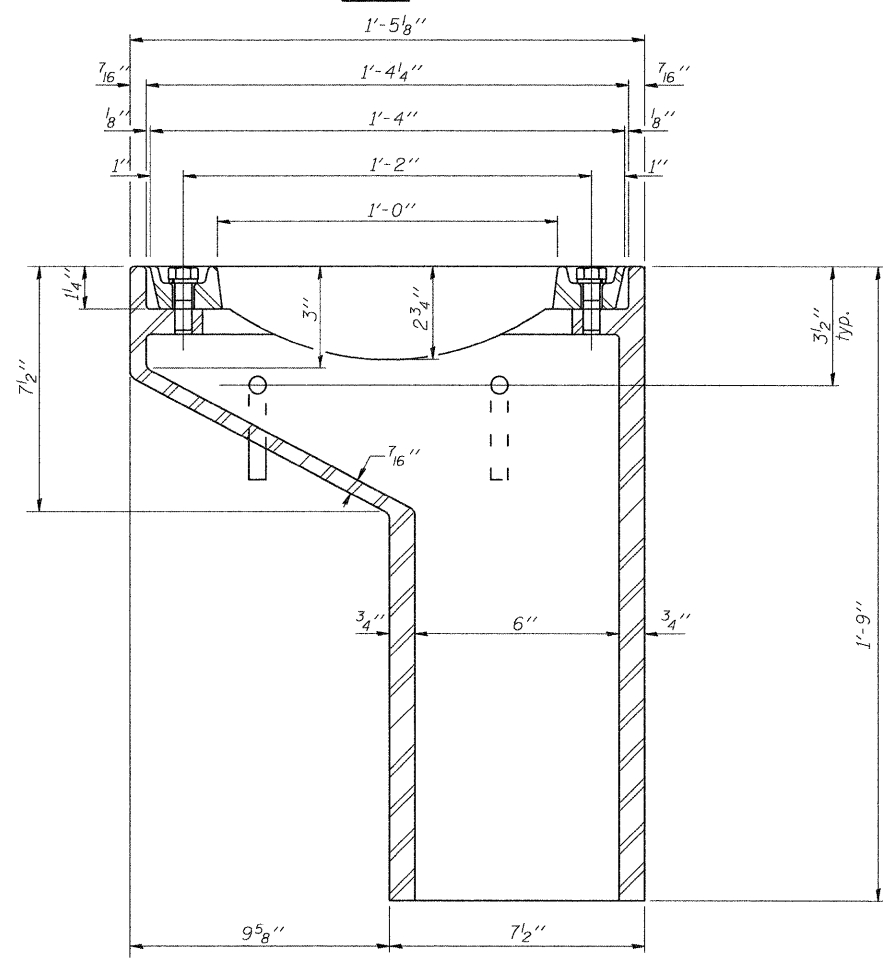
PLAN



VANE GRATE DETAIL

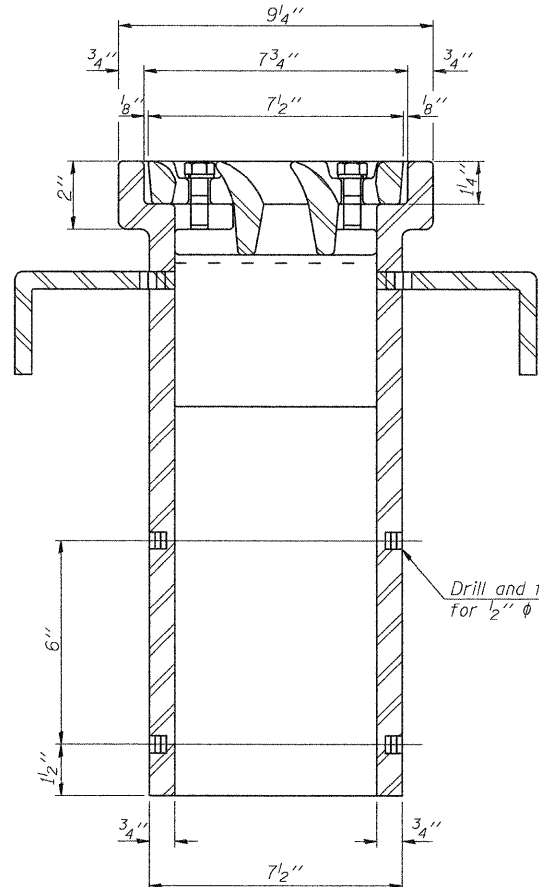


BOLT HOLE DETAIL



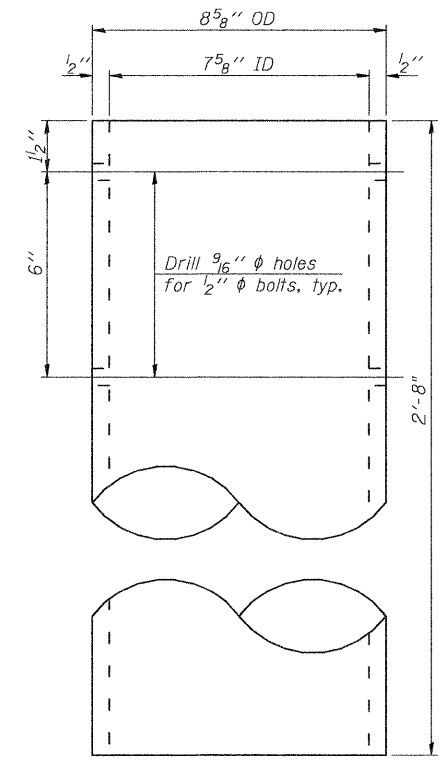
SECTION A-A

See sheet of for scupper location relative to parapet.

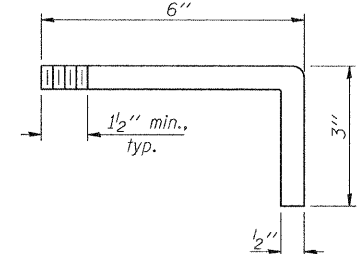


SECTION B-B

Drill and tap 1/2"-13x1/2" DP. for 1/2" φ bolts. (4 locations)



DOWNSPOUT



ANCHOR STUD DETAIL

BILL OF MATERIAL

ITEM	UNIT	QUANTITY
Drainage Scupper, DS-11	Each	4

DRAINAGE SCUPPER, DS-11
KINMUNDY/LOUISVILLE ROAD
OVER ILLINOIS CENTRAL RR
STA. 475+50.44

DESIGNED	
CHECKED	
DRAWN	J.G.
CHECKED	C.J.F. & B.B.

DS-11 5-16-08



BERNARDIN
LOCHMUELLER &
ASSOCIATES, INC.

3 Oak Drive
Maryville, IL 62082-6635
Local (618) 288-4665
Fax 618-288-4666

SHEET NO. 18	F.A.S. RTE. 2703	SECTION (9-VBR)B	COUNTY CLAY	TOTAL SHEETS 65	SHEET NO. 40
22 SHEETS	SN 013-0044		CONTRACT NO. 74136		
FED. ROAD DIST. NO. 7 ILLINOIS FED. AID PROJECT					

28033 PW 10/3/2008 _LBR\pds\030044\74136.dgn