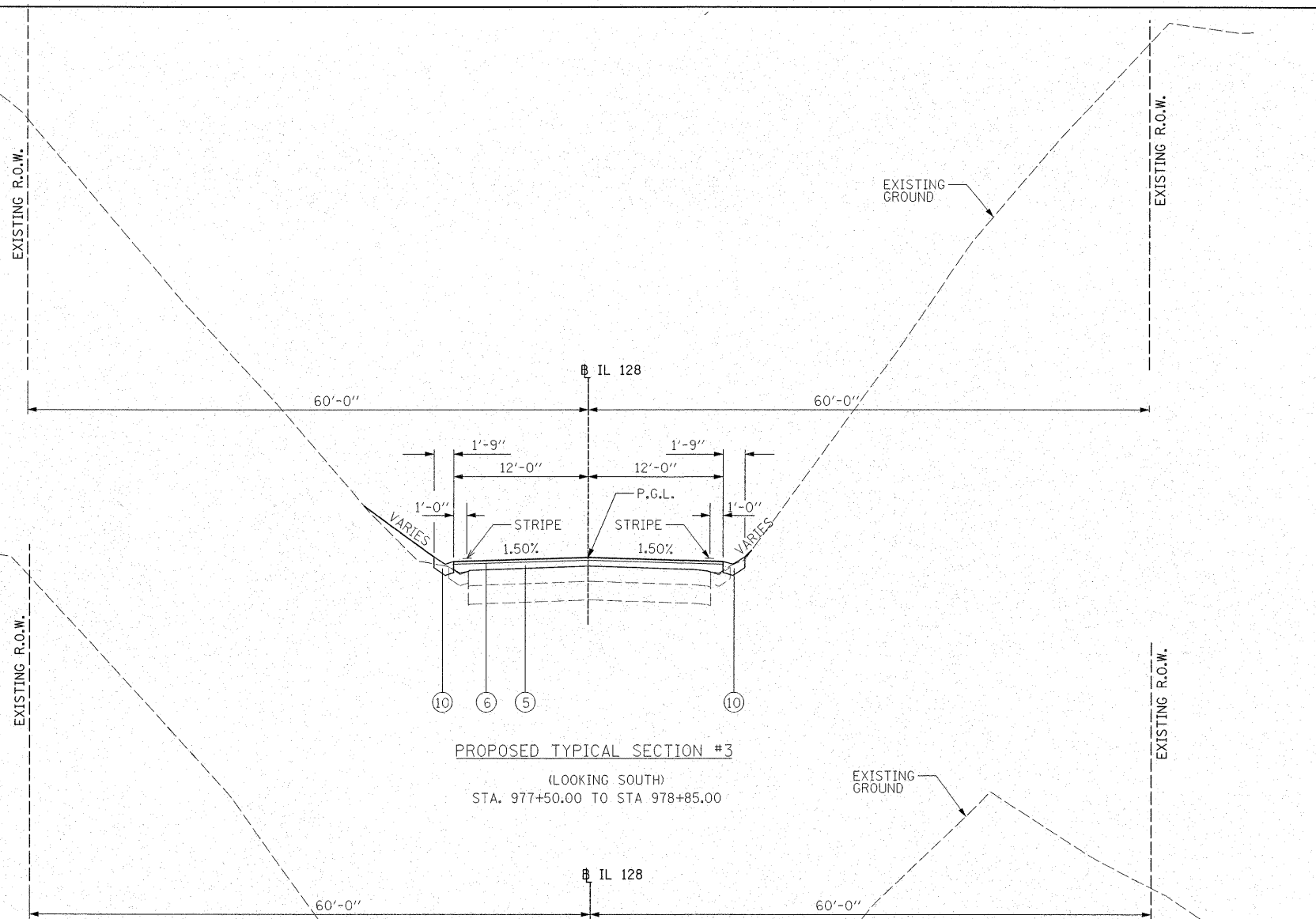


NOTES:

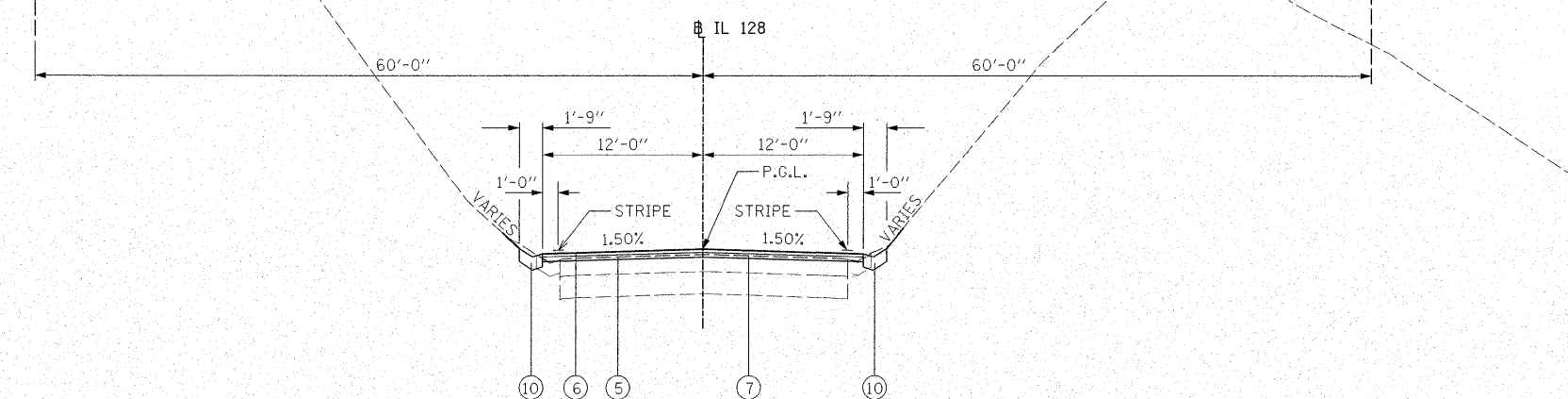
1. SEE CROSS SECTIONS FOR GRADING INFORMATION FROM SHOULDERS.

LEGEND

- ① EXISTING PAVEMENT
- ② EXISTING BITUMINOUS CONCRETE BINDER COURSE 1-1/2"
- ③ EXISTING BITUMINOUS CONCRETE SURFACE COURSE, MIX D, CL. I 1-1/2"
- ④ EXISTING BITUMINOUS SHOULDER (STANDARD 2239)
- ⑤ PROPOSED HMA BINDER COURSE, IL 19.0, N70 VAR.
- ⑥ PROPOSED HMA SURFACE COURSE, MIX C, N70 1-1/2"
- ⑦ PROPOSED HMA SURFACE REMOVAL, VAR. DEPTH
- ⑧ PROPOSED BASE COURSE WIDENING
- ⑨ PROPOSED HMA SHOULDERS (4 1/2")
- ⑩ PROPOSED CONCRETE GUTTER, TYPE B
- ⑪ PROPOSED HMA SHOULDERS (6")



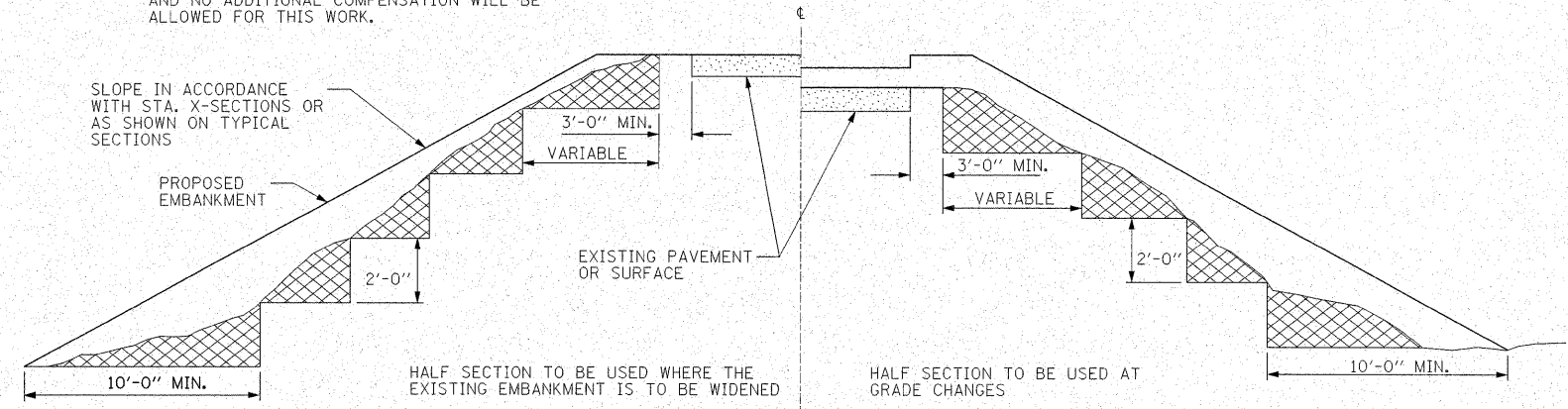
PROPOSED TYPICAL SECTION #3
(LOOKING SOUTH)
STA. 977+50.00 TO STA. 978+85.00



PROPOSED TYPICAL SECTION #4
(LOOKING SOUTH)
STA. 978+85.00 TO STA. 980+50.00

BENCHING DETAIL

MATERIAL TO BE REMOVED AND REPLACED IN THE EMBANKMENT IN ACCORDANCE WITH ART. 205.04 OF THE STANDARD SPECIFICATIONS. COST TO BE INCLUDED IN THE VARIOUS ITEMS OF EXCAVATION AND NO ADDITIONAL COMPENSATION WILL BE ALLOWED FOR THIS WORK.



FILE NAME = \$FILEL\$	USER NAME = \$USER\$	DESIGNED - WLL 10/06/08	REVISED -	STATE OF ILLINOIS DEPARTMENT OF TRANSPORTATION	IL 128 OVER WOLF CREEK PROPOSED TYPICAL SECTIONS	F.A.S. RTE. 2801	SECTION (102B)-1	COUNTY EFFINGHAM	TOTAL SHEETS 51	SHEET NO. 7
PLOT SCALE = \$SCALE\$	CHECKED - GBM 10/14/08	REVISIED -	REVISIED -			CONTRACT NO. 74232				
PLOT DATE = \$DATE\$	DATE - 10/15/08	REVISIED -	REVISIED -			FED. ROAD DIST. NO. ILLINOIS FED. AID PROJECT				
						SCALE: SHEET NO. OF SHEETS STA. TO STA.				