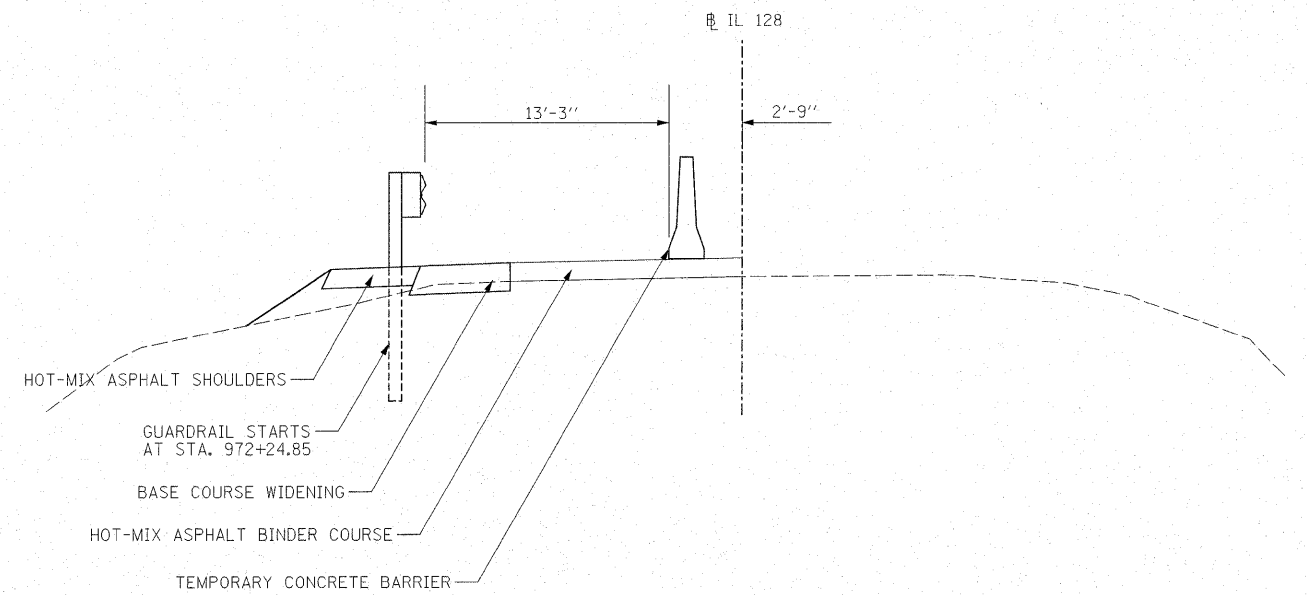
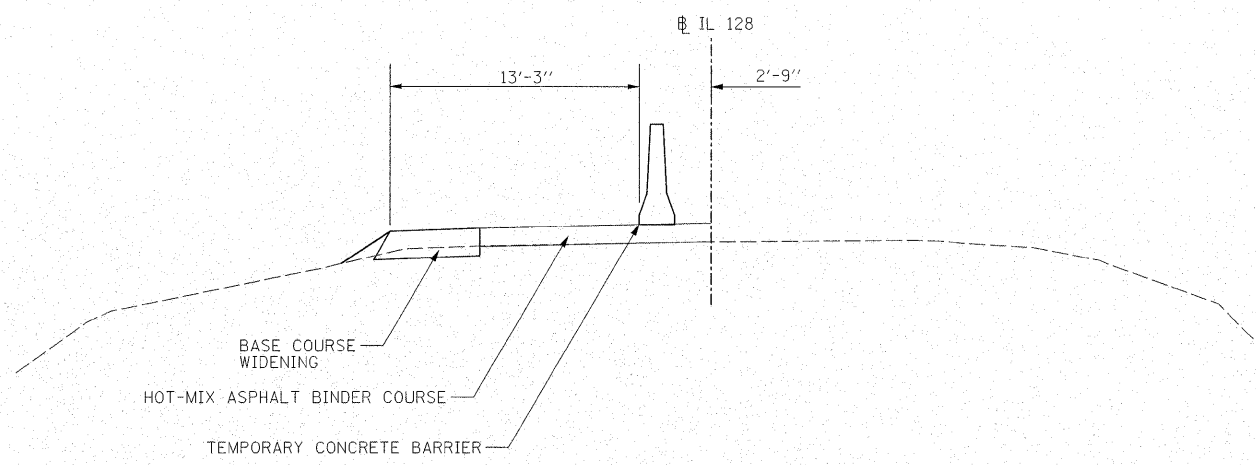


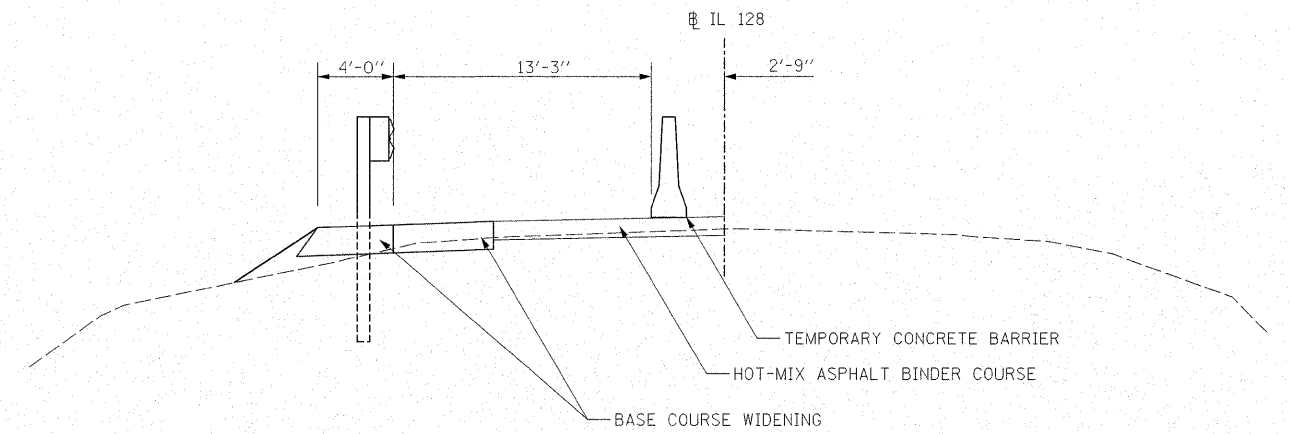
STAGE 1 CONSTRUCTION
BRIDGE OMISSION
STA. 973+80.50 TO STA. 975+71.50



STAGE 2 CONSTRUCTION
STA. 971+90.88 TO STA. 973+44.50
STA. 976+07.50 TO STA. 976+40.00



STAGE 2 CONSTRUCTION
STA. 970+71.00 TO STA. 971+90.88
STA. 976+80.00 TO STA. 977+81.00



STAGE 2 CONSTRUCTION
976+40.00 TO STA. 976+80.00

FILE NAME =	USER NAME = \$USER\$	DESIGNED - JDS 06/26/08	REVISED -	STATE OF ILLINOIS DEPARTMENT OF TRANSPORTATION	IL 128 OVER WOLF CREEK STAGING PLAN DETAILS			F.A.S. RTE.	SECTION	COUNTY	TOTAL SHEETS	SHEET NO.
\$FILEL\$		DRAWN - WLL 07/09/08	REVISED -					2801	(102)B-1	EFFINGHAM	51	20
		CHECKED - GBM 10/14/08	REVISED -		CONTRACT NO. 74232							
		DATE - 10/15/08	REVISED -		SCALE:	SHEET NO.	OF	SHEETS	STA.	TO	STA.	FED. ROAD DIST. NO.