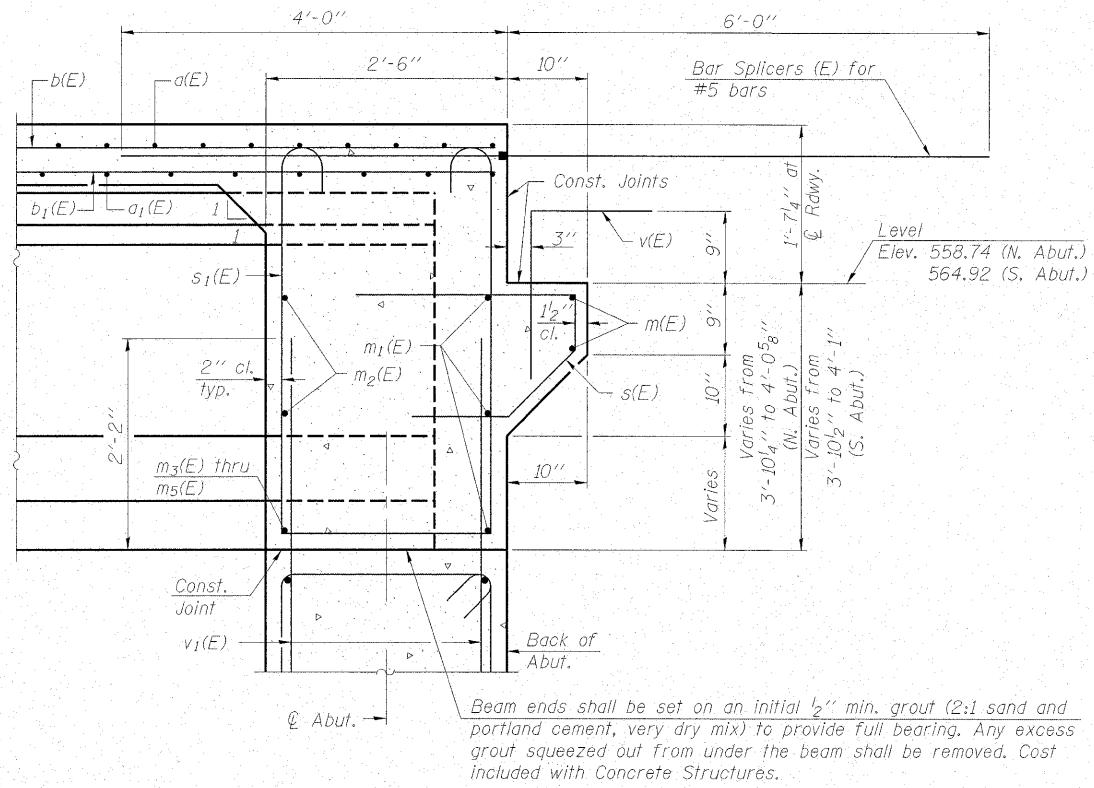


STATE OF ILLINOIS  
DEPARTMENT OF TRANSPORTATION

ROUTE NO.	SECTION	COUNTY	TOTAL SHEETS	SHEET NO.
FAS 2801 IL 128	(102B) B-1	EFFINGHAM	51	35
FED. ROAD DIST. NO. 7	ILLINOIS	FED. AID PROJECT		

SHEET NO. 13  
23 SHEETS

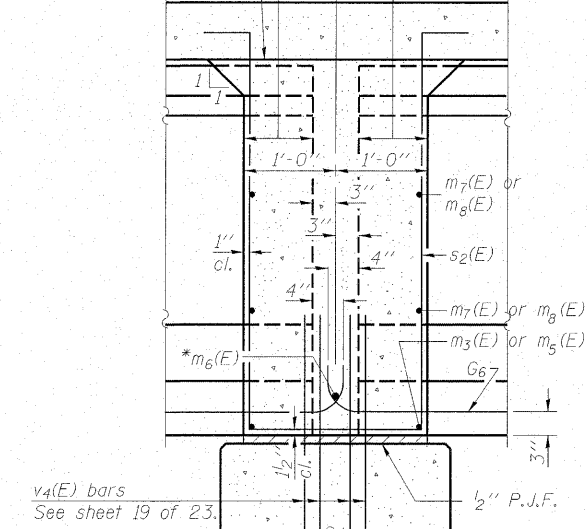
Contract # 74232



SECTION A-A

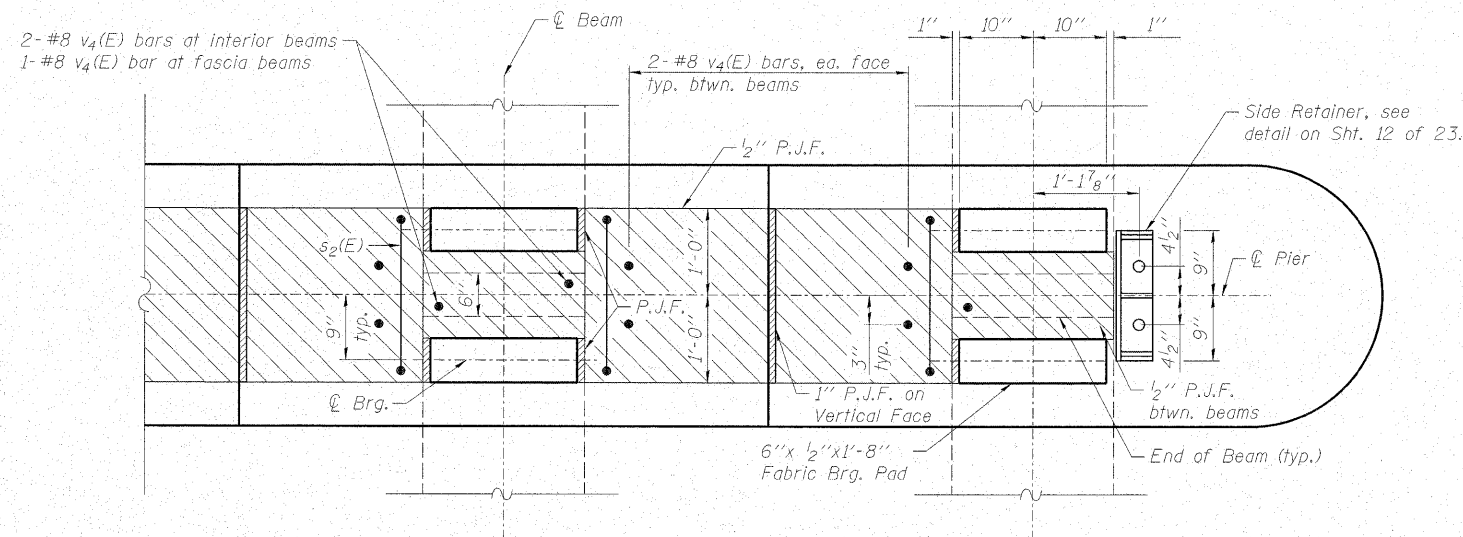
Pour diaphragm flush with bott. of slab. Concrete in slab above this line shall be placed not less than 45 min. nor more than 90 min. after diaphragm has been poured.

Roofing felt shall be bonded to side of beam embedded into diaphragm.



SECTION B-B

\* Tightly fasten the #8 bars together with No. 9 wire ties.



PLAN AT PIER  
(Showing bearing pad and P.J.F. details)

Note:  
See sheet 12 of 23 for location of Sections A-A and B-B.



DESIGNED -	BAS
CHECKED -	KEF
DRAWN -	SGM
CHECKED -	RJA

DIAPHRAGM DETAILS  
IL ROUTE 128 OVER WOLF CREEK  
F.A.S. RTE. 2801 - SECTION (102B)B-1  
EFFINGHAM COUNTY  
STATION 974+76.00  
STRUCTURE NO. 025-0105