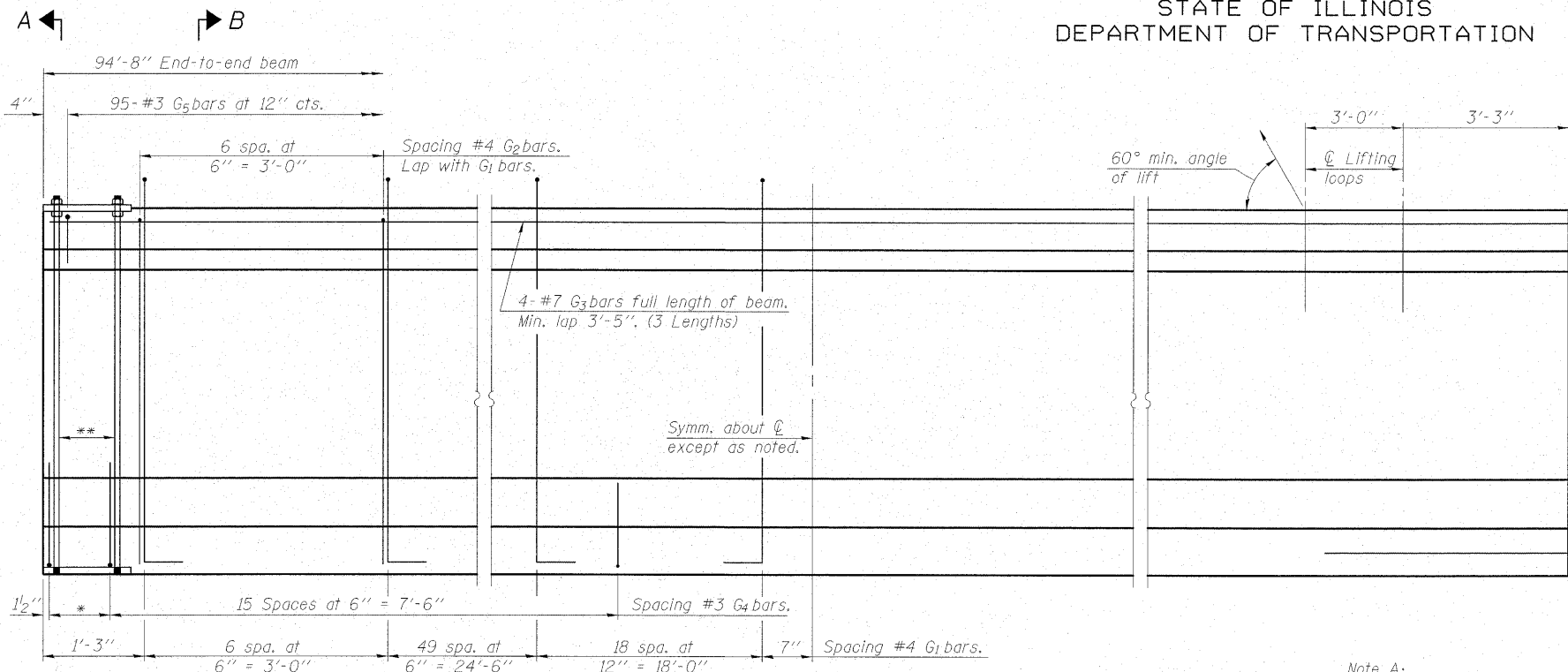


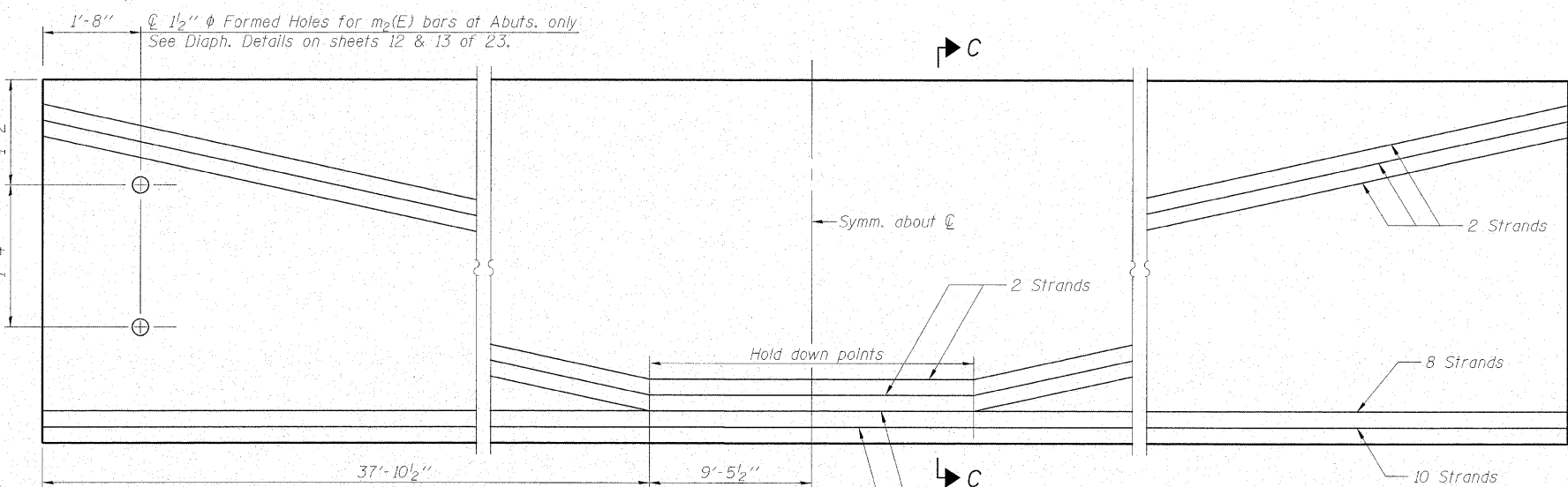
STATE OF ILLINOIS
DEPARTMENT OF TRANSPORTATION

ROUTE NO.	SECTION	COUNTY	TOTAL SHEETS	SHEET NO.	SHEET NO. 15 23 SHEETS
FAS 2801 TL 128	(102B) B-1	EFFINGHAM	51	37	
FED. ROAD DIST. NO. 7	ILLINOIS	FED. AID PROJECT-			
Contract # 74232					



ELEVATION OF BEAM
(Showing reinforcement & dimensions)

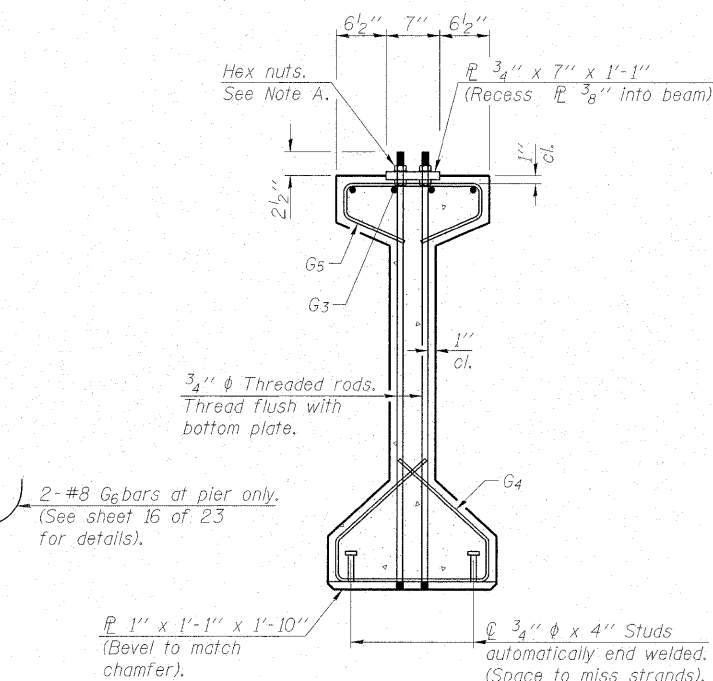
*3 spaces at 3" = 9"
**4-3/4" ϕ threaded dowel rods at 3" cts., Each Face.



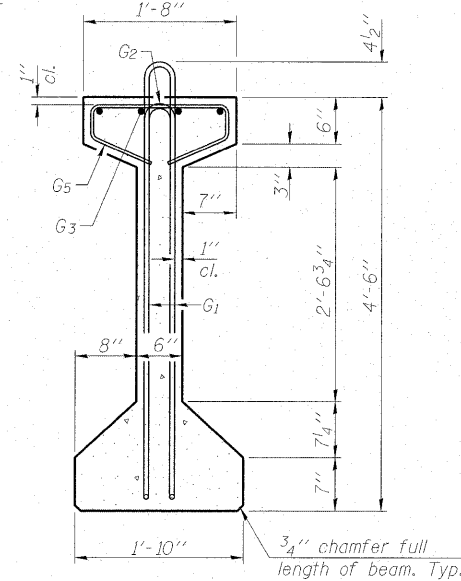
ELEVATION OF BEAM
(Showing prestressing steel)



DESIGNED -	BAS
CHECKED -	KEF
DRAWN -	SGM
CHECKED -	RJA



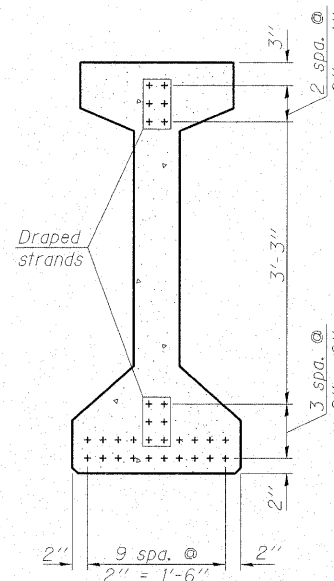
SECTION A-A



SECTION B-B

Note A:
Hex nuts (top and bottom) with lock washers (top). Only tighten sufficiently to compress lock washers.

1" x 1'-1" x 1'-10" ϕ 3/4" ϕ x 4" Studs automatically end welded. (Space to miss strands).



SECTION C-C

*****BAR LIST
ONE BEAM ONLY**

Bar	No.	Size	Length	Shape
G1	148	#4	10'-5"	U
G2	14	#4	8'-8"	U
G3	12	#7	33'-10"	U
G4	38	#3	4'-11"	U
G5	95	#3	3'-5"	U
G6	2	#8	3'-9"	U

***For information only

Notes:
See sheet 16 of 23 for additional details and Bill of Material.
Required release strength, f'ci, shall be 6000 psi.

54" PPC I-BEAM
IL ROUTE 128 OVER WOLF CREEK
F.A.S. RTE. 2801 - SECTION (102B)B-1
EFFINGHAM COUNTY
STATION 974+76.00
STRUCTURE NO. 025-0105