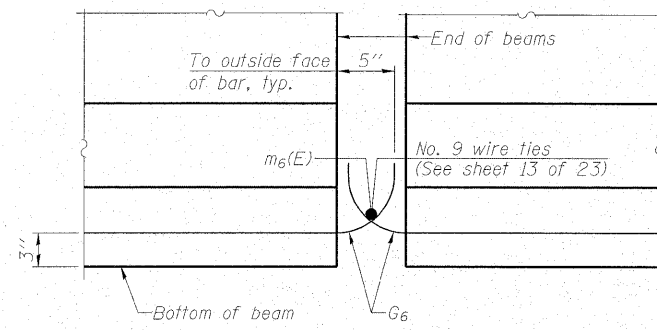


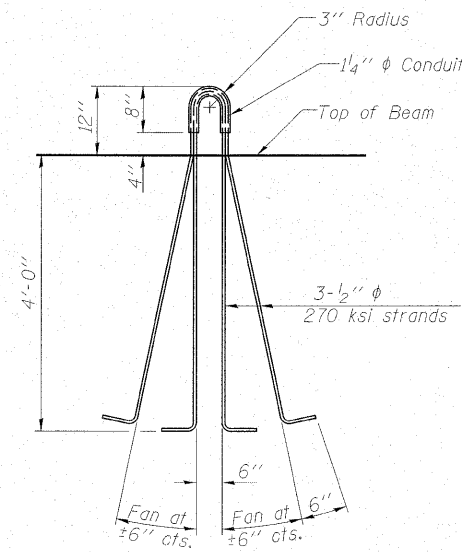
STATE OF ILLINOIS
DEPARTMENT OF TRANSPORTATION

ROUTE NO.	SECTION	COUNTY	TOTAL SHEETS	SHEET NO.	SHEET NO. 16 23 SHEETS
FAS 2801 IL 128	(102B) B-1	EFFINGHAM	51	38	
FED. ROAD DIST. NO. 7	ILLINOIS	FED. AID PROJECT			

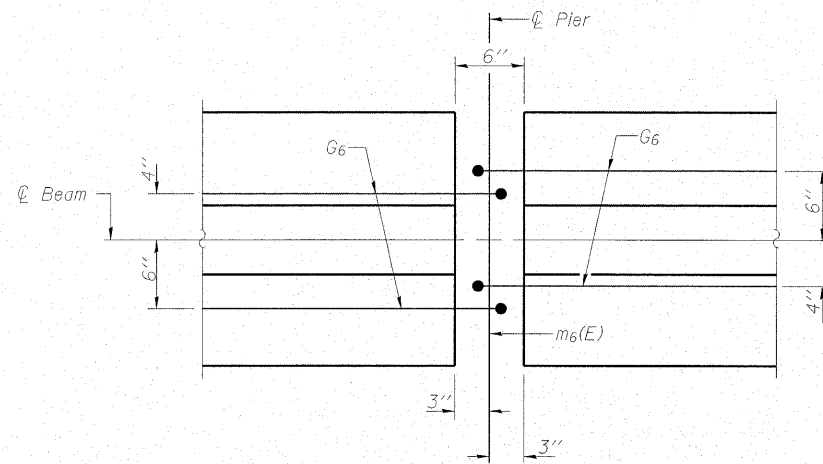
Contract # 74232



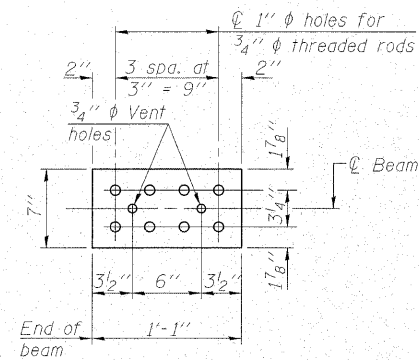
ELEVATION OF BEAM AT PIER



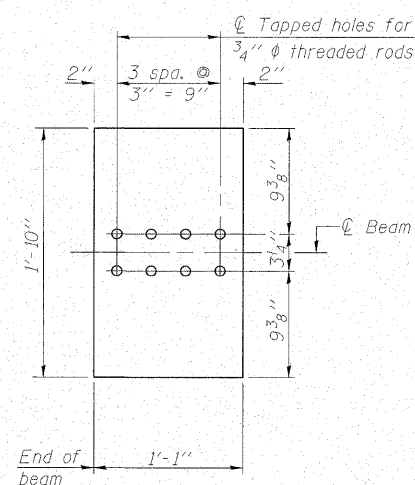
LIFTING LOOP DETAIL



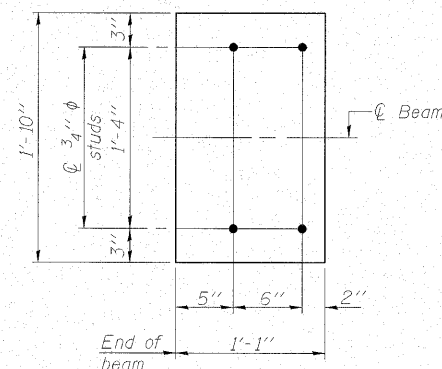
PLAN OF BEAM AT PIER



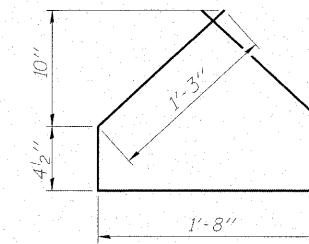
TOP PLATE



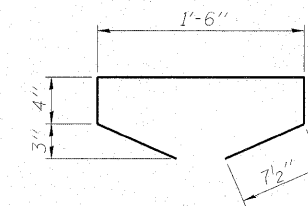
BOTTOM PLATE
(Showing threaded rods)



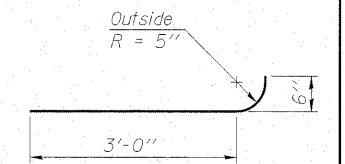
BOTTOM PLATE
(Showing studs)



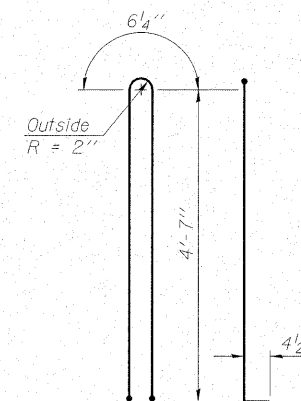
BAR G4



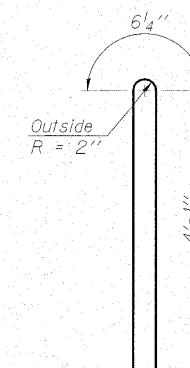
BAR G5



BAR G6



BAR G1



BAR G2

BILL OF MATERIAL

Item	Unit	Total
Furnishing and Erecting Precast Prestressed Concrete I-Beams, 54"	Ft.	1136

54" PPC I-BEAM DETAILS
IL ROUTE 128 OVER WOLF CREEK
F.A.S. RTE. 2801 - SECTION (102B)B-1
EFFINGHAM COUNTY
STATION 974+76.00
STRUCTURE NO. 025-0105



DESIGNED - BAS
CHECKED - KEF
DRAWN - SGM
CHECKED - RJA